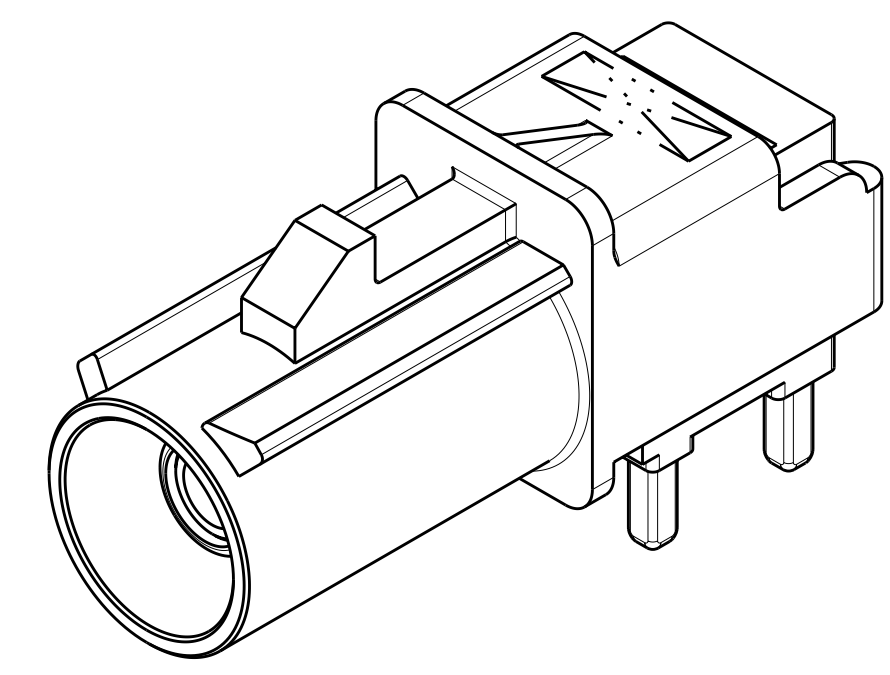
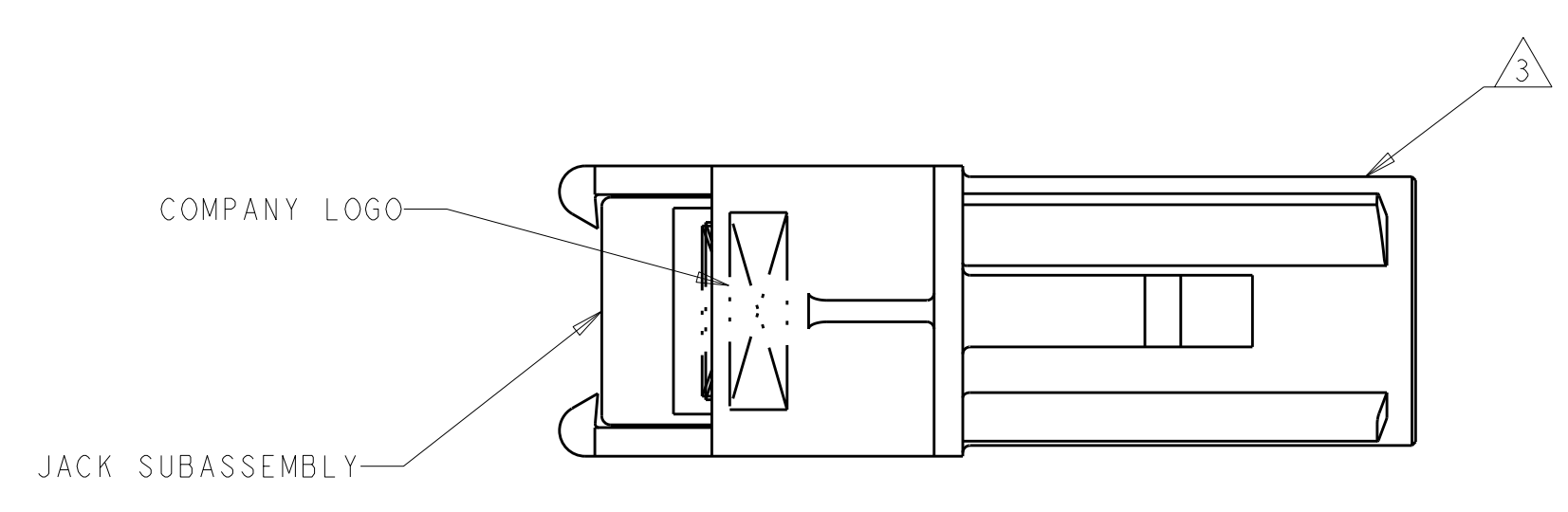
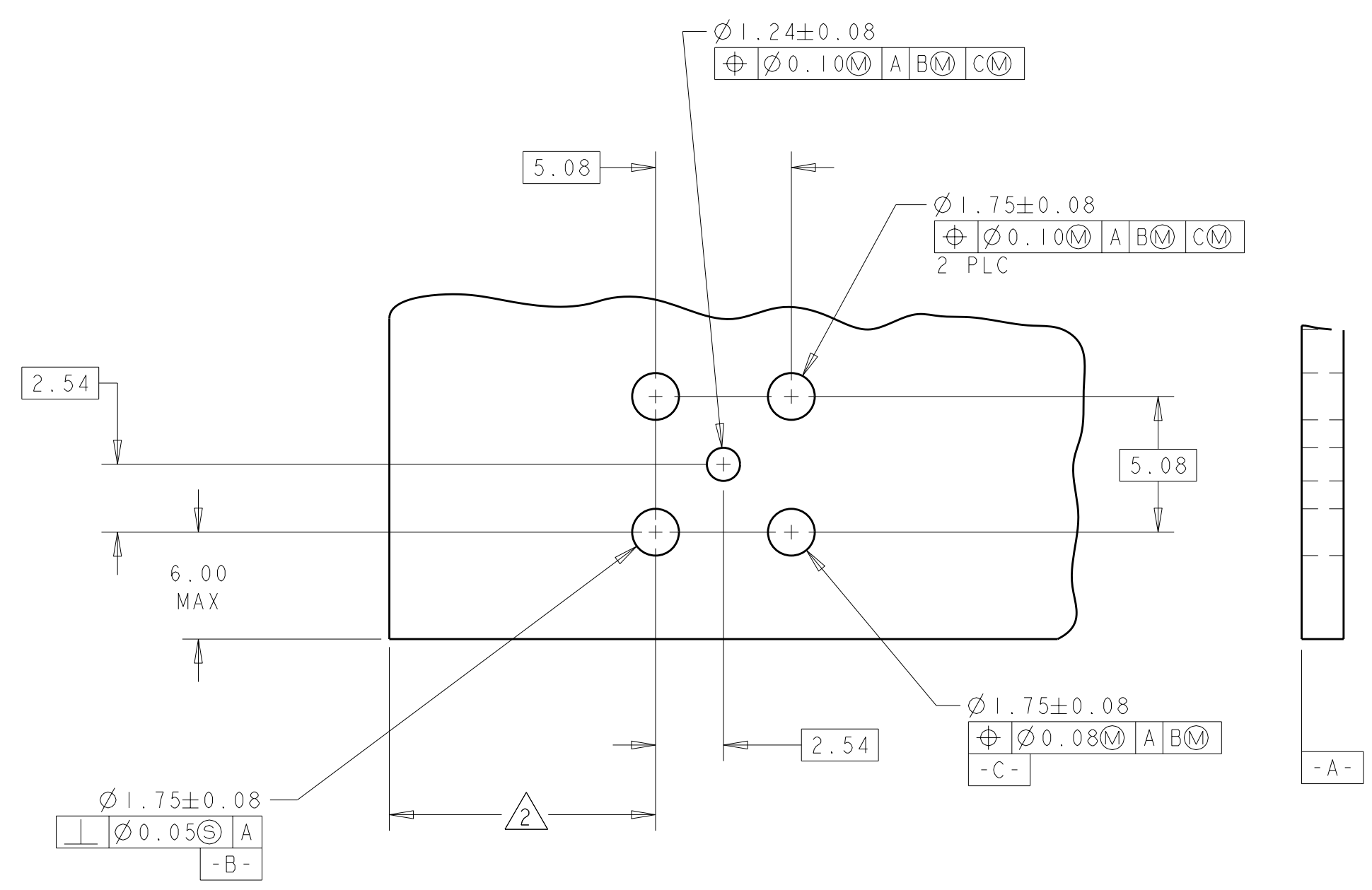
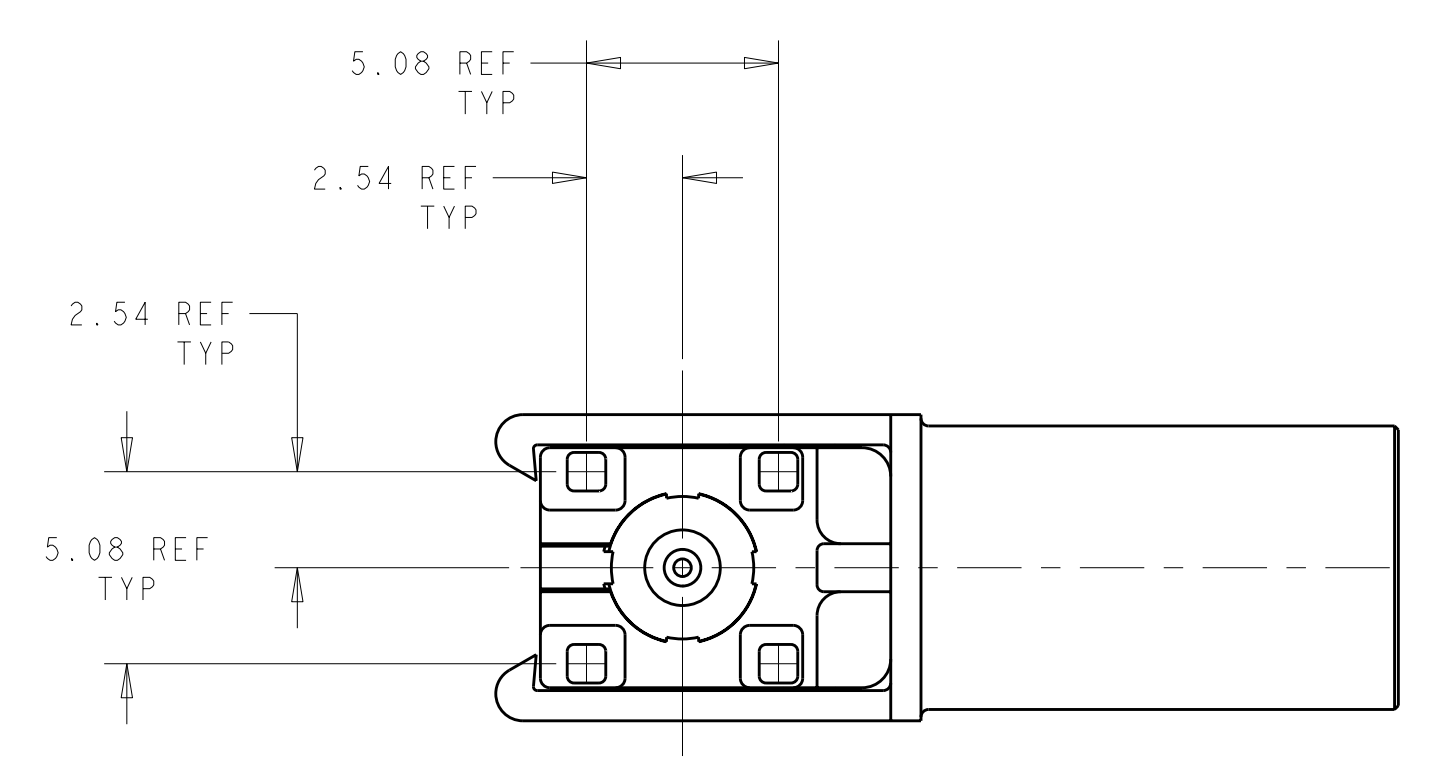
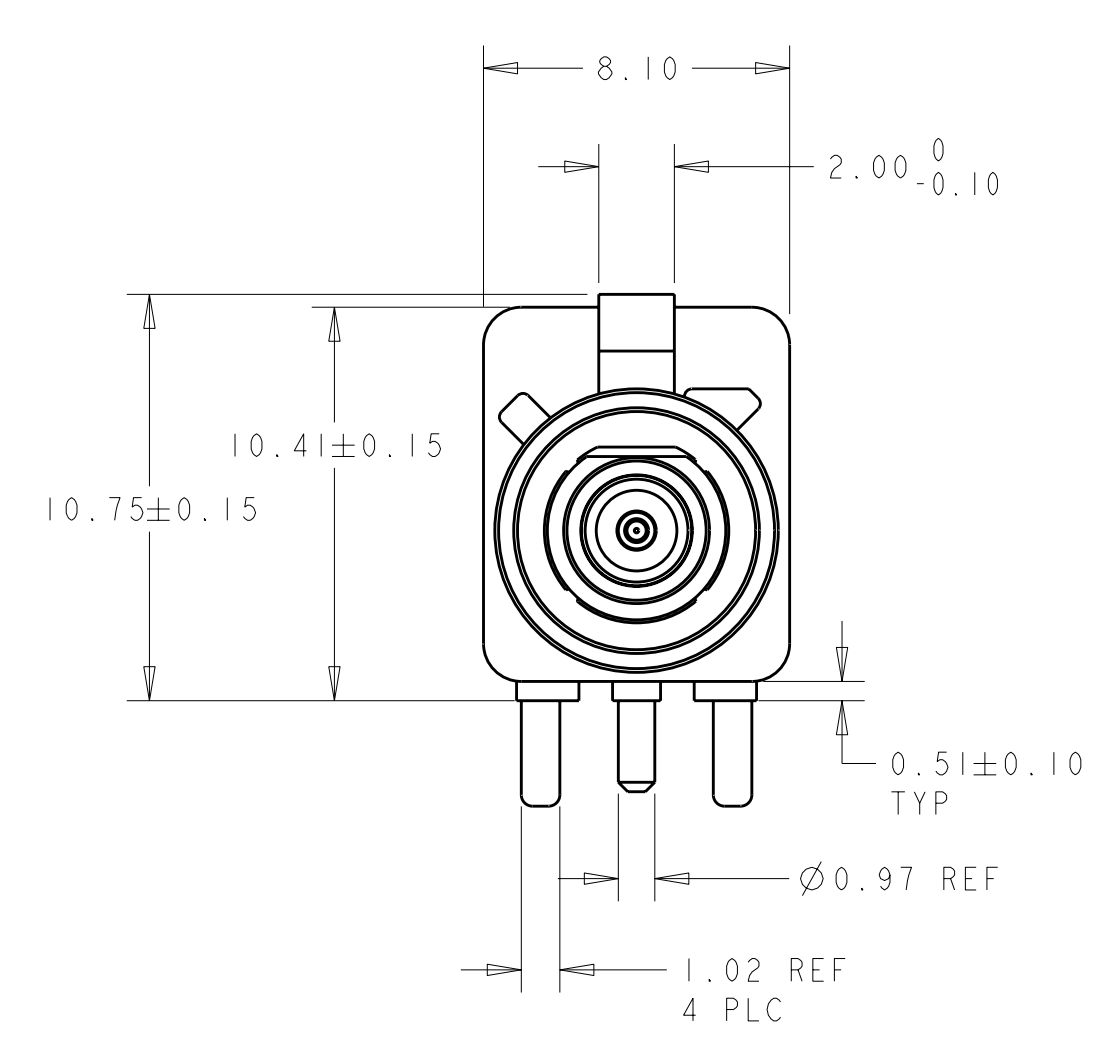
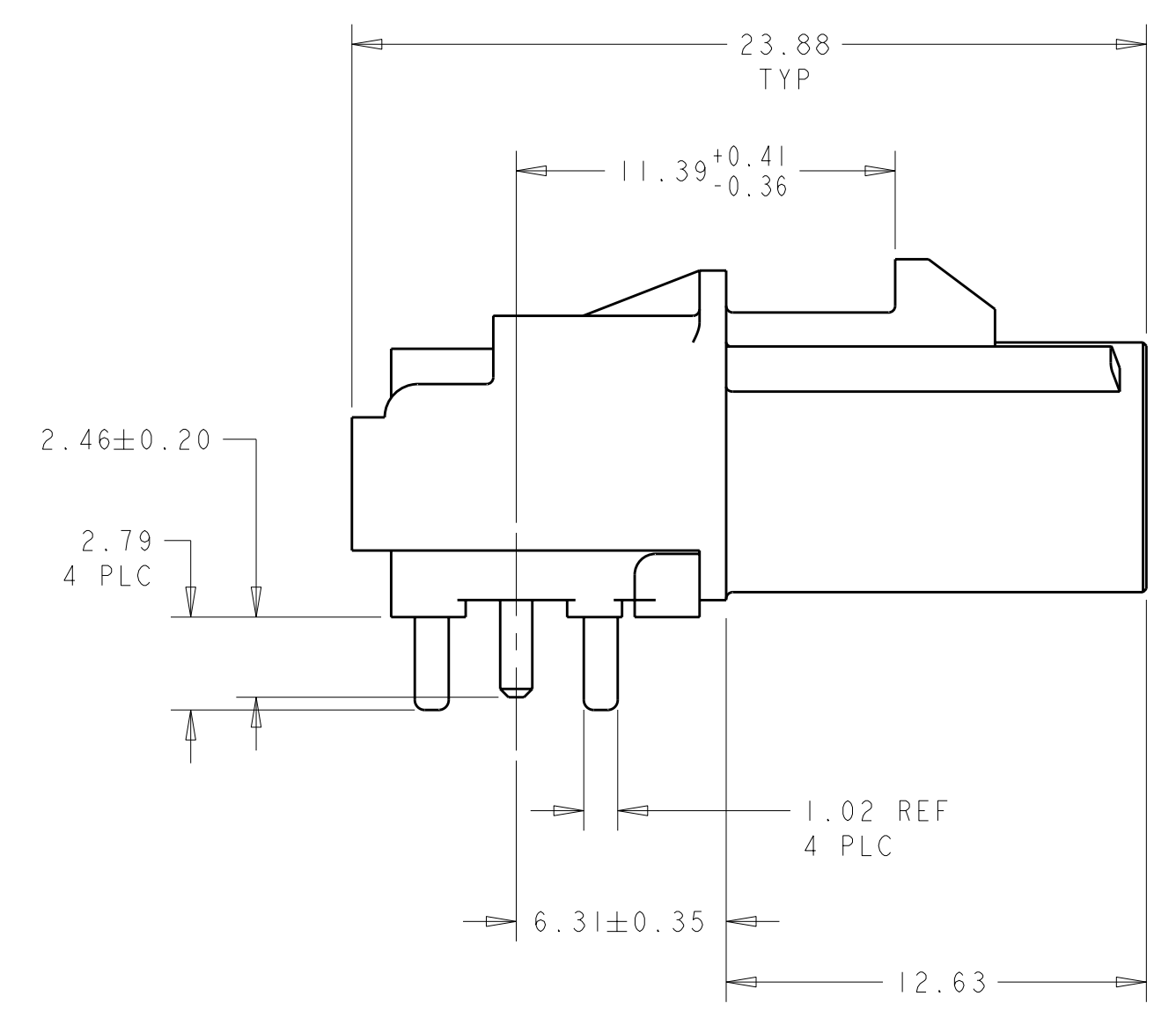


LOC	DIST	REV	DATE	BY	CHK	APP
FX	00	J1	12MAR2011	RK	HMR	



- △ MATERIAL:
 HOUSING: PBT
 JACK: ZINC
 PIN: BRASS
 DIELECTRIC - REAR: POLYMETHYLPENTENE AND FRONT: TEFLON
- △ DIMENSION ESTABLISHED BY CUSTOMER RELATIVE TO LOCATION ON PCB.
- △ JACK INTERFACE PER SAE/USCAR-18, FAKRA SMB RF CONNECTOR SUPPLEMENT
- △ FINISH:
 JACK: JACK - PLATE 2.0µm - 4.0µm TIN OVER 1.52µm - 4.06µm BRIGHT NICKEL OVER 2.54µm COPPER FLASH
 PIN: 1.27µm MINIMUM THICK GOLD OVER 1.3µm MINIMUM THICK NICKEL



RECOMMENDED PC BOARD LAYOUT

PER DETAIL	KEYING	KEY CODE	JACK HOUSING COLOR	PART NUMBER
PER DETAIL Z	Z		WATERBLUE	1-638817-1
PER DETAIL K	K		CURRY	1-638817-0
PER DETAIL I	I		BEIGE	638817-9
PER DETAIL H	H		VIOLET	638817-8
PER DETAIL G	G		GREY	638817-7
PER DETAIL F	F		BROWN	638817-6
PER DETAIL E	E		GREEN	638817-5
PER DETAIL D	D		BORDEAUXVIOLET	638817-4
PER DETAIL C	C		BLUE	638817-3
PER DETAIL B	B		SIGNAL WHITE	638817-2
PER DETAIL A	A		BLACK	638817-1

THIS DRAWING IS A CONTROLLED DOCUMENT.

OWN: D. HARDY 05JUL00
 CHK: J.W. HALL 06JUL00
 APVD: J.W. HALL 06JUL00

DIMENSIONS: mm
 TOLERANCES UNLESS OTHERWISE SPECIFIED:
 9 PLC ±
 3 PLC ±0.25
 5 PLC ±
 4 PLC ±
 ANGLES ±

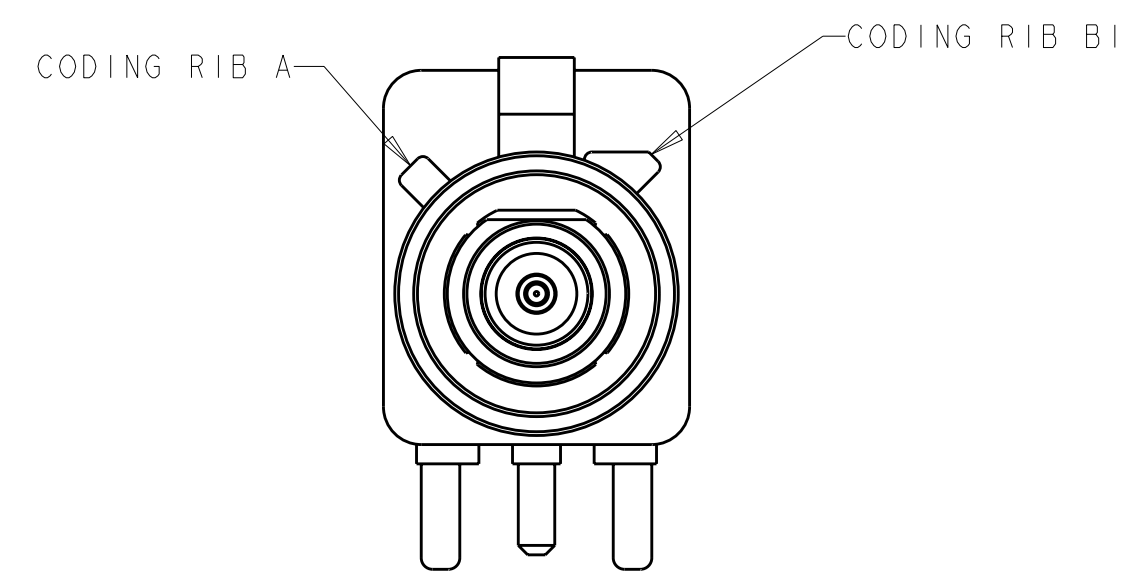
MATERIAL: △
 FINISH: △4

PRODUCT SPEC: 108-2054
 APPLICATION SPEC: 114-13043
 WEIGHT: 4.10 g

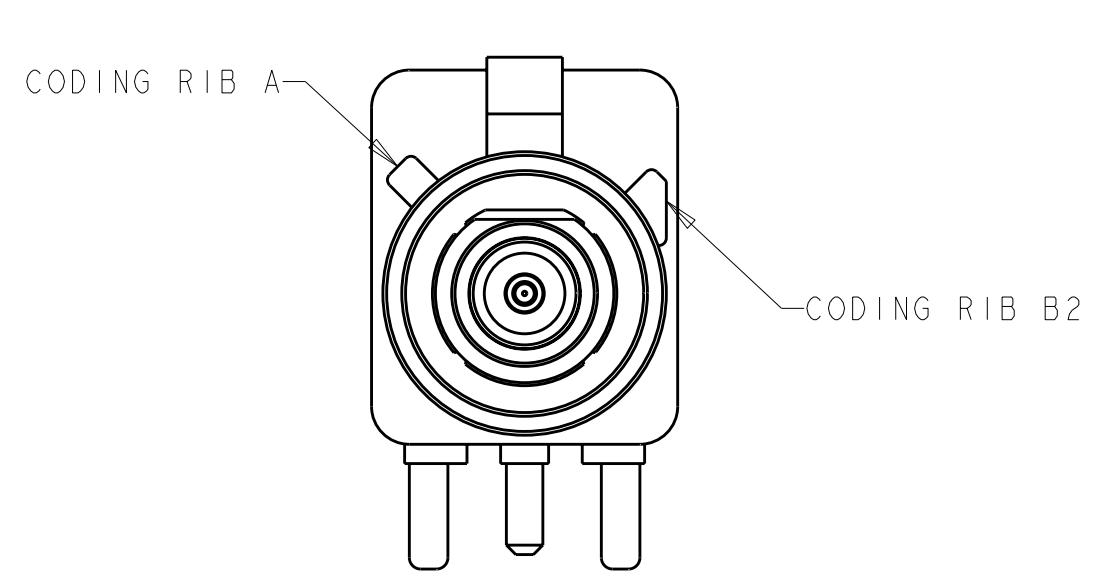
NAME: JACK ASSEMBLY, FAKRA, 1 POSITION, RIGHT ANGLE, PCB, 50 Ohm, SMB
 SIZE: CAGE CODE DRAWING NO: A1100779C-638817
 RESTRICTED TO: -

CUSTOMER DRAWING SCALE: 5:1 SHEET 1 OF 2 REV J1

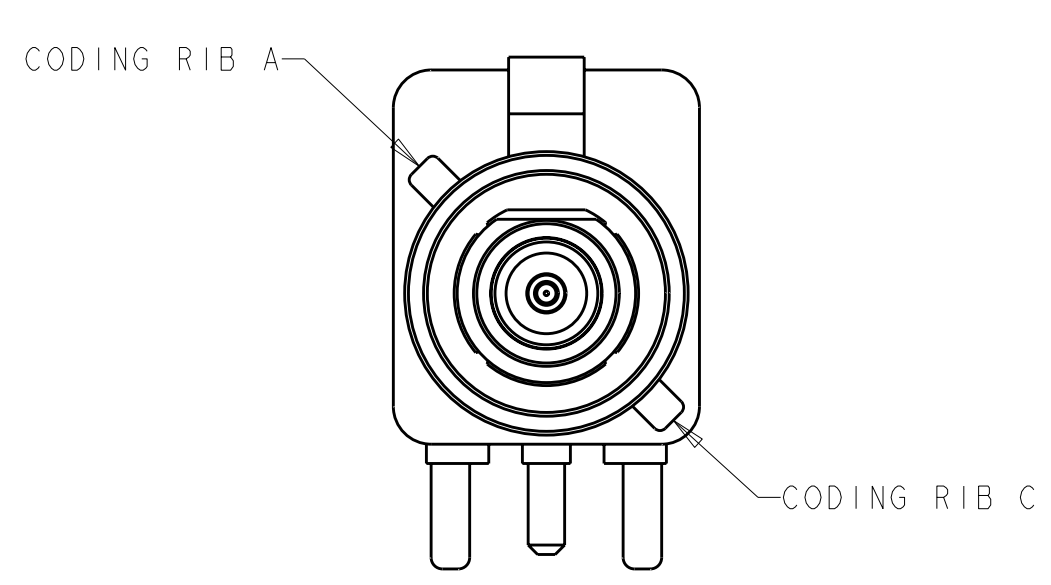
LOC	DIST	REVISIONS			
		REV	DATE	BY	APPD
FX	00	-	-	-	-
		SEE SHEET 1			



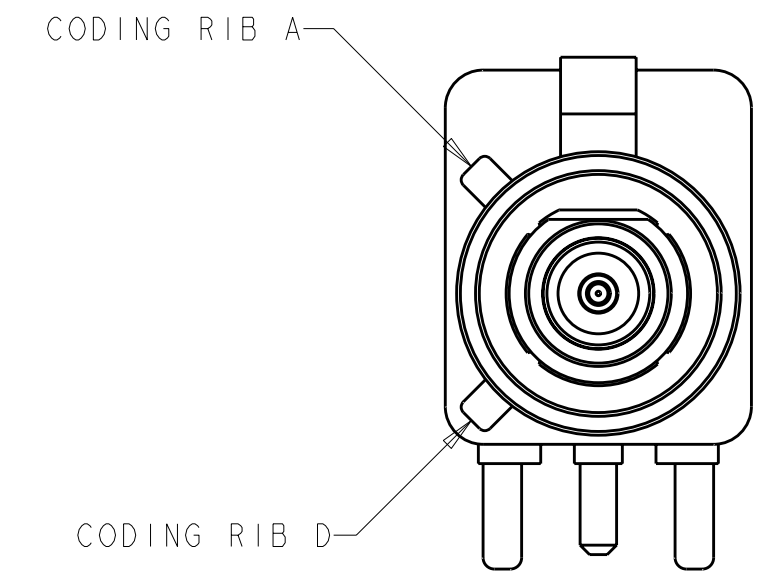
DETAIL A



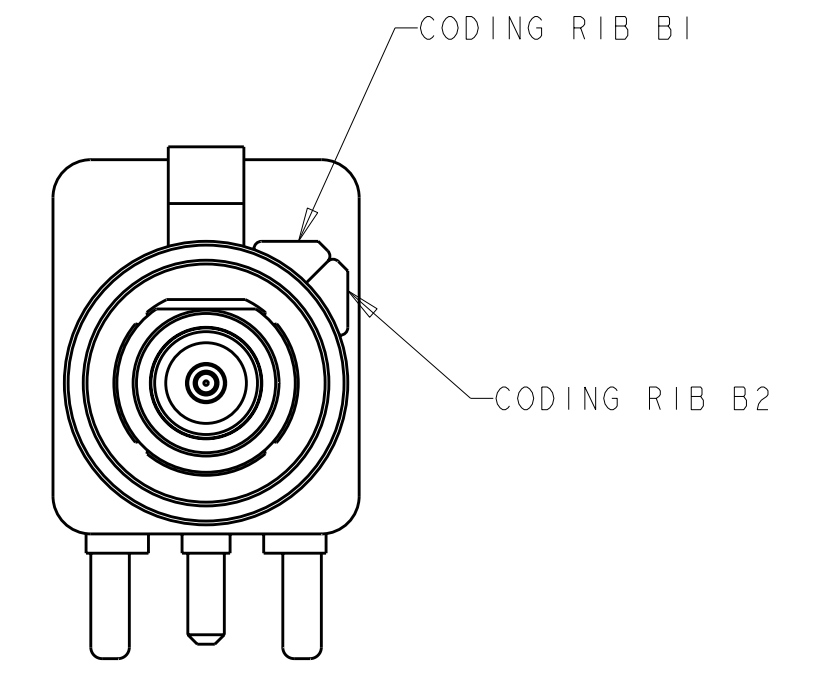
DETAIL B



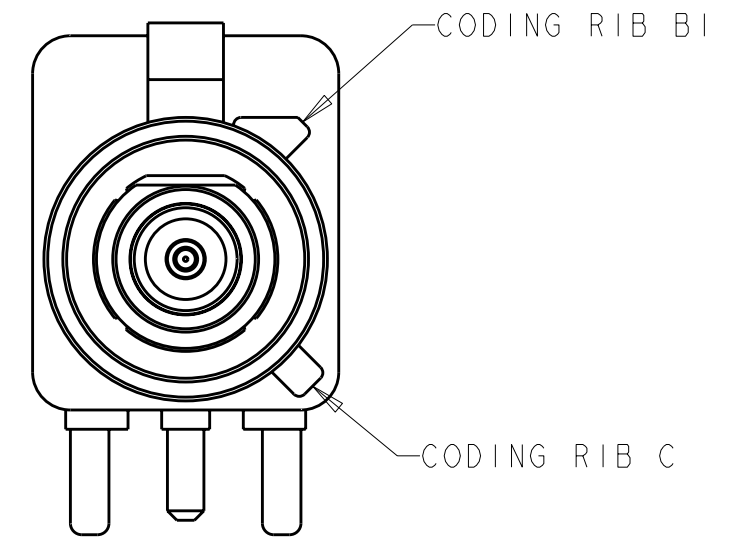
DETAIL C



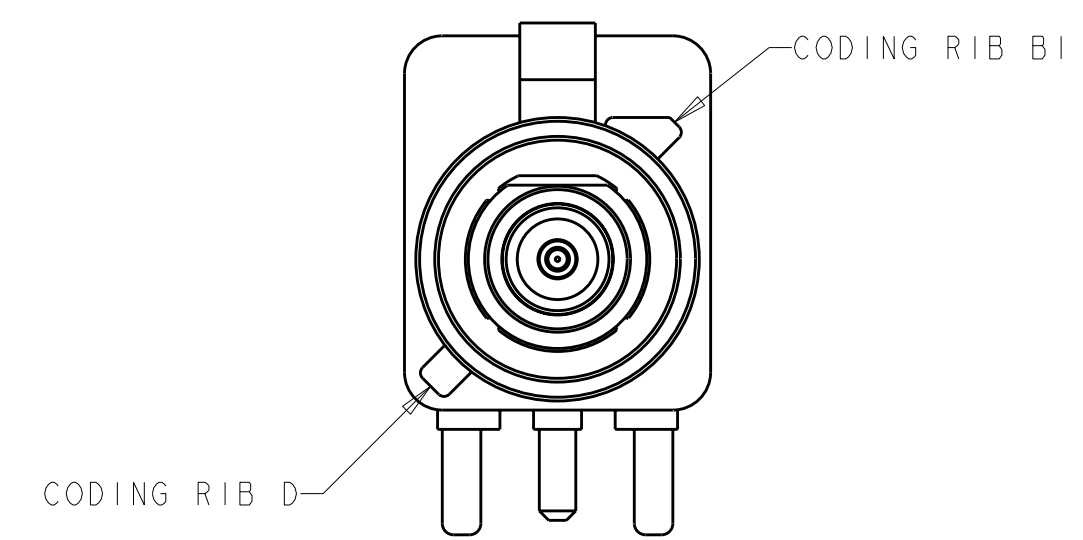
DETAIL D



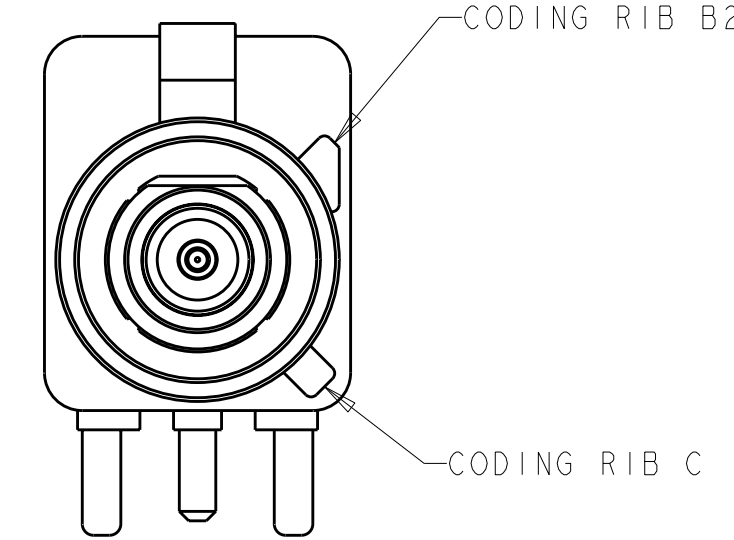
DETAIL E



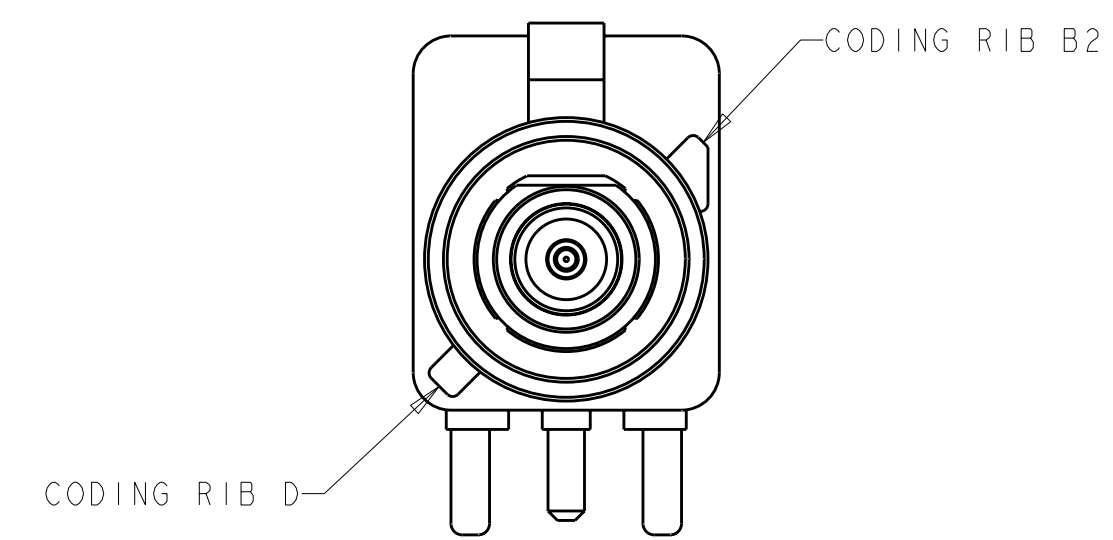
DETAIL F



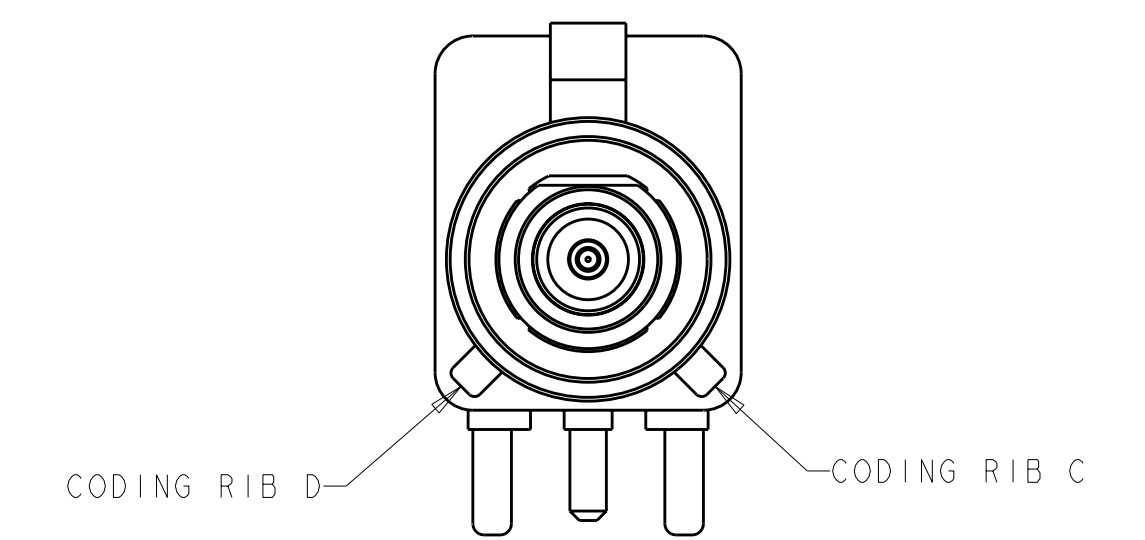
DETAIL G



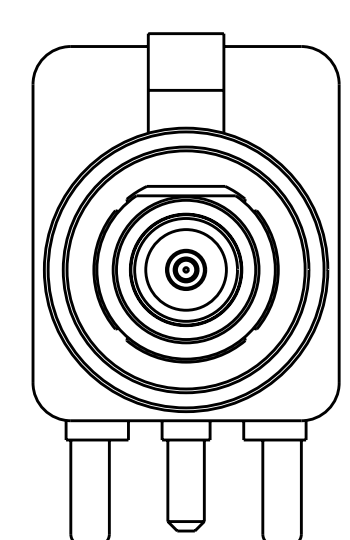
DETAIL H



DETAIL I



DETAIL K



DETAIL Z

THIS DRAWING IS A CONTROLLED DOCUMENT.		OWN: D. HARDY 05JUL00	TE Connectivity NAME: JACK ASSEMBLY, FAKRA, 1 POSITION, RIGHT ANGLE, PCB, 50 Ohm, SMB PRODUCT SPEC: - APPLICATION SPEC: - WEIGHT: - CUSTOMER DRAWING
DIMENSIONS: mm		CHK: J.W. HALL 06JUL00	
TOLERANCES UNLESS OTHERWISE SPECIFIED: 9 PLC ± 2 PLC ±0.25 5 PLC ± 4 PLC ± ANGLES ± FINISH -		APVD: J.W. HALL 06JUL00	
MATERIAL: -		SIZE: A100779	DRAWING NO: C-638817
		SCALE: 5:1	SHEET: 2 OF 2

Mouser Electronics

Authorized Distributor

Click to View Pricing, Inventory, Delivery & Lifecycle Information:

[TE Connectivity:](#)

[638817-4](#)