

4

3

2

1

THIS DRAWING IS UNPUBLISHED.

RELEASED FOR PUBLICATION

© COPYRIGHT

ALL RIGHTS RESERVED.

LOC DIST

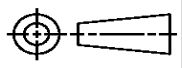
REVISIONS

P	LTR	DESCRIPTION	DATE	DWN	APVD
	A1	ECR-14-015396	26DEC2014	GK	HMR

REPLACED BY OCEAN STYLE APPLICATOR PART NUMBER 2266440-1

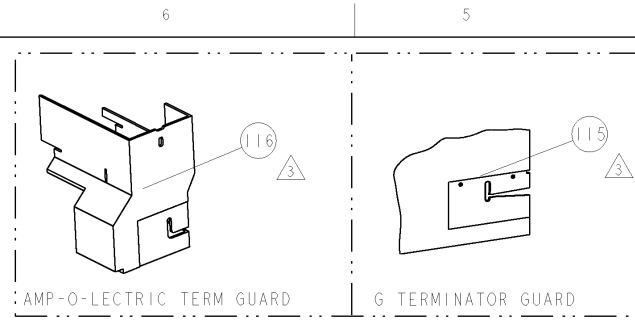
FOR REPLACEMENT PARTS FOR APPLICATOR 1852482 REFER TO ADDITIONAL PAGE(S). SPARE PARTS KIT (IF LISTED) WILL REMAIN AVAILABLE.

THE REPLACEMENT OCEAN STYLE APPLICATOR HAS THE SAME TERMINATOR/PRESS INTERFACE AS APPLICATOR 1852482

THIS DRAWING IS A CONTROLLED DOCUMENT.		DWN	GOPALAKRISHNA HV	
DIMENSIONS:		CHK	RAGHAVENDRA	
		APVD	RAGHAVENDRA	
TOLERANCES UNLESS OTHERWISE SPECIFIED:		PRODUCT SPEC	NAME	
0 PLC	±	APPLICATION SPEC	SIDE FEED HDM APPLICATOR	
1 PLC	±	SIZE	CAGE CODE	DRAWING NO
2 PLC	±	A3		©- 1852482
3 PLC	±	RESTRICTED TO		
4 PLC	±			
ANGLES	±	WEIGHT		
MATERIAL	FINISH	CUSTOMER DRAWING	SCALE	SHEET 1 OF 2 REV A1



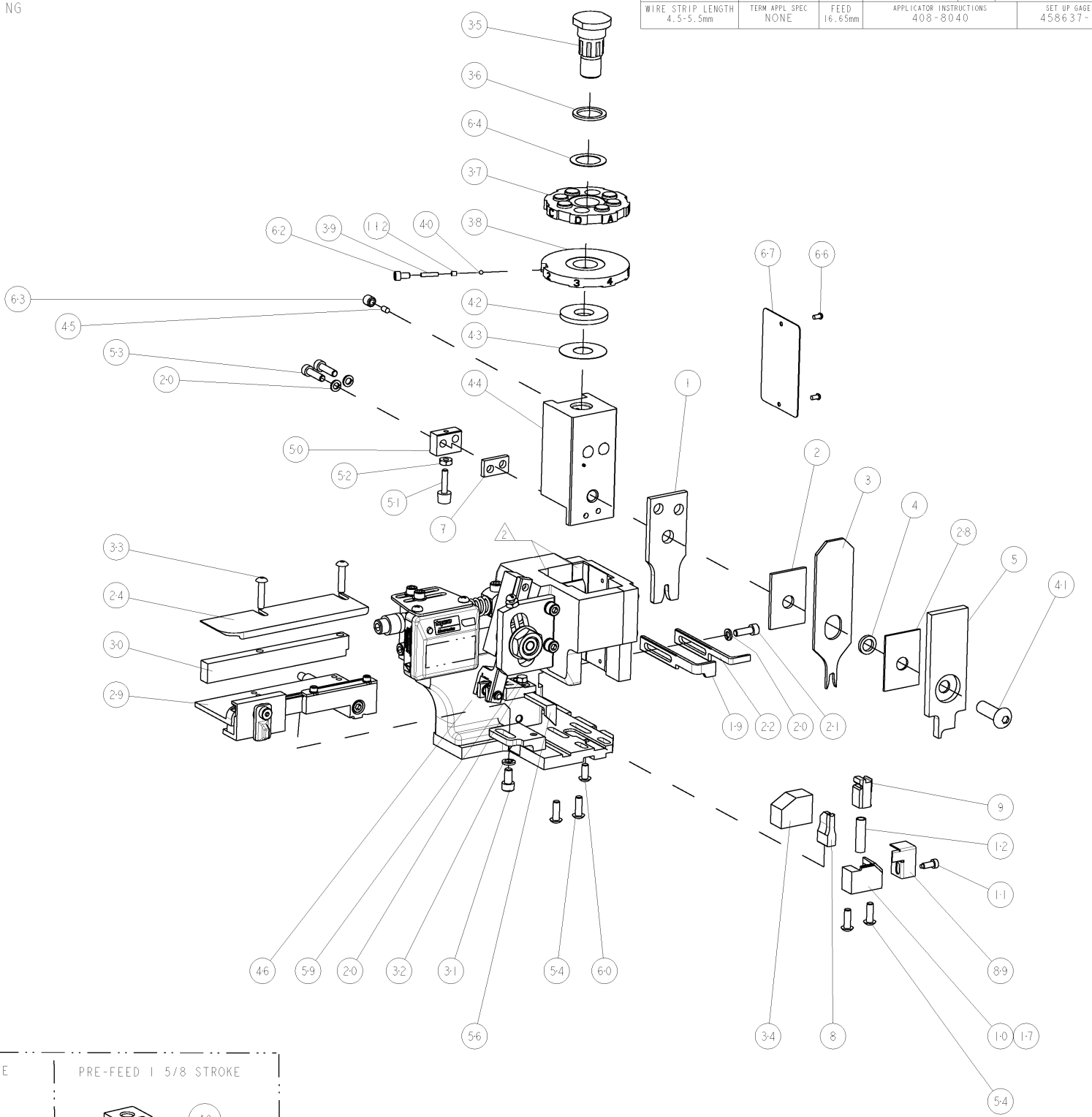
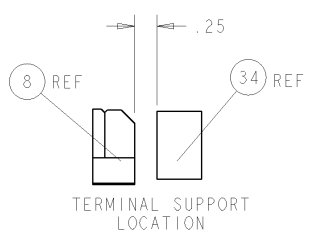
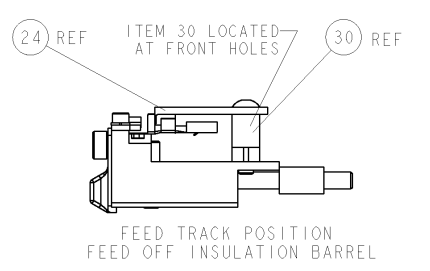
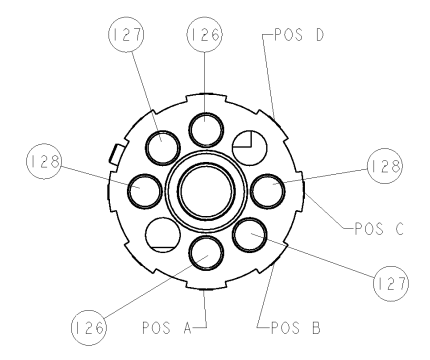
PART NUMBER	REV	FIRST USED	POWER UNIT	FEED TYPE	DESCRIPTION
1852482-1	A	122500-1	LEADMAKER	POST FEED	CUTS CARRIER
1852482-2	A	565435-5	BENCH MODEL K	PRE FEED	CUTS CARRIER
1852482-3	A	354500-1	BENCH MODEL G	PRE FEED	CUTS CARRIER
1852482-6	A	122500-1	LEADMAKER	POST FEED	CONTINUOUS CARRIER
7-1852482-7	A	-	-	-	SPARE PARTS



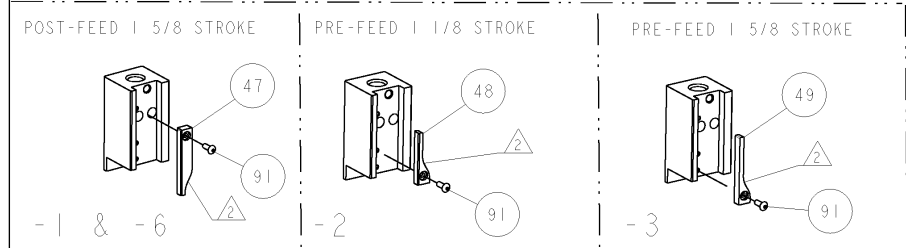
TYCO PN		YAZAKI PN		YAZAKI TERMINAL - YAZAKI CRIMP SPECS	
1832673-1	7116-4112-02				
1572103-1	7116-4112-02	PAD LTR		CRIMP HEIGHT	WIRE SIZE
1572103-2	7116-4116-02	A		1.70±0.05mm [.067±.002]	2.5mm2
1949104-1	7114-4112-02	B		1.60±0.05mm [.063±.002]	2mm2
1949104-2	7114-4116-02	C		1.50±0.05mm [.059±.002]	1.5mm2
		D			
				CRIMP	SIZE
				WIRE	2.69mm [.106]
				INSUL	3.68mm [.145]
					OV
					2.5mm max
WIRE STRIP LENGTH	TERM APPL SPEC	FEED	APPLICATOR INSTRUCTIONS	SET UP GAUGE	
4.5-5.5mm	NONE	16.65mm	408-8040	458637-1	

LOC	DIST	REV	DESCRIPTION	DATE	BY	APPD
A	66		RELEASED	30MAY2007	BH	BH

- △ RECOMMENDED SPARE PARTS
- △ GREASE LIGHTLY
- △ GUARD MUST BE IN PLACE WHEN OPERATING APPLICATOR IN A BENCH MACHINE



-	2	2	2	2	-	1-354779-9	PIN, WIRE DISC, .3085	128
-	2	2	2	2	-	1-354779-3	PIN, WIRE DISC, .3055	127
-	2	2	2	2	-	354779-5	PIN, WIRE DISC, .3015	126
-	-	-	REF	-	...	455749-1	GUARD WINDOW	116
-	-	REF	-	-	...	679532-1	INSERT, GUARD	115
-	1	1	1	1	-	690603-1	SPRING ASSIST AMP-O-MATOR APPLICATOR	112
-	1	1	1	1	-	1-21002-7	SCR, BTN SKT HD CAP 6-32 X .375	91
-	1	1	1	1	-	318563-1	GUARD, FRONT CHIP	89
-	1	1	1	1	-	4088040	SF APPL INST 408-8040	72
-	1	1	1	1	-	217238-1	GENERAL INSTRUCTION PKG	71
-	1	1	1	1	-	461264-1	PLATE, IDENTIFICATION	67
-	2	2	2	2	-	21017-2	SCREW, DRIVE	66
-	1	1	1	1	-	986950-1	WASHER, FLAT PRECISION	64
-	1	1	1	1	-	21009-2	SCR, SET, SELF LOCKING 1/4-20 X .250	63
-	1	1	1	1	-	23030-1	SCR, SKT HD CAP 6-32 X .25	62
-	1	1	1	1	-	22733-8	SCR, BHSC, SELF-LOCKING, 8-32 X .375	60
-	1	1	1	1	-	2-22603-0	SCR, HEX HD CAP 8-32 X .312	59
-	1	1	1	1	-	458537-2	PAWL, FEED	56
-	4	4	4	4	-	2-21002-2	SCR, BTN SKT HD CAP 8-32 X .500	54
-	2	2	2	2	-	2-21000-8	SCR, SKT HD CAP 8-32 X .625	53
-	1	1	1	1	-	21018-5	NUT, HEX, REG 6-32	52
-	1	1	1	1	-	811242-2	BUMPER, HOLD DOWN	51
-	1	1	1	1	-	690753-1	SPACER, TONKER	50
-	-	-	-	-	...	690602-6	CAM, PRE FEED, 1 5/8	49
-	-	-	-	-	...	690602-5	CAM, PRE FEED, 1 1/8	48
-	1	1	1	1	-	690501-4	CAM, POST FEED, 1 5/8	47
-	1	1	1	1	-	459456-1	APPL. BASIC SUB ASSY (SIDE WISE MOCA)	46
-	1	1	1	1	-	690191-1	PLUG, NYLON	45
-	1	1	1	1	-	455673-1	RAM, SIDE FEED	44
-	1	1	1	1	-	690125-1	SHIM SUB-ASSY	43
-	1	1	1	1	-	690124-1	WASHER, RAM (.115)	42
-	1	1	1	1	-	7-21002-9	SCR, BTN SKT HD CAP 5/16-24 X 1.00	41
-	1	1	1	1	-	23241-6	BALL, STEEL	40
-	1	1	1	1	-	690170-1	SPRING, COMPRESSION	39
-	1	1	1	1	-	690142-1	DISC, INSULATION	38
-	1	1	1	1	-	354777-1	WIRE DISC, ASSEMBLY	37
-	1	1	1	1	-	22480-5	SPRING, COMPRESSION	36
-	1	1	1	1	-	690212-1	POST, RAM	35
-	1	1	1	1	-	690786-3	TERMINAL SUPPORT	34
-	2	2	2	2	-	2-21002-4	SCR, BTN SKT HD CAP 8-32 X .750	33
-	1	1	1	1	-	21024-5	WASHER, SPRG LOCK, REG NO 10	32
-	1	1	1	1	-	3-21000-4	SCR, SKT HD CAP 10-32 X .375	31
-	1	1	1	1	-	1320908-2	SPACER, STRIP GUIDE	30
-	1	1	1	1	-	1633091-3	ASSEMBLY, STRIP GUIDE	29
-	1	1	1	1	-	1-455888-0	SPACER, CRIMPER	28
-	1	1	1	1	-	1320928-1	PLATE, STRIP GUIDE	24
-	1	1	1	1	-	690472-2	STRIPPER	22
-	1	1	1	1	-	2-21000-7	SCR, SKT HD CAP 8-32 X .500	21
-	4	4	4	4	-	21024-4	WASHER, SPRG LOCK, REG NO 8	20
-	-	-	-	-	...	691353-1	STRIPPER	19
-	1	1	1	1	-	679625-1	SHEAR HOLDER, FRONT (NO CUT)	17
-	1	1	1	1	-	3-22280-3	SPRING, COMPRESSION	12
-	1	1	1	1	-	690461-1	STOP, SHEAR	11
-	-	-	-	-	...	690459-1	SHEAR HOLDER, FRONT	10
-	1	1	1	1	-	454276-1	FLOATING SHEAR, FRONT	9
1	1	1	1	1	-	2-1633535-2	ANVIL, COMBINATION	8
-	1	1	1	1	-	240641-5	SPACER	7
-	1	1	1	1	-	1-455889-4	DEPRESSOR, SHEAR	5
-	1	1	1	1	-	2-238011-2	BLOCK, CRIMPER SPACER	4
1	1	1	1	1	-	2-854830-2	CRIMPER, INSULATION SPECIAL	3
-	1	1	1	1	-	1-455888-8	SPACER, CRIMPER	2
1	1	1	1	1	-	2-1490019-0	CRIMPER, WIRE PREMIUM	1



DIMENSIONS:		TOLERANCES UNLESS OTHERWISE SPECIFIED:		MATERIAL:		FINISH:		WEIGHT:		CUSTOMER DRAWING:	
INCHES	0 PLC	±.01									
	1 PLC	±.01									
	2 PLC	±.01									
	3 PLC	±.001									
	4 PLC	±.001									
	ANGLES	±.001									

Mouser Electronics

Authorized Distributor

Click to View Pricing, Inventory, Delivery & Lifecycle Information:

[TE Connectivity:](#)

[1852482-2](#)