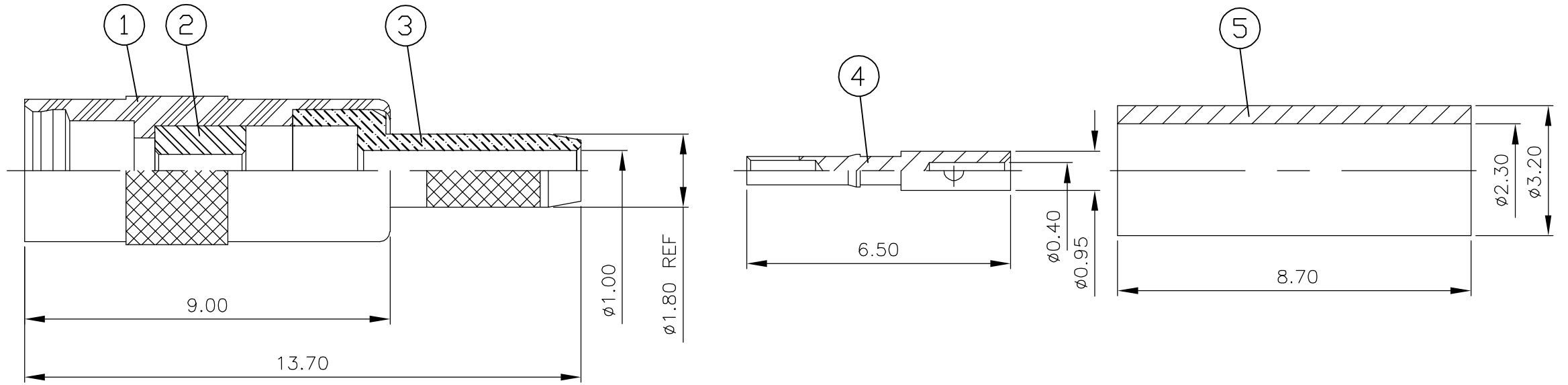


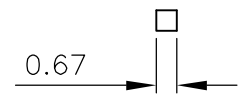
THIS DRAWING IS UNPUBLISHED. RELEASED FOR PUBLICATION NOV ,2003.
 © COPYRIGHT 2003 BY TYCO ELECTRONICS CORPORATION. ALL RIGHTS RESERVED.

LOC	DIST	REVISIONS			
P	LTR	DESCRIPTION	DATE	DWN	APVD
E	B	B	EBD0-0248-03	12NOV03	JMS FWK

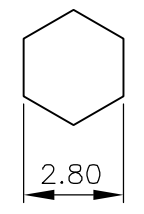
- 1 SINGLE PACK IN ACCORDANCE WITH SPEC 107-3275
- 2 100 TRAY PACK IN ACCORDANCE WITH SPEC 107-3275
- 3 0.76µm Au PLATING OVER 1.27µm Ni PLATING OVER 0.76µm Cu PLATING
- 4 0.08µm Au PLATING OVER 1.27µm Ni PLATING OVER 0.76µm Cu PLATING
- 5 HANDTOOL 9-1478240-0
- 6 DIE SET 9-1478248-0



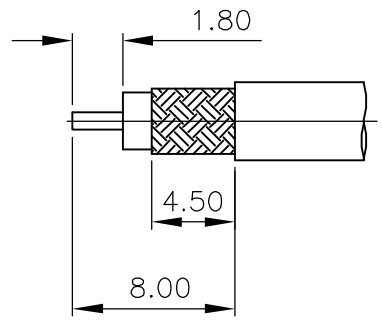
RECOMMENDED CENTRE CONTACT A/F SQR



RECOMMENDED CRIMP SLEEVE A/F HEX



RECOMMENDED CABLE STRIPPING DIM'S



QTY	UNIT	MATERIAL	DESCRIPTION	ITEM
1	1	BRASS	CRIMP SLEEVE	5
1	1	BERYLLIUM COPPER	SOCKET	4
1	1	BRASS	BODY	3
1	1	PTFE	INSULATOR	2
1	1	BRASS	BODY	1
6--0	1--0	MATERIAL	DESCRIPTION	ITEM
2	1			

THIS DRAWING IS A CONTROLLED DOCUMENT.		DWN J.SANDWELL 12NOV03	Tyco Electronics Corporation Stanmore, Middlesex, HA7 4RS	
DIMENSIONS: MM		CHK S.PARLOW 12NOV03		
TOLERANCES UNLESS OTHERWISE SPECIFIED:		APVD F.WHEELER-KING 12NOV03	NAME	
0 PLC ± -		PRODUCT SPEC 411-3462	MMCX STRAIGHT JACK CRIMP	
1 PLC ± -		APPLICATION SPEC 411-3278	RG178 50 OHMS	
2 PLC ± -		WEIGHT -	SIZE A3	CAGE CODE 00779
3 PLC ± -		CUSTOMER DRAWING	DRAWING NO C-1634005	RESTRICTED TO -
4 PLC ± -			SCALE NTS	SHEET 1 OF 1
ANGLES ± -				REV B
FINISH SEE TABLE				

Mouser Electronics

Authorized Distributor

Click to View Pricing, Inventory, Delivery & Lifecycle Information:

[TE Connectivity:](#)

[1-1634005-0](#)