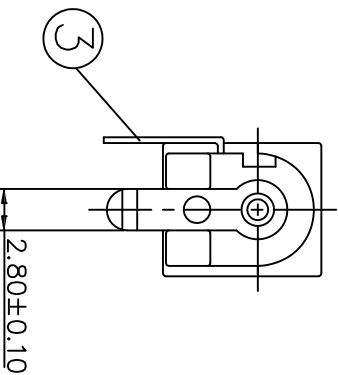
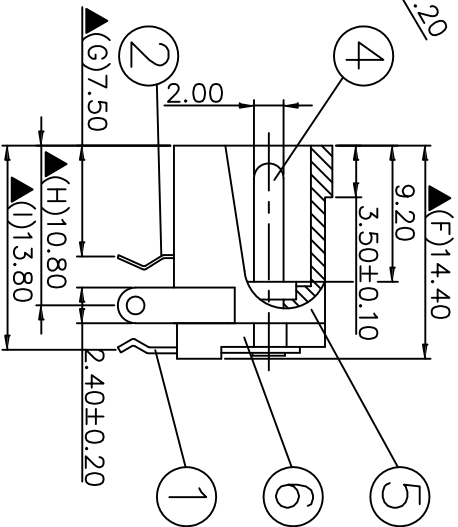
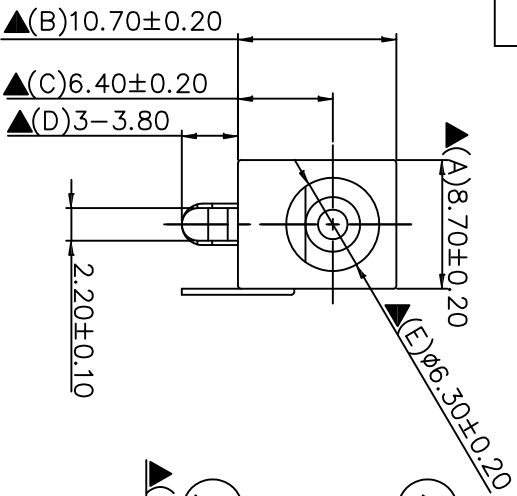
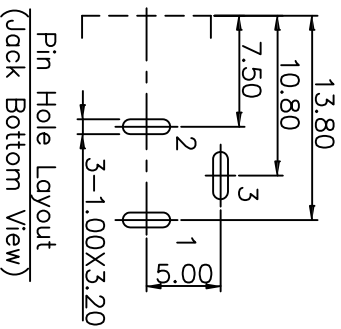


SCHEMATIC	
MODEL NO	C



NO.	Description	Material	Q'TY	Finish
1.	Pin Terminal	0.4T Brass	1	Silver Plated
2.	Sleeve Spring	0.2T Phosphor Bronze	1	Silver Plated
3.	Breck Terminal	0.4T Brass	1	Silver Plated
4.	Pin(2.0Ø)	Copper	1	Nickel Plated
5.	Housing	PBT+30% Fibre Glass	1	Black Color
6.	Cover	PBT+30% Fibre Glass	1	Black Color



SPECIFICATIONS:
 Contact Resistance : 30mΩ max
 Current Rating : Max 5.0A , 24V DC
 Insulation Resistance : 100MΩ min. at DC 500V
 Dielectric Withstand Voltage : AC 500V for one minute
 (A -I) are important Dimensions



THIS DRAWING MAY NOT BE COPIED OR REPRODUCED IN ANY WAY, AND MAY NOT BE PASSED ON TO A THIRD PARTY WITHOUT WRITTEN PERMISSION. OWNERSHIP AND COPYRIGHT OF CONEC CORPORATION

DO NOT ALTER CAD DRAWING BY HAND

CONEC CORPORATION Brampton, Ontario		tolerance unless otherwise specified Decimal: .xx mm: .03	scale: SEE SPECIFICATIONS
rev./description	date	name	title:
a Original	Jan/10/2013	Robert	DC POWER JACK (OD: 2.00mm)
b			drawing no.: AutoCAD 2004
c			part no.: C0504R06A
d			33DCJ-0202-A
e			
f			
g			
h			
i			
j			
k			
l			
m			
n			
o			
p			
q			
r			
s			
t			
u			
v			
w			
x			
y			
z			



AutoCAD 2004
 C0504R06A
 33DCJ-0202-A

DIN A3
 sheet 1/1

used for:

Mouser Electronics

Authorized Distributor

Click to View Pricing, Inventory, Delivery & Lifecycle Information:

[CONEC:](#)

[33DCJ-0202-A](#)