

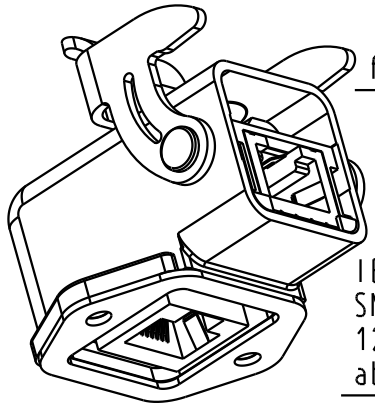
1 2 3 4 5 6

A

B

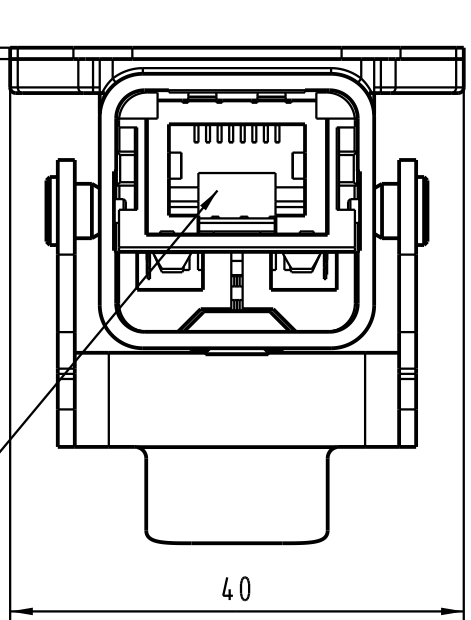
C

D

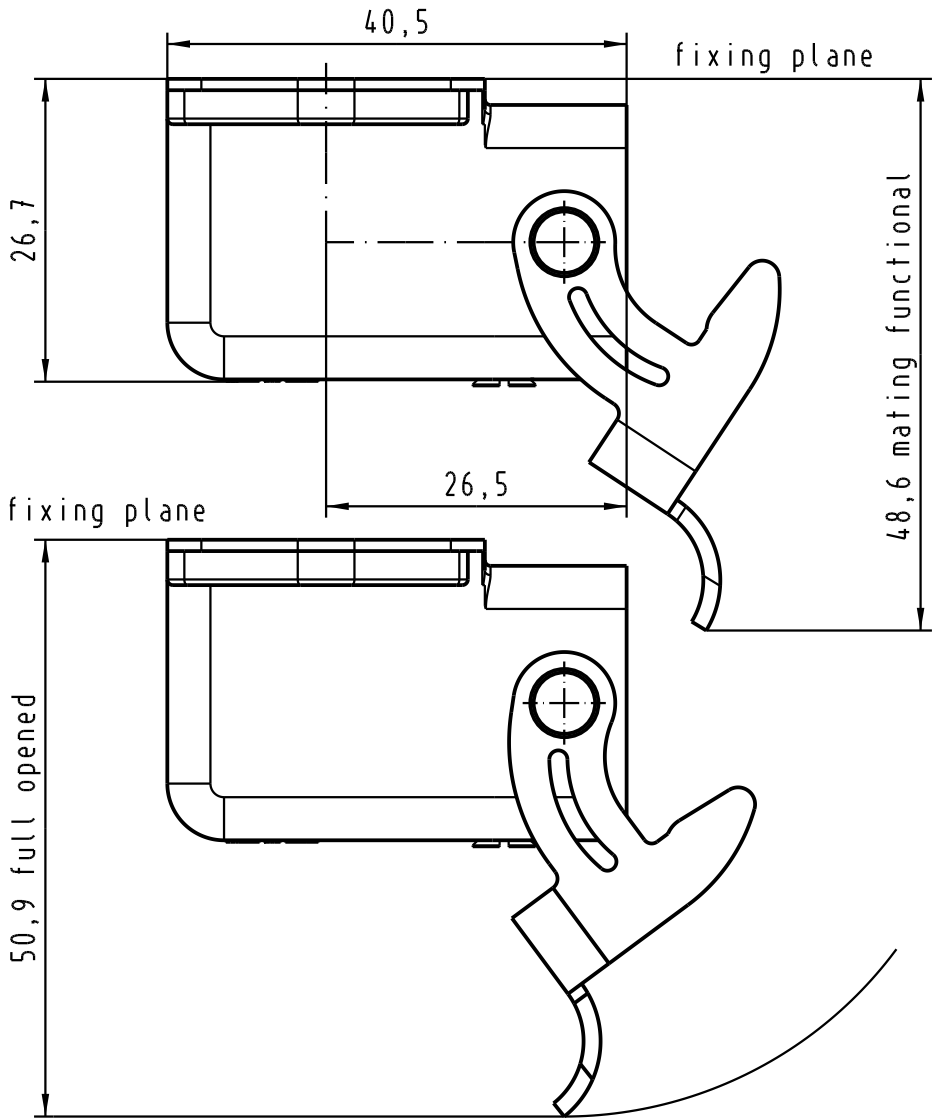


flat seal 1 mm

IEC 60603-7
SMC modular jack
12mm maxi. height
above PC-Board



40



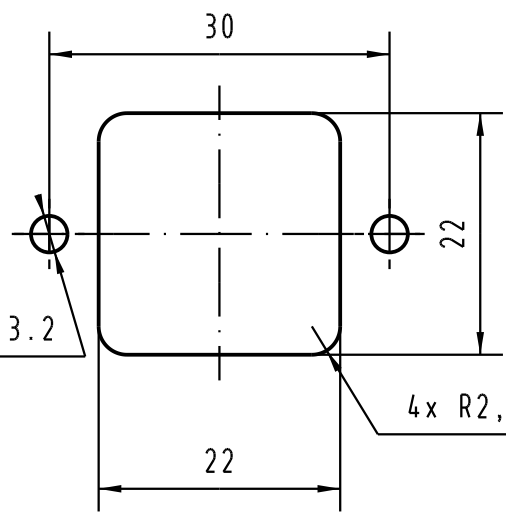
fixing plane

48,6 mating functional

fixing plane

50,9 full opened

recommended panel
cutout dimensions



30



22

22

M3 or ø 3.2

4 x R2,5

matable with
IEC 61076-3-106 variant 05
Panel feed through pitch
on panel = 41 mm

				Dat.	Name	 All Dim. in mm Orig. Size DIN A 4	RJ Industrial Han3A Panel feed through 90° angled metal version	Moßstab/ Scale
			Detail.	16-NOV-04	JB			1,5:1
			Insp.					
			Stand.					
33083	31/08/05	AM	HARTING EURL F-95972 Paris				TB 09 45 215 1108	Blatt/ Page
32333	16-NOV-04	JB						1 / 1
Mod.	Dat.	Name						Sub.

Mouser Electronics

Authorized Distributor

Click to View Pricing, Inventory, Delivery & Lifecycle Information:

[HARTING:](#)

[09452151108](#)