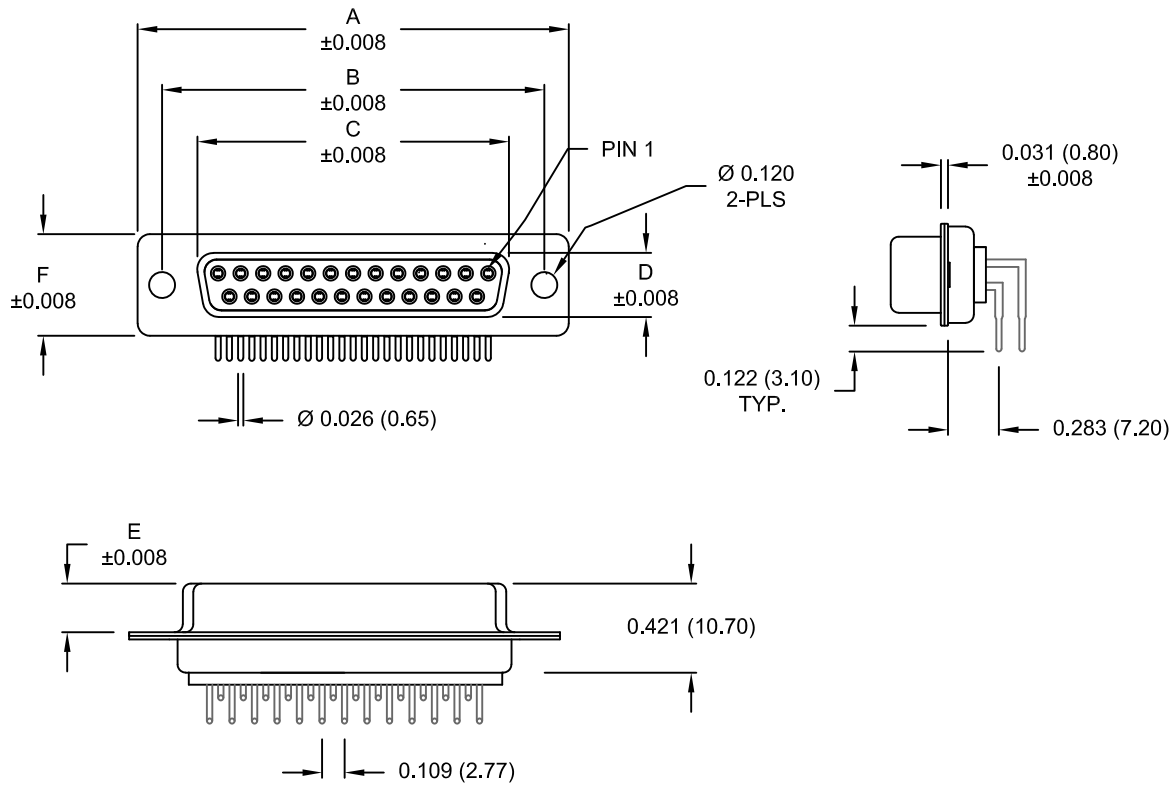


DESCRIPTION: FEMALE - 0.283 RIGHT ANGLE / MACHINED - ECONOMY



DIMENSIONS						
No. OF PINS	A	B	C	D	E	F
9	1.213	0.984	0.642	0.311	0.228	0.492
	30.80	25.00	16.30	7.90	5.80	12.50
15	1.541	1.312	0.970	0.311	0.228	0.492
	39.20	33.30	24.60	7.90	5.80	12.50
25	2.089	1.852	1.512	0.311	0.228	0.492
	53.05	47.05	38.40	7.90	5.80	12.50
37	2.728	2.500	2.157	0.311	0.228	0.492
	69.40	63.50	54.80	7.90	5.80	12.50
50	2.638	2.402	2.055	0.429	0.236	0.602
	67.00	61.00	52.20	10.90	6.00	15.30

173-EYY-21YRYY1

SERIES _____
 POSITIONS _____
 E09
 E15
 E25
 E37
 E50
 GENDER _____
 2 = FEMALE
 TERMINATION _____
 1 = PC MOUNTING
 SHELL PLATING _____
 3 = NICKEL
 RoHS COMPLIANT _____
 HARDWARE OPTIONS _____
 00 = NO HARDWARE
 0A = 0.098" CLINCH NUT (BOARD SIDE)
 14 = SHORT BRACKET WITH 4-40 SCREW LOCK
 24 = SHORT BRACKET WITH 4-40 SCREW
 46 = BRACKET WITH 4-40 INSERT & BOARDLOCK
 PLATING OPTIONS _____
 1 = GOLD FLASH
 2 = 30MICRO-INCH GOLD
 3 = 50MICRO-INCH GOLD

MATERIAL:

SHELL: STEEL, NICKEL PLATED
 INSULATOR: UL 94V-O RATED, WHITE PA6T
 PROCESS TEMP.: 260° PROCESS TEMPERATURE
 CONTACT: PRECISION MACHINED COPPER

ELECTRICAL:

CURRENT RATING: 5 AMPS
 CONTACT RESISTANCE: 10 mOhms Max.
 INSULATION RESISTANCE: 5 G Ohms min.
 VOLTAGE: 1000 V AC FOR 1 MINUTE
 TEMPERATURE: -55° C TO +125° C

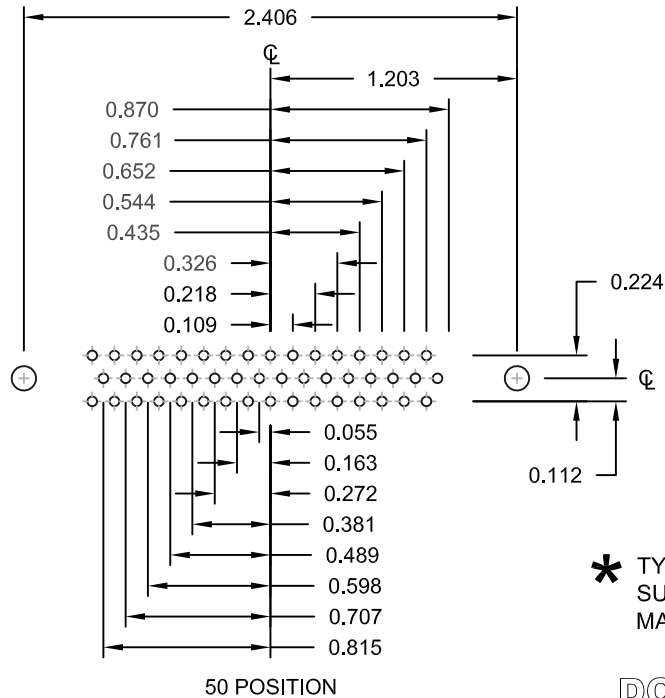
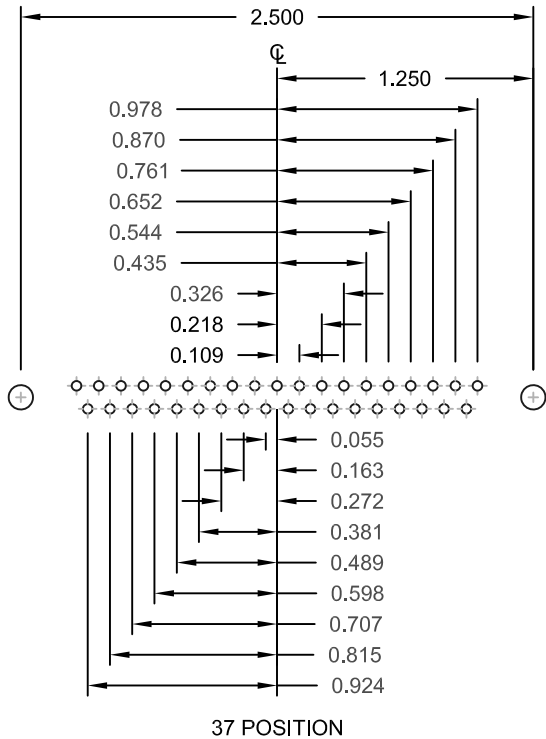
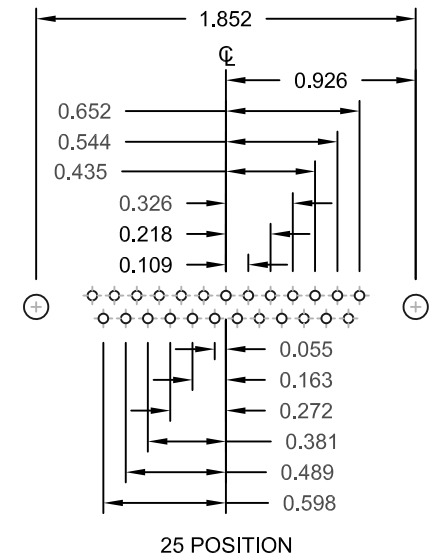
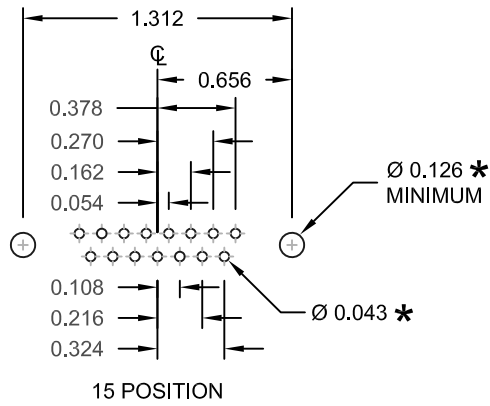
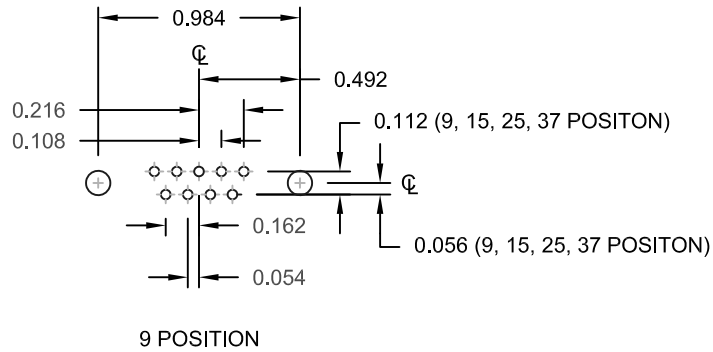
UNITS = inch [mm]

DO NOT SCALE FROM DRAWING

RoHS COMPLIANT

	THESE DRAWINGS AND SPECIFICATIONS ARE THE PROPERTY OF NorComp AND SHALL NOT BE REPRODUCED, COPIED OR USED AS THE BASIS FOR THE MANUFACTURE OF SALE OF APPARATUS WITHOUT WRITTEN PERMISSION.	DRAWN: PAM JENKINS DATE: 11-28-05
		SCALE: NTS SHEET 1 OF 3 REV 18
DWG NO. 173-EYY-21YRYY1		

DESCRIPTION: PCB LAYOUT - STANDARD "D" - MALE & FEMALE



UNITS = inch

* TYP. SUGGESTED SIZE MAY NOT BE SUITABLE FOR ALL APPLICATIONS

DO NOT SCALE FROM DRAWING



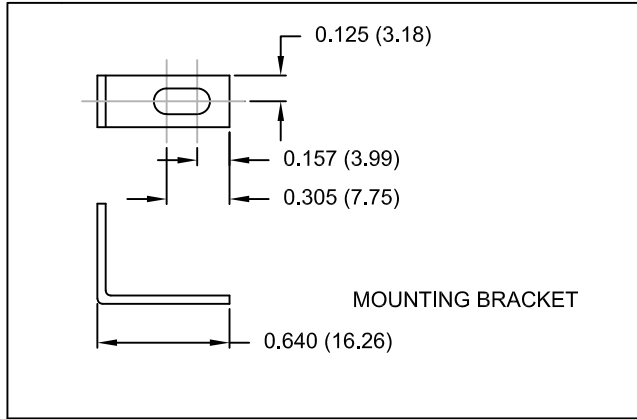
THESE DRAWINGS AND SPECIFICATIONS ARE THE PROPERTY OF NorComp AND SHALL NOT BE REPRODUCED, COPIED OR USED AS THE BASIS FOR THE MANUFACTURE OF SALE OF APPARATUS WITHOUT WRITTEN PERMISSION.

DRAWN: PAM JENKINS		DATE: 11-28-05	
SCALE: NTS	SHEET 2	OF 3	REV 18
DWG NO. 173-EYY-21YRY1			

NorComp

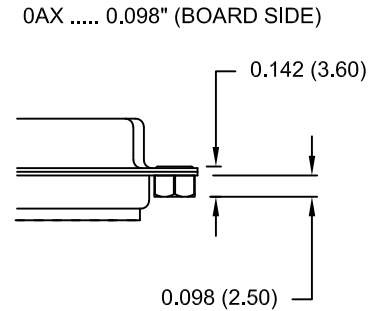
DESCRIPTION: CLINCH NUT HARDWARE

REPLACE -YY IN LAST 3 DIGITS WITH OPTION CHOSEN



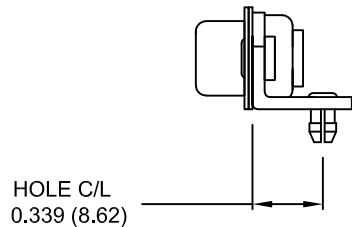
14Y = SHORT BRACKET & 4-40
FEMALE HEX SOCKET
24Y = SHORT BRACKET & 4-40
SCREW

CLINCH-NUT HAS 4-40 INTERNAL THREADS



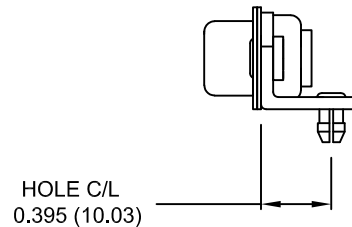
46Y = BRACKET WITH 4-40 INSERT AND
BOARDLOCK

9-37 POSITION
CONNECTOR
BRACKET

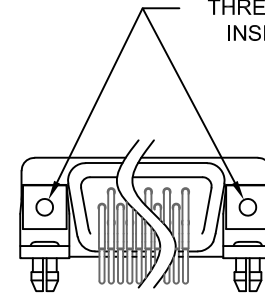


50 POSITION
CONNECTOR
BRACKET

NOTE: LOCATOR PLATE PRESENT ON 50 PIN ONLY



#4-40
THREADED
INSERT



BRACKETS MOUNTED ON CONNECTOR

UNITS = inch [mm]

DO NOT SCALE FROM DRAWING



THESE DRAWINGS AND SPECIFICATIONS ARE THE PROPERTY OF NorComp AND SHALL NOT BE REPRODUCED, COPIED OR USED AS THE BASIS FOR THE MANUFACTURE OF SALE OF APPARATUS WITHOUT WRITTEN PERMISSION.

DRAWN:
PAM JENKINS

DATE:
11-28-05

NorComp

SCALE: NTS SHEET 3 OF 3 REV 18

DWG NO. 173-EYY-21YRYY1

RoHS COMPLIANT

Mouser Electronics

Authorized Distributor

Click to View Pricing, Inventory, Delivery & Lifecycle Information:

[NorComp:](#)

[173-E50-213R001](#) [173-E09-213R001](#) [173-E15-213R001](#) [173-E25-213R001](#) [173-E37-213R001](#) [173-E37-213R141](#)