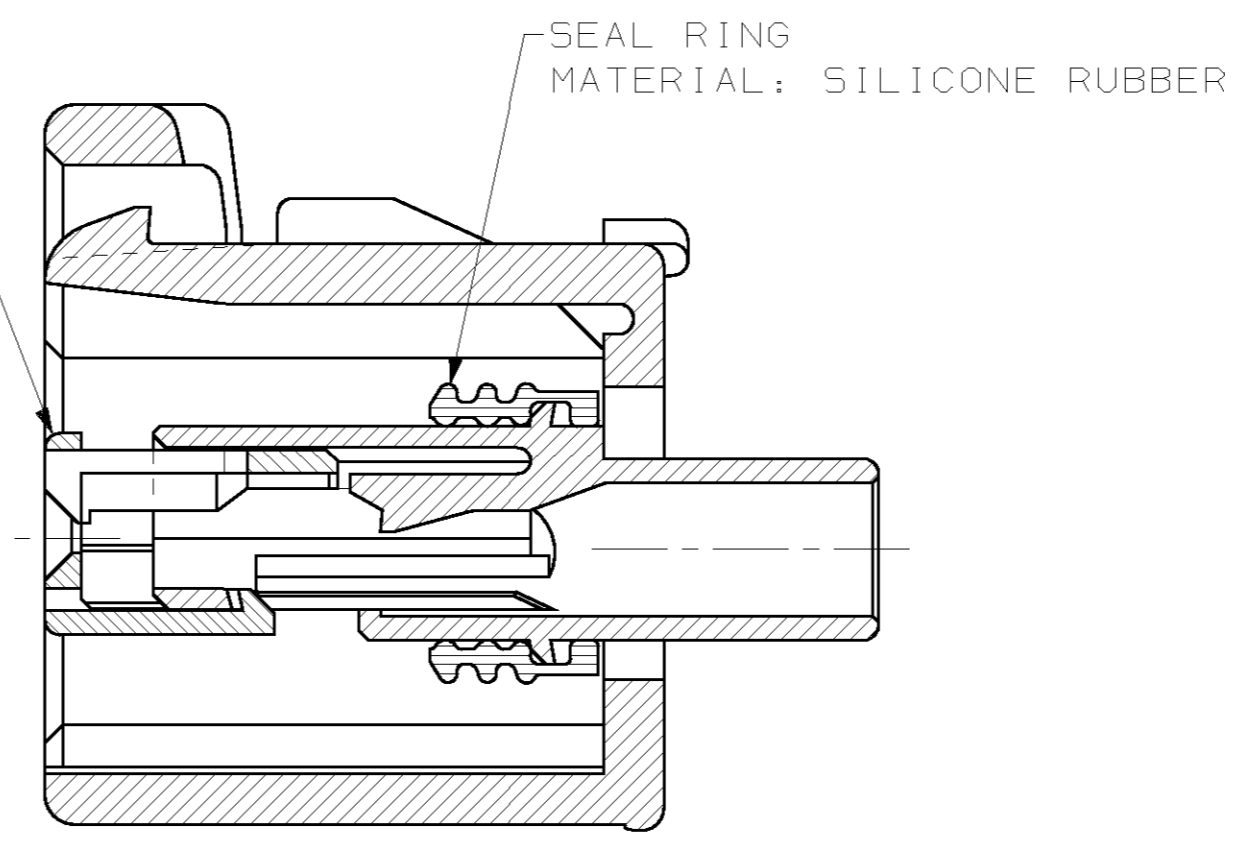
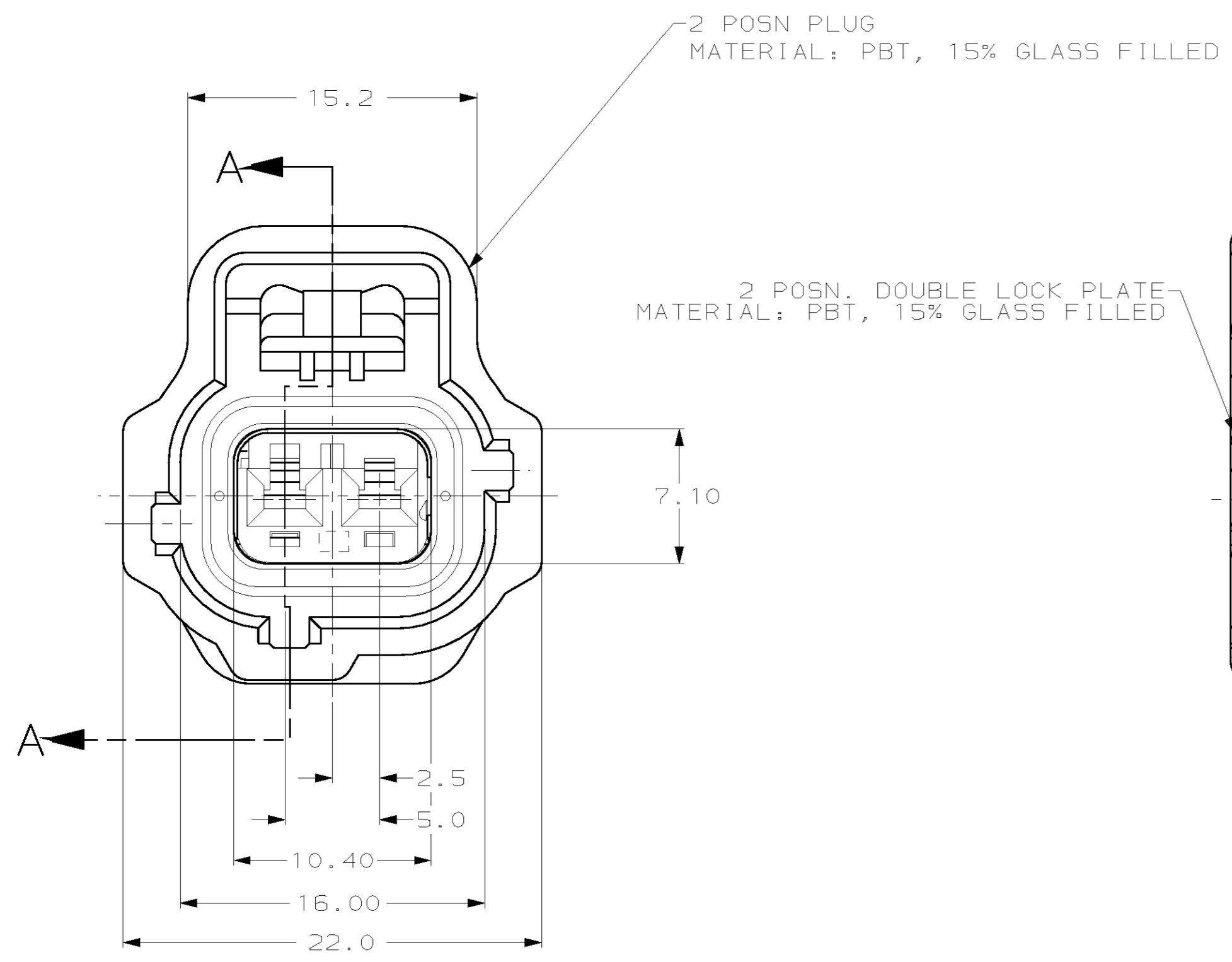
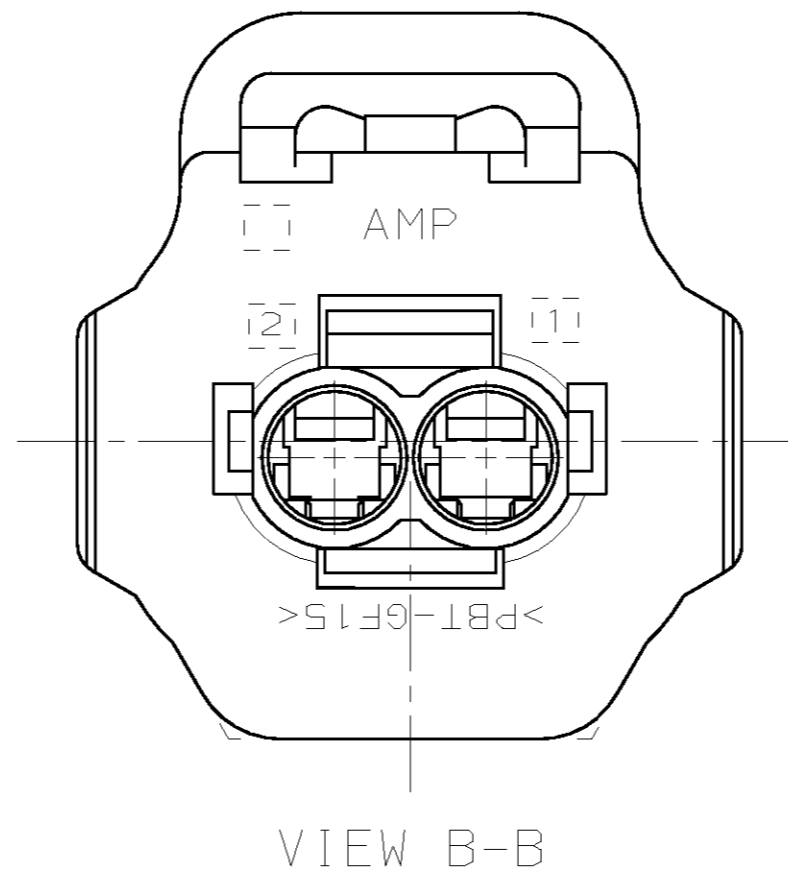
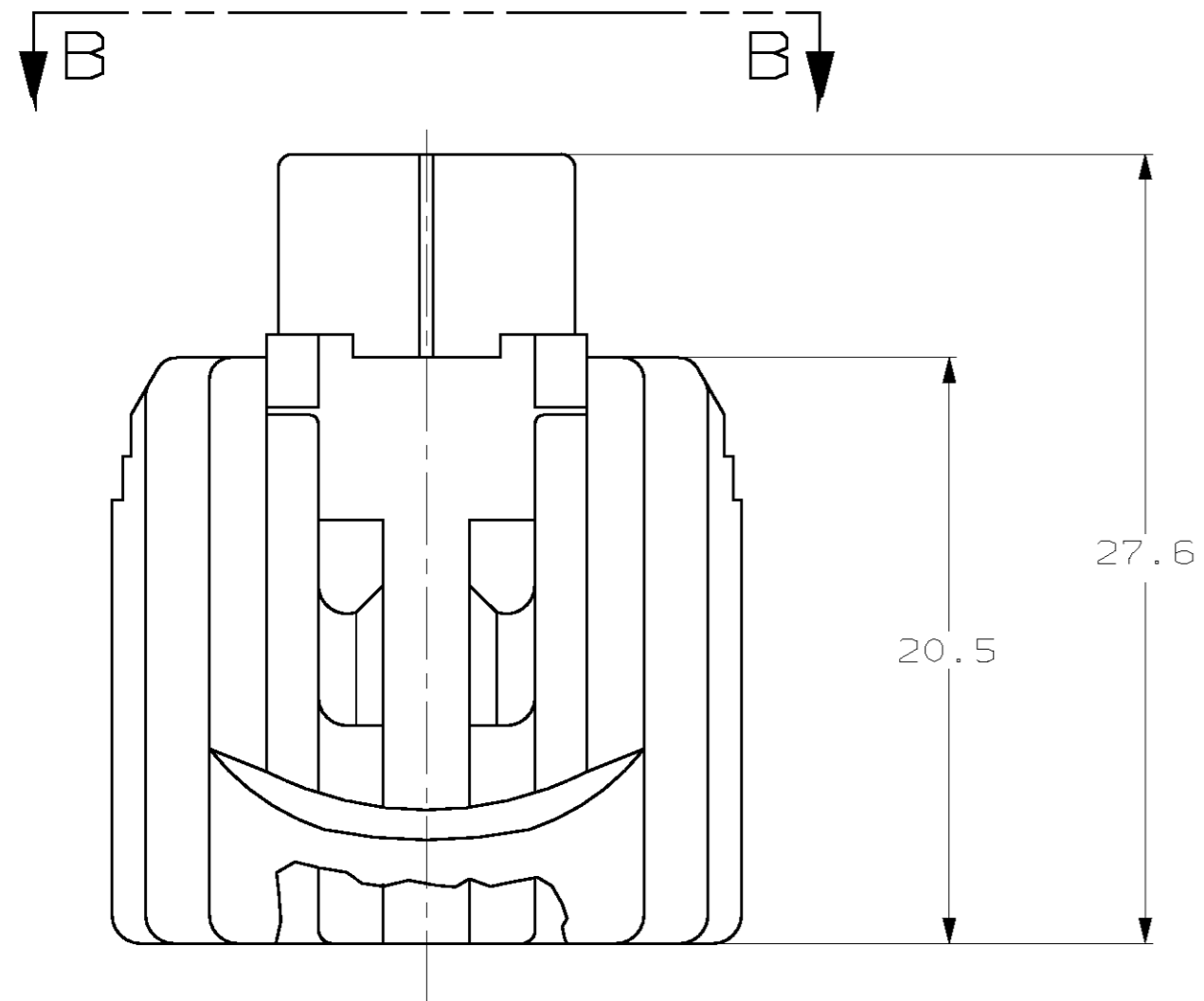


THIS DRAWING IS UNPUBLISHED. RELEASED FOR PUBLICATION .19
 © COPYRIGHT 19 BY AMP INCORPORATED. ALL RIGHTS RESERVED.

LOC	DIST	REVISIONS					
		P	LTR	DESCRIPTION	DATE	DWN	APVD
G	16			RELEASED, WAS 92-4072-2313-10	-	-	-
		A		REV PER ECN 0720-0290-94	10/19/94	KDL	JPK
		B		REV PER ECN 0720-0446-94	12/16/94	KW	JK
		C		REV PER ECN 0K50-0003-96	08/13/96	KW	JK
		D		REV PER EC# 0K40-0140-00	7-10-00	PC	GI



KEYING TYPE K

THIS DRAWING IS A CONTROLLED DOCUMENT FOR AMP INCORPORATED. IT IS SUBJECT TO CHANGE AND THE CONTROLLING ENGINEERING ORGANIZATION SHOULD BE CONTACTED FOR THE LATEST REVISION.		DWN	KD LYTLE	3/28/94
DIMENSIONS:		CHK	JP KUNKLE	4/19/94
mm	TOLERANCES UNLESS OTHERWISE SPECIFIED:	APVD		
	0 PLC ±-	PRODUCT SPEC		
	1 PLC ±0.30	APPLICATION SPEC		
	2 PLC ±0.15			
	3 PLC ±-	WEIGHT		
	4 PLC ±-	CUSTOMER DRAWING		
	ANGLES ±1°			
MATERIAL	FINISH			

BLACK	184018-1
PLUG COLOR	PART NO
AMP	AMP Incorporated Harrisburg, PA 17105-3608
1 X 2 PLG ASY KEY K-C3	
SIZE	CAGE CODE
A2	00779
DRAWING NO	C-184018
SCALE	SHEET
4:1	1 OF 1
REV	D

184018

Mouser Electronics

Authorized Distributor

Click to View Pricing, Inventory, Delivery & Lifecycle Information:

[TE Connectivity:](#)

[184018-1](#)