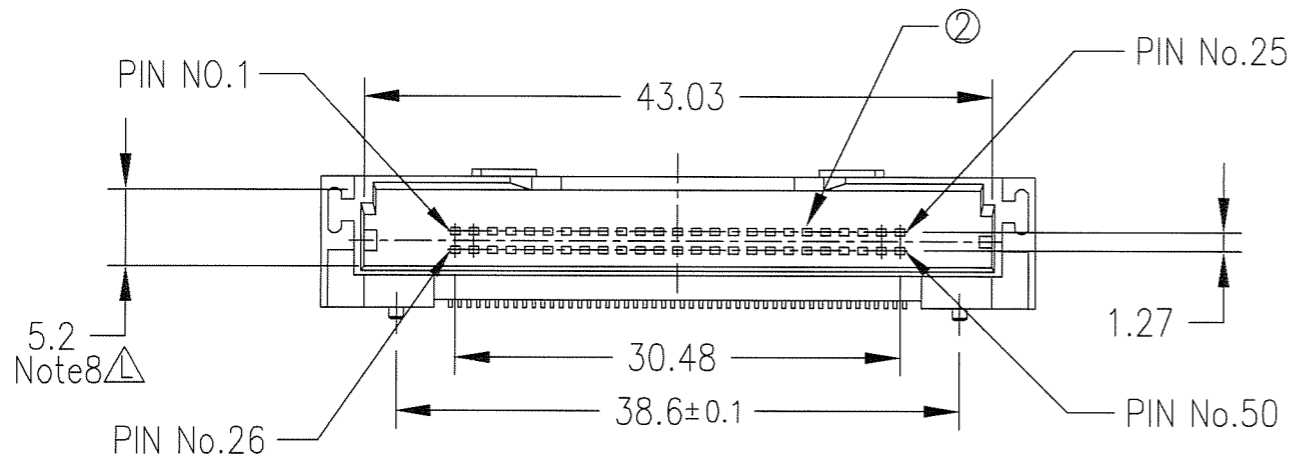
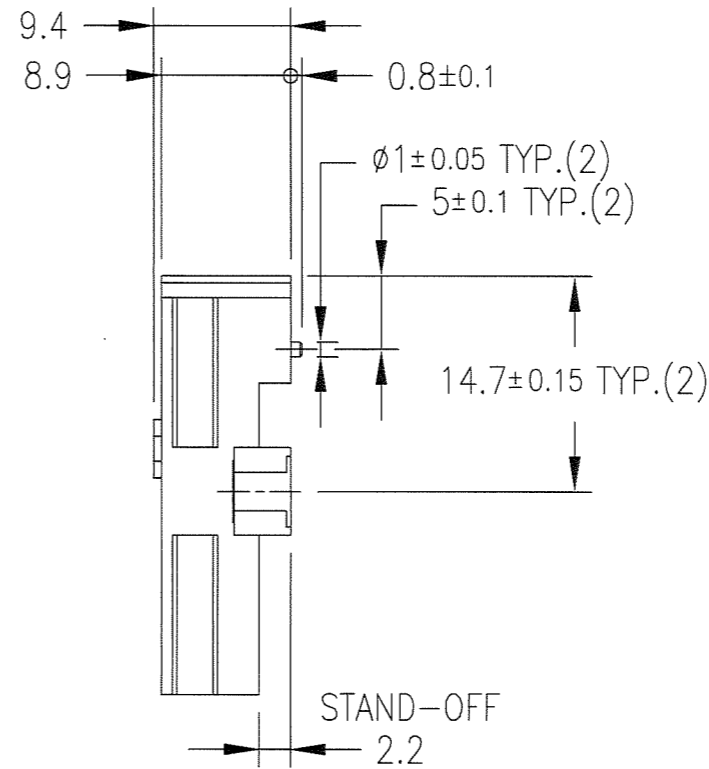
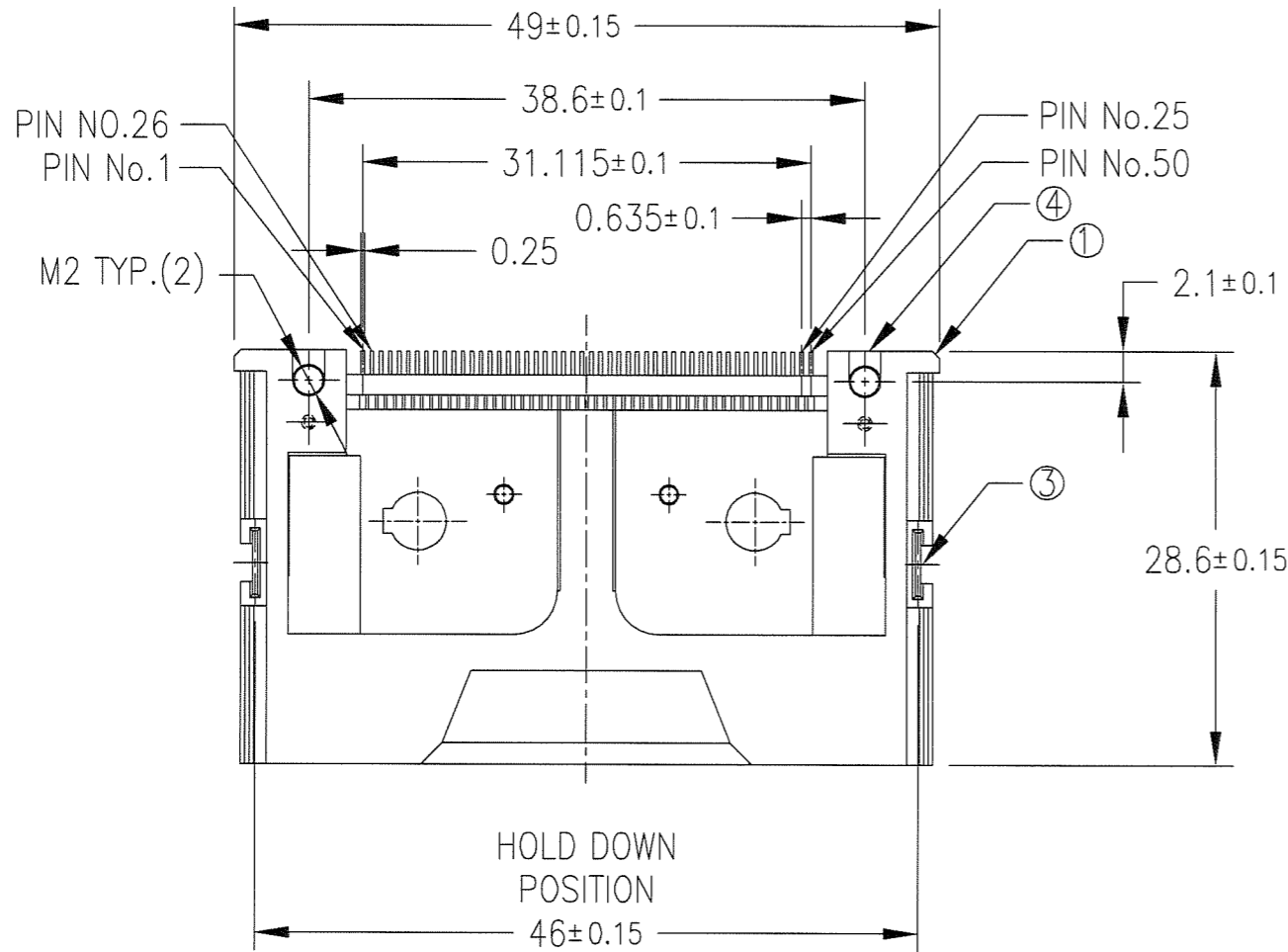


PRODUCT NO.	REMARKS
62453-022LF	WITH METAL PLATE(M2 SCREWS)

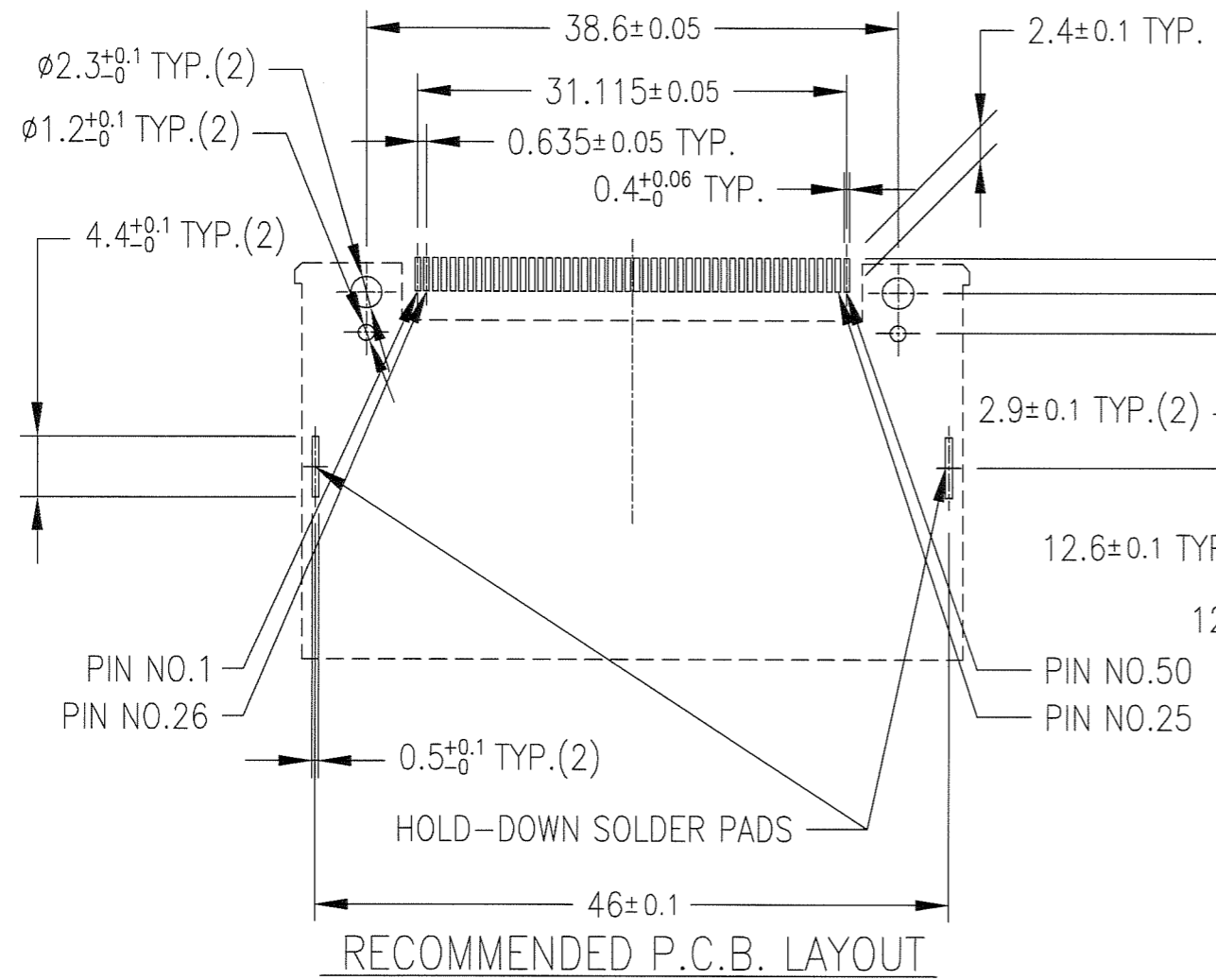


COMPONENT	MATERIAL	FINISH	QTY.
① HOUSING	FLAME RETARDANT RESIN	NONE (BLACK)	1
② PIN	PHOSPHOR BRONZE	UNDER : 1.0μm MIN. Ni CONTACT AREA : 0.2μm MIN. Au SOLDER TAIL : 0.05μm MIN. Au	50
③ HOLD DOWN	PHOSPHOR BRONZE	UNDER : 1.27μm MIN. Ni SOLDER TAIL : 2.0μm MIN. Sn	2
④ METAL PLATE	BRASS	2μm MIN. Ni	2

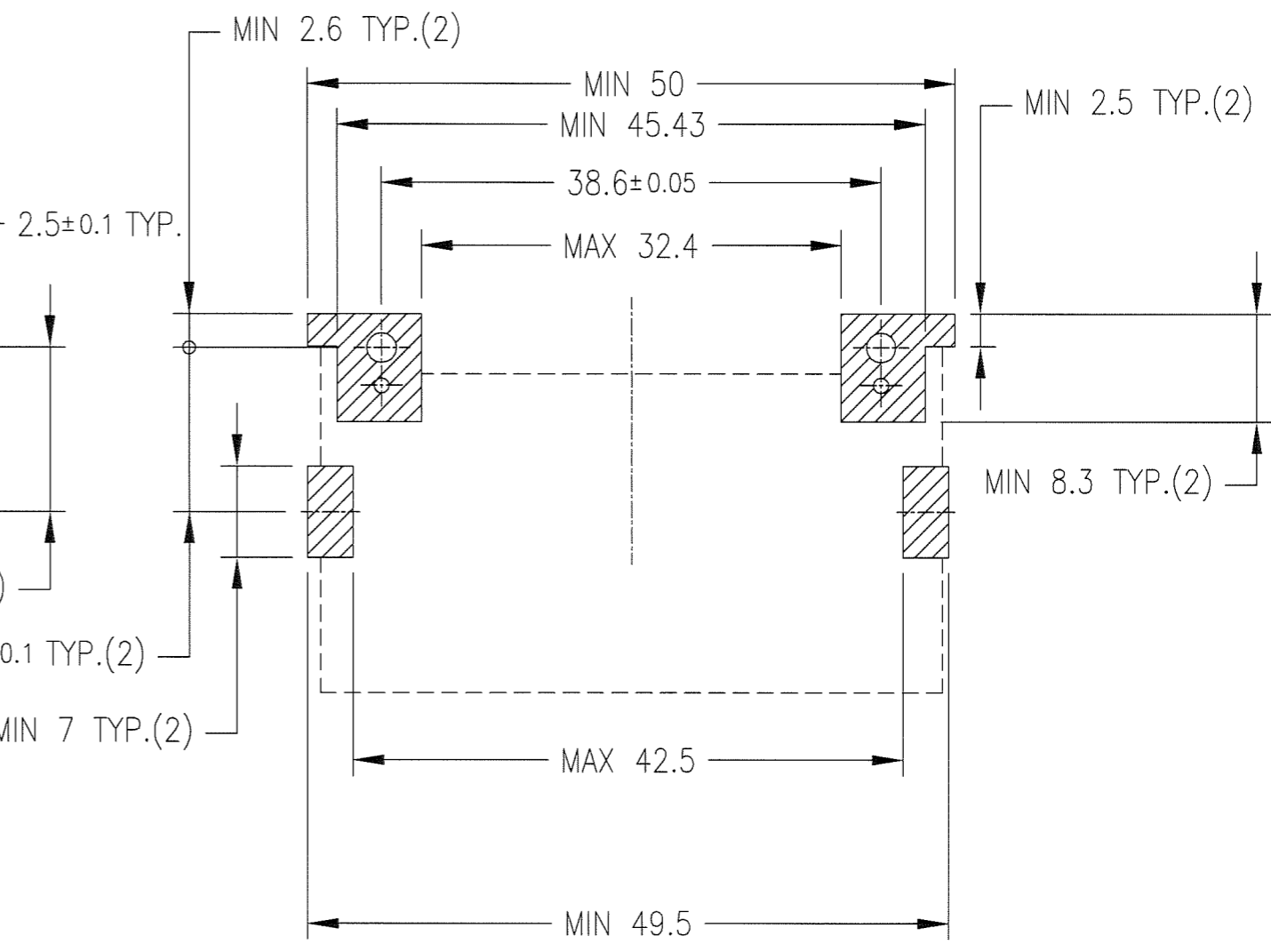
mat'l. code				surface		tolerance		projection		product family		CODE
---				ISO 1302		ISO 406		mm		5AZF - CF HEADER		JP
										title		
										COMPACT FLASH HDR		
										TOP MOUNT		
										sheet 1 of 8		size
										62453		A3
										type		Rev.
										Product Customer Drawing		L
sheet	revision	L	J	E	E	E	E	E	E	E	E	Rev.
index	sheet	1	2	3	4	5	6	7	8			L



PRODUCT NO.	REMARKS
62453-022LF	WITH METAL PLATE(M2 SCREWS)



RECOMMENDED P.C.B. LAYOUT



COMPONENT REFLOW KEEP OUT ZONE

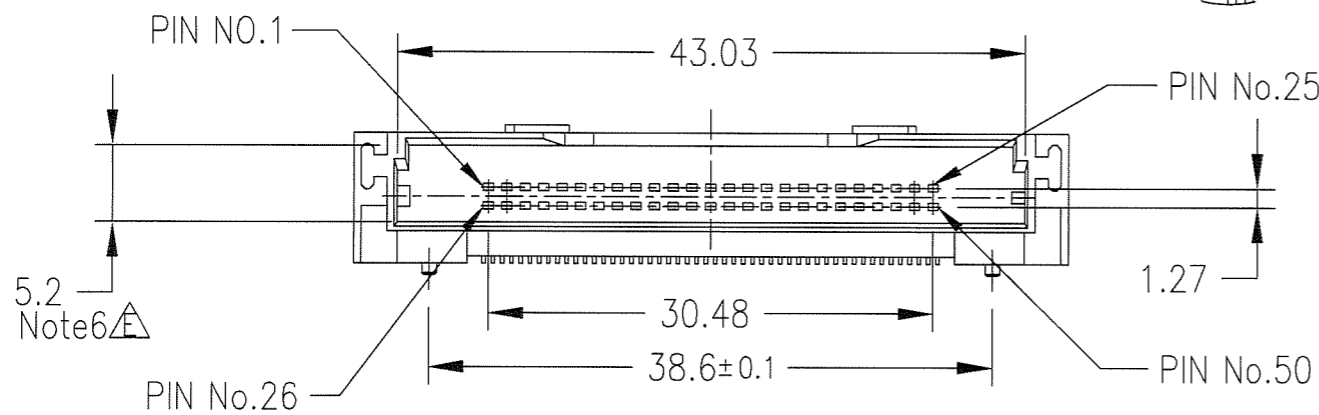
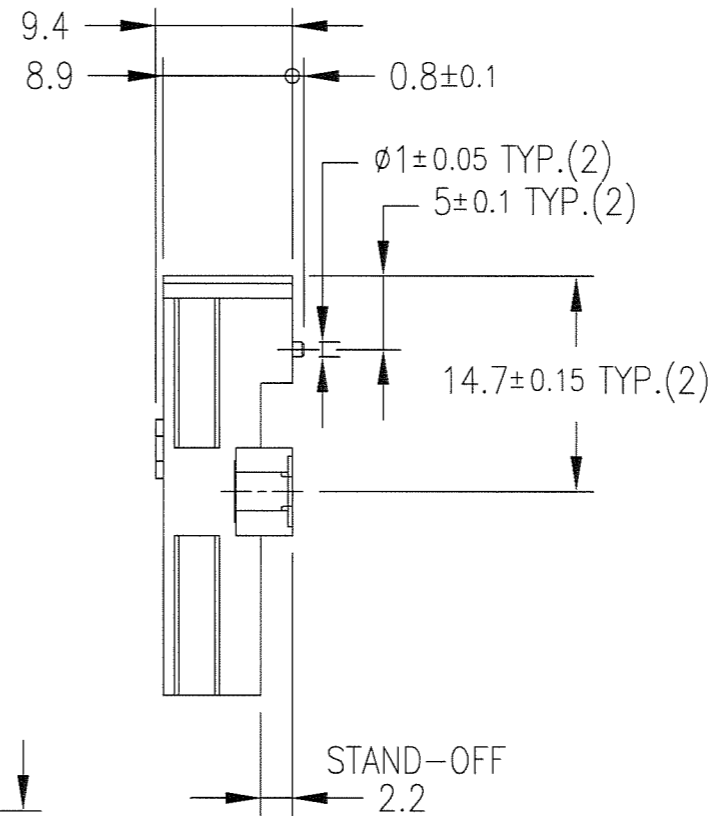
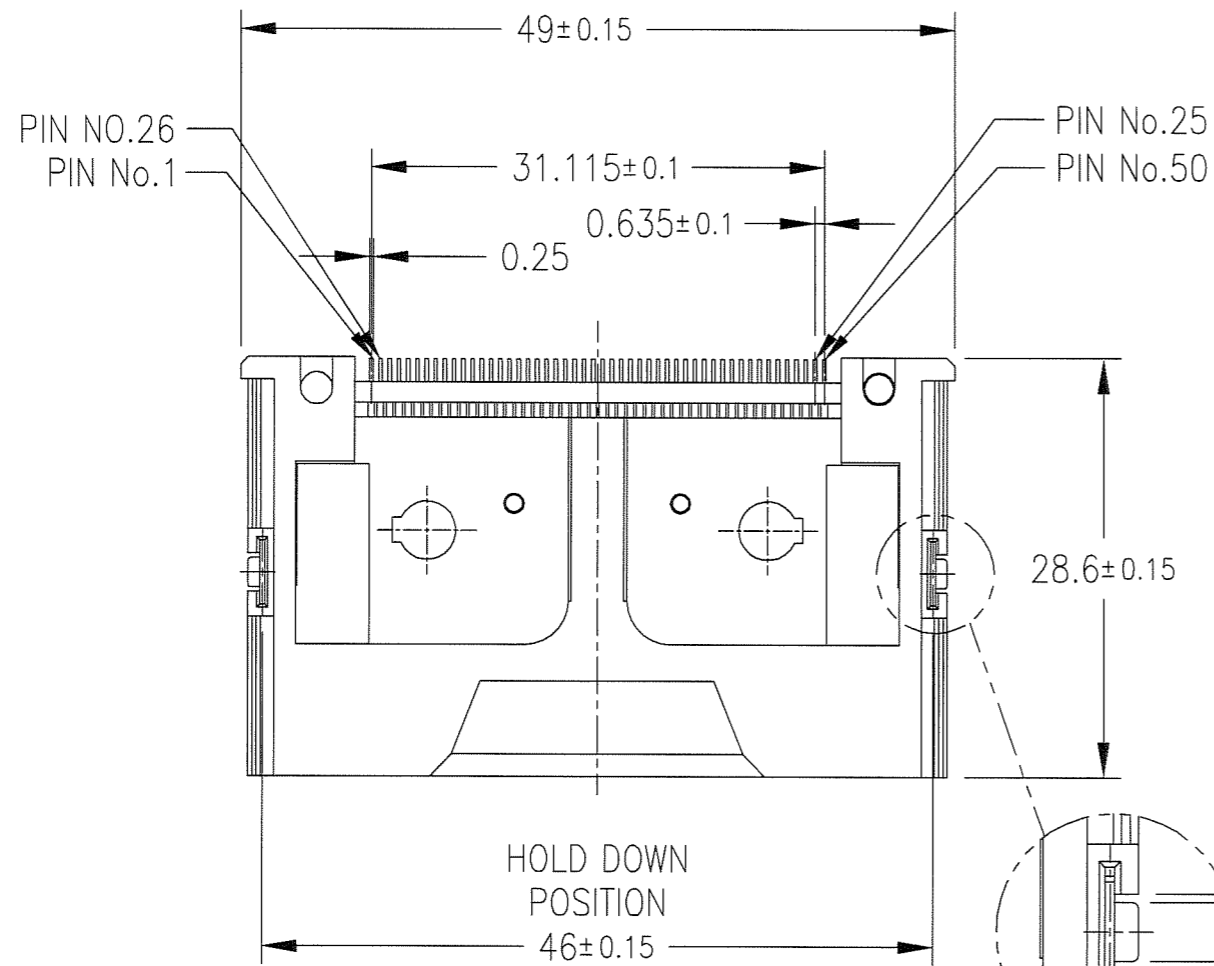
- NOTE
- 1.PRODUCT SPECIFICATION : 110-404
 - 2.PACKAGING SPECIFICATION : GES-14-620
 - 3.RECOMMENDED TIGHTENING TORQUE : 0.127N.m [1.3kgf.cm]
 - 4.SOLDER TAIL CO-PLANARITY : MAX 0.1
 - 5.RECOMMENDED HOLD-DOWN SCREW
M 2mm X 6mm SCREWS
FOR 0.062in/1.57mm THICK PCB
 - 6,FOR LEAD FREE P/N, THE PRODUCT MEETS EUROPEAN UNION DIRECTIVES AND OTHER COUNTRY REGULATIONS AS DESCRIBED IN GS-22-008.
 - 7.THE HOUSING WILL WITHSTAND EXPOSURE TO 260°C PEAK TEMPERATURE FOR 10 SECONDS IN A CONVENTION, INTRA-RED OR VAPOR PHASE REFLOW OVEN.
 - 8.MEASURED AT THE BOTTOM.

mat'l. code		surface		tolerance		projection		product family		CODE	
---		ISO 1302		ISO 406		mm		5AZF - CF HEADER		JP	
ISO 1101		tolerances unless otherwise specified		angles		linear		title		COMPACT FLASH HDR	
0.X ±0.3		0° ±2'		0.XX ±0.3		0.XXX ±0.3		TOP MOUNT		sheet 2 of 8	
G REVISED J06-0315 R.S 8/1/'06 dr S.WATANABE 7/28/'08		H REVISED J06-0399 R.S 10/20/'06 engr S.WATANABE 7/28/'08		J REVISED J08-0316 S.W 7/28/'08 chr		scale 2:1		dwg no		size	
62453		A3		type		Product Customer Drawing		Rev.		J	
sheet index		revision sheet									



Copyright FCI

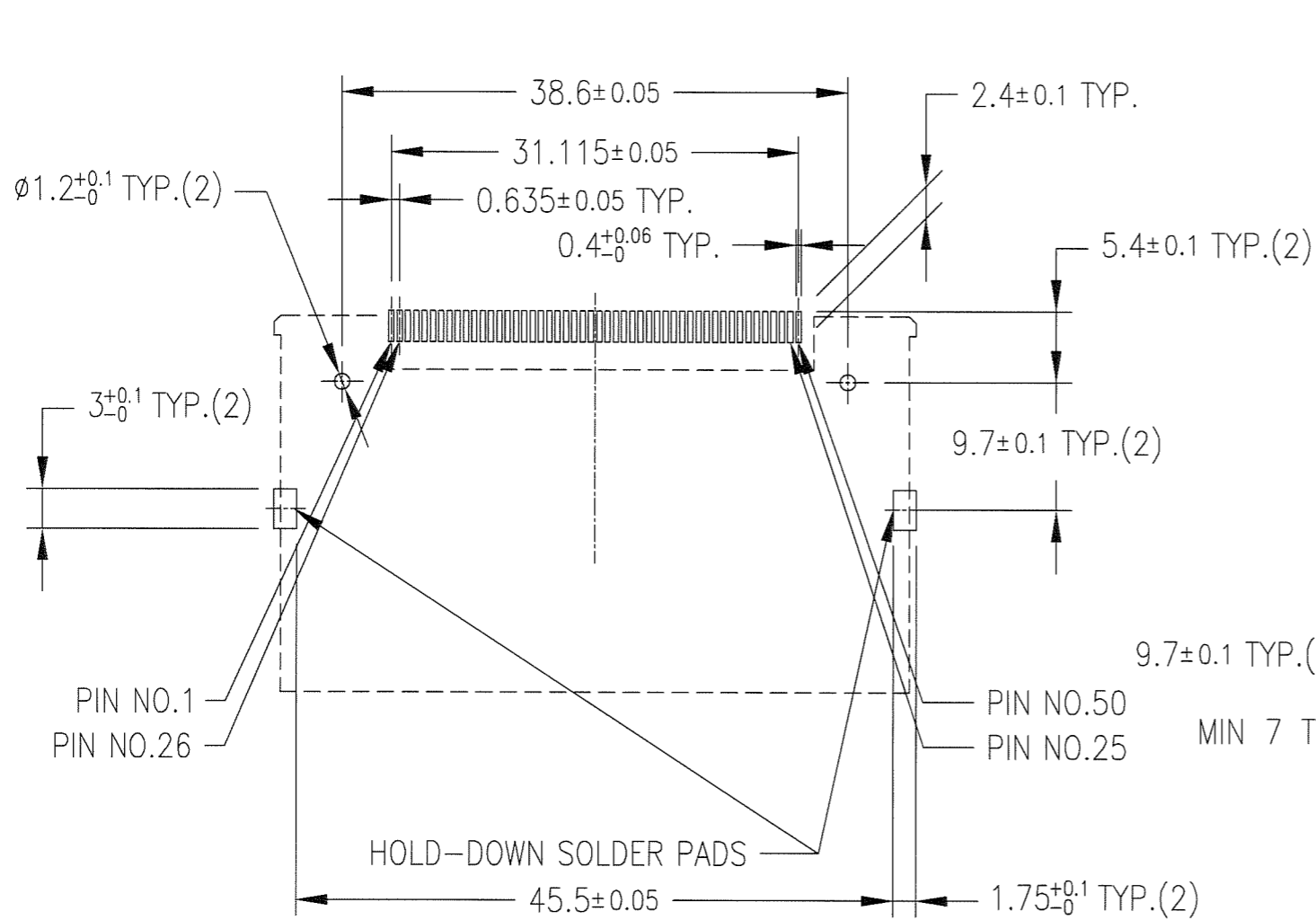
PRODUCT NO.	REMARKS
62453-122LF	WITHOUT METAL PLATE(M2 SCREWS)



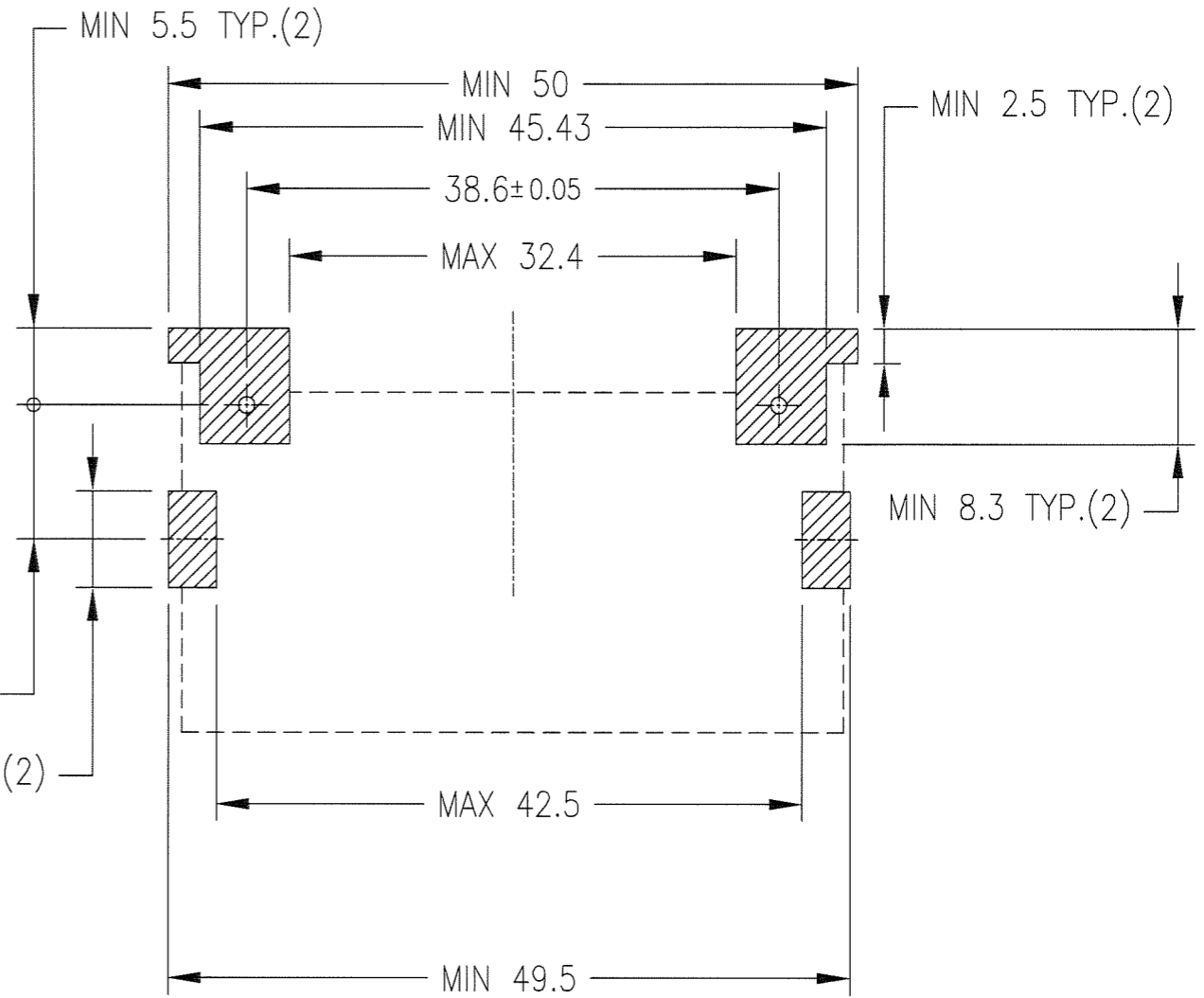
COMPONENT	MATERIAL	FINISH	QTY.
① HOUSING	FLAME RETARDANT RESIN	NONE (BLACK)	1
② PIN	PHOSPHOR BRONZE	UNDER : 1.0μm MIN. Ni CONTACT AREA : 0.2μm MIN. Au SOLDER TAIL : 0.05μm MIN. Au	50
③ HOLD DOWN	PHOSPHOR BRONZE	UNDER : 1.27μm MIN. Ni SOLDER TAIL : 2.0μm MIN. Sn	2

mat'l. code		surface		tolerance		projection		product family		CODE	
---		ISO 1302		ISO 406		mm		5AZF - CF HEADER		JP	
tolerances unless otherwise specified		angles		linear		scale 2:1		title		sheet 3 of 8 size	
A		B		C		D		COMPACT FLASH HDR		A3	
RELEASED		REVISED		REVISED		REVISED		TOP MOUNT		sheet 3 of 8 size	
J20659		J05-0748		J06-0315		J06-0399		62453		A3	
HS		R.S		R.S		R.S		Product Customer Drawing		Rev.	
2/18/04		10/31/05		8/1/06		10/20/06		type		E	
dr		R.S		R.S		dr		type		E	
S.WATANABE		S.WATANABE		S.WATANABE		S.WATANABE		type		E	
7/28/08		7/28/08		7/28/08		7/28/08		type		E	
enr		enr		enr		enr		type		E	
chr		chr		chr		chr		type		E	
appd		appd		appd		appd		type		E	
S. Watanabe		S. Watanabe		S. Watanabe		S. Watanabe		type		E	
2008-7-29		2008-7-29		2008-7-29		2008-7-29		type		E	
appd		appd		appd		appd		type		E	
S. Watanabe		S. Watanabe		S. Watanabe		S. Watanabe		type		E	
2008-7-29		2008-7-29		2008-7-29		2008-7-29		type		E	
appd		appd		appd		appd		type		E	
S. Watanabe		S. Watanabe		S. Watanabe		S. Watanabe		type		E	
2008-7-29		2008-7-29		2008-7-29		2008-7-29		type		E	
appd		appd		appd		appd		type		E	
S. Watanabe		S. Watanabe		S. Watanabe		S. Watanabe		type		E	
2008-7-29		2008-7-29		2008-7-29		2008-7-29		type		E	
appd		appd		appd		appd		type		E	
S. Watanabe		S. Watanabe		S. Watanabe		S. Watanabe		type		E	
2008-7-29		2008-7-29		2008-7-29		2008-7-29		type		E	
appd		appd		appd		appd		type		E	
S. Watanabe		S. Watanabe		S. Watanabe		S. Watanabe		type		E	
2008-7-29		2008-7-29		2008-7-29		2008-7-29		type		E	
appd		appd		appd		appd		type		E	
S. Watanabe		S. Watanabe		S. Watanabe		S. Watanabe		type		E	
2008-7-29		2008-7-29		2008-7-29		2008-7-29		type		E	
appd		appd		appd		appd		type		E	
S. Watanabe		S. Watanabe		S. Watanabe		S. Watanabe		type		E	
2008-7-29		2008-7-29		2008-7-29		2008-7-29		type		E	
appd		appd		appd		appd		type		E	
S. Watanabe		S. Watanabe		S. Watanabe		S. Watanabe		type		E	
2008-7-29		2008-7-29		2008-7-29		2008-7-29		type		E	
appd		appd		appd		appd		type		E	
S. Watanabe		S. Watanabe		S. Watanabe		S. Watanabe		type		E	
2008-7-29		2008-7-29		2008-7-29		2008-7-29		type		E	
appd		appd		appd		appd		type		E	
S. Watanabe		S. Watanabe		S. Watanabe		S. Watanabe		type		E	
2008-7-29		2008-7-29		2008-7-29		2008-7-29		type		E	
appd		appd		appd		appd		type		E	
S. Watanabe		S. Watanabe		S. Watanabe		S. Watanabe		type		E	
2008-7-29		2008-7-29		2008-7-29		2008-7-29		type		E	
appd		appd		appd		appd		type		E	
S. Watanabe		S. Watanabe		S. Watanabe		S. Watanabe		type		E	
2008-7-29		2008-7-29		2008-7-29		2008-7-29		type		E	
appd		appd		appd		appd		type		E	
S. Watanabe		S. Watanabe		S. Watanabe		S. Watanabe		type		E	
2008-7-29		2008-7-29		2008-7-29		2008-7-29		type		E	
appd		appd		appd		appd		type		E	
S. Watanabe		S. Watanabe		S. Watanabe		S. Watanabe		type		E	
2008-7-29		2008-7-29		2008-7-29		2008-7-29		type		E	
appd		appd		appd		appd		type		E	
S. Watanabe		S. Watanabe		S. Watanabe		S. Watanabe		type		E	
2008-7-29		2008-7-29		2008-7-29		2008-7-29		type		E	
appd		appd		appd		appd		type		E	
S. Watanabe		S. Watanabe		S. Watanabe		S. Watanabe		type		E	
2008-7-29		2008-7-29		2008-7-29		2008-7-29		type		E	
appd		appd		appd		appd		type		E	
S. Watanabe		S. Watanabe		S. Watanabe		S. Watanabe		type		E	
2008-7-29		2008-7-29		2008-7-29		2008-7-29		type		E	
appd		appd		appd		appd		type		E	
S. Watanabe		S. Watanabe		S. Watanabe		S. Watanabe		type		E	
2008-7-29		2008-7-29		2008-7-29		2008-7-29		type		E	
appd		appd		appd		appd		type		E	
S. Watanabe		S. Watanabe		S. Watanabe		S. Watanabe		type		E	
2008-7-29		2008-7-29		2008-7-29		2008-7-29		type		E	
appd		appd		appd		appd		type		E	
S. Watanabe		S. Watanabe		S. Watanabe		S. Watanabe		type		E	
2008-7-29		2008-7-29		2008-7-29		2008-7-29		type		E	
appd		appd		appd		appd		type		E	
S. Watanabe		S. Watanabe		S. Watanabe		S. Watanabe		type		E	
2008-7-29		2008-7-29		2008-7-29		2008-7-29		type		E	
appd		appd		appd		appd		type		E	
S. Watanabe		S. Watanabe		S. Watanabe		S. Watanabe		type		E	
2008-7-29		2008-7-29		2008-7-29		2008-7-29		type		E	
appd		appd		appd		appd		type		E	
S. Watanabe		S. Watanabe		S. Watanabe		S. Watanabe		type		E	
2008-7-29		2008-7-29		2008-7-29		2008-7-29		type		E	
appd		appd		appd		appd		type		E	
S. Watanabe		S. Watanabe		S. Watanabe		S. Watanabe		type		E	
2008-7-29		2008-7-29		2008-7-29		2008-7-29		type		E	
appd		appd		appd		appd		type		E	
S. Watanabe		S. Watanabe		S. Watanabe		S. Watanabe		type		E	
2008-7-29		2008-7-29		2008-7-29		2008-7-29		type		E	
appd		appd		appd		appd		type		E	
S. Watanabe		S. Watanabe		S. Watanabe		S. Watanabe		type		E	
2008-7-29		2008-7-29		2008-7-29		2008-7-29		type		E	
appd		appd		appd		appd		type		E	
S. Watanabe		S. Watanabe		S. Watanabe		S. Watanabe		type		E	
2008-7-29		2008-7-29		2008-7-29		2008-7-29		type		E	
appd		appd		appd		appd		type		E	
S. Watanabe		S. Watanabe		S. Watanabe		S. Watanabe		type		E	
2008-7-29		2008-7-29		2008-7-29		2008-7-29		type		E	
appd		appd		appd		appd		type		E	
S. Watanabe		S. Watanabe		S. Watanabe		S. Watanabe		type		E	
2008-7-29		2008-7-29		2008-7-29		2008-7-29		type		E	
appd		appd		appd		appd		type		E	
S. Watanabe		S. Watanabe		S. Watanabe		S. Watanabe		type		E	
2008-7-29		2008-7-29		2008-7-29		2008-7-29		type		E	
appd		appd		appd		appd		type		E	
S. Watanabe		S. Watanabe		S. Watanabe		S. Watanabe		type		E	
2008-7-29		2008-7-29		2008-7-29		2008-7-29		type		E	
appd		appd		appd		appd		type		E	
S. Watanabe		S. Watanabe		S. Watanabe		S. Watanabe		type		E	
2008-7-29		2008-7-29		2008-7-29		2008-7-29		type		E	
appd		appd		appd		appd		type		E	
S. Watanabe		S. Watanabe		S. Watanabe		S. Watanabe		type		E	
2008-7-29		2008-7-29		2008-7-29		2008-7-29		type		E	
appd		appd		appd		appd		type		E	
S. Watanabe		S. Watanabe		S. Watanabe		S. Watanabe		type		E	
2008-7-29		2008-7-29		2008-7-29		2008-7-29		type		E	
appd		appd		appd		appd		type		E	
S. Watanabe		S. Watanabe		S. Watanabe		S. Watanabe		type		E	
2008-7-29		2008-7-29		2008-7-29		2008-7-29		type		E	
appd		appd		appd		appd		type		E	
S. Watanabe		S. Watanabe		S. Watanabe		S. Watanabe		type		E	
2008-7-29		2008-7-29		2008-7-29		2008-7-29		type		E	
appd		appd		appd		appd		type		E	
S. Watanabe		S. Watanabe		S. Watanabe		S. Watanabe		type		E	
2008-7-29		2008-7-29		2008-7-29		2008-7-29		type		E	
appd		appd		appd		appd		type		E	
S. Watanabe		S. Watanabe		S. Watanabe		S. Watanabe		type		E	
2008-7-29		2008-7-29		2008-7-29		2008-7-29		type		E	
appd		appd		appd		appd		type		E	
S. Watanabe		S. Watanabe		S. Watanabe		S. Watanabe		type		E	
2008-7-29		2008-7-29		2008-7-29		2008-7-29		type		E	
appd		appd		appd		appd		type		E	
S. Watanabe		S. Watanabe		S. Watanabe		S. Watanabe		type		E	
2008-7-29		2008-7-29		2008-7-29		2008-7-29		type		E	
appd		appd		appd		appd		type		E	
S. Watanabe		S. Watanabe		S. Watanabe		S. Watanabe		type		E	

PRODUCT NO.	REMARKS
62453-122LF	WITHOUT METAL PLATE(M2 SCREWS)



RECOMMENDED P.C.B. LAYOUT



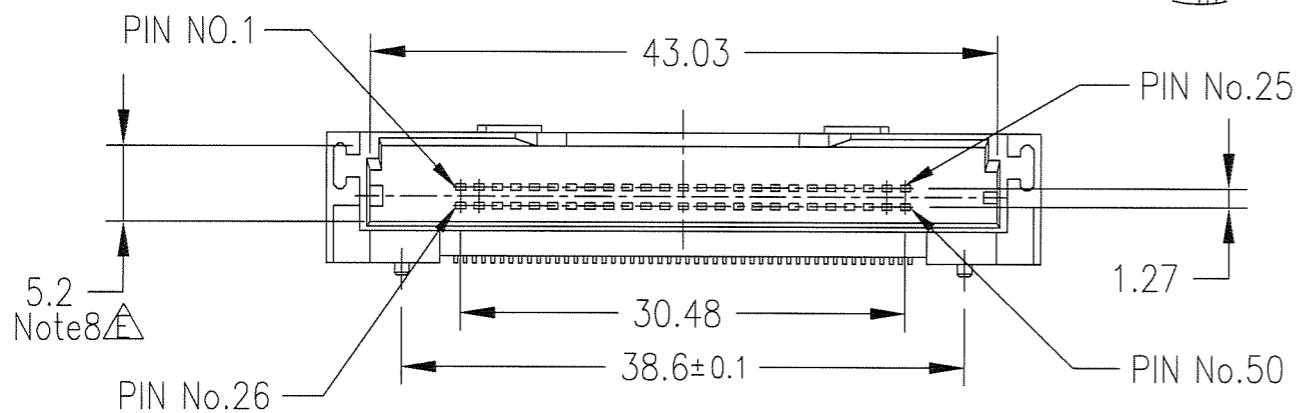
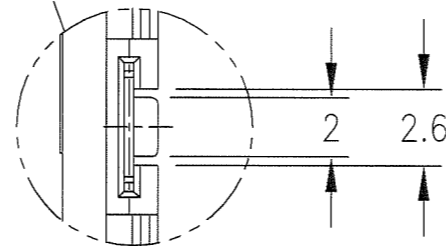
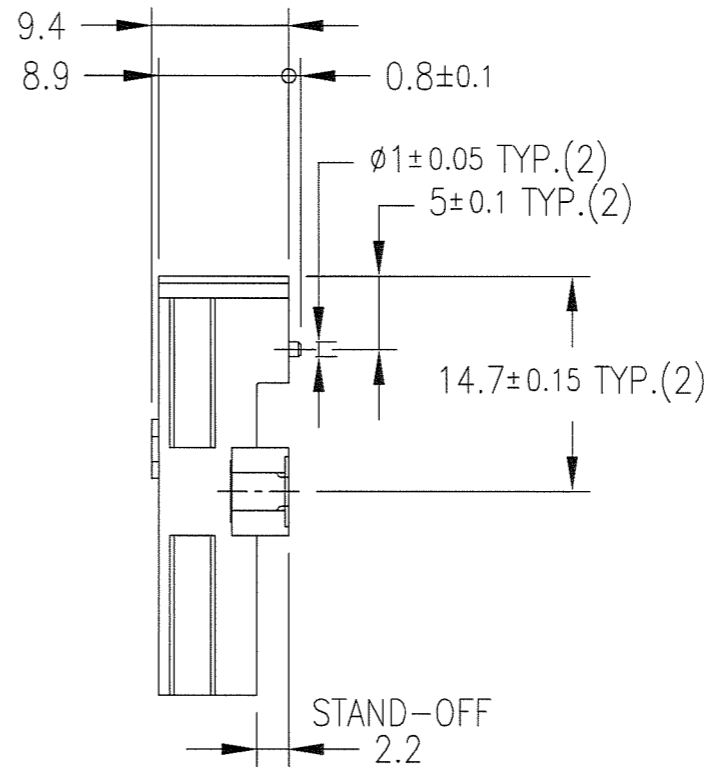
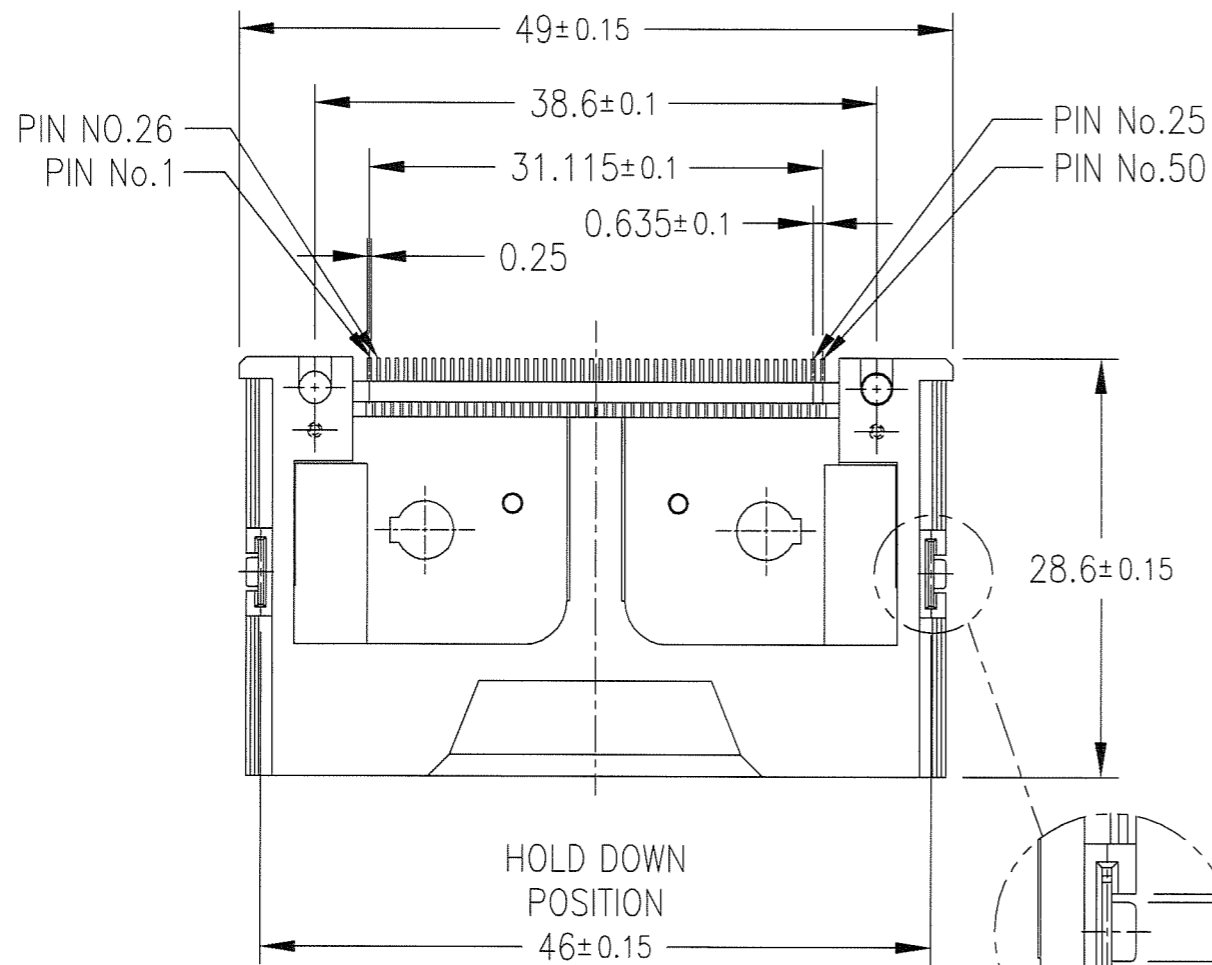
COMPONENT REFLOW KEEP OUT ZONE

NOTE

- 1.PRODUCT SPECIFICATION : 110-404
- 2.PACKAGING SPECIFICATION : GES-14-620
- 3.SOLDER TAIL CO-PLANARITY : MAX 0.1
- 4, FOR LEAD FREE P/N, THE PRODUCT MEETS EUROPEAN UNION DIRECTIVES AND OTHER COUNTRY REGULATIONS AS DESCRIBED IN GS-22-008.
- 5.THE HOUSING WILL WITHSTAND EXPOSURE TO 260°C PEAK TEMPERATURE FOR 10 SECONDS IN A CONVENTION, INTRA-RED OR VAPOR PHASE REFLOW OVEN.
- 6.MEASURED AT THE BOTTOM.

mat'l. code ---				surface ISO 1302 <input checked="" type="checkbox"/>		tolerance ISO 406 ISO 1101		projection 		product family 5AZF - CF HEADER		CODE JP
tolerances unless otherwise specified				angles		linear		mm		title COMPACT FLASH HDR TOP MOUNT		
ltr	description	ecn no	dr	date						scale 2:1		
1	RELEASED		HS	9/12/02			0.X	±0.3		sheet 4 of 8 size		
A	RELEASED	J20659	HS	12/25/02			0.XX	±0.3		62453 A3		
B	REVISED	J05-0748	R.S	10/31/05	0'±2'		0.XXX	±0.3		type Product Customer Drawing		
C	REVISED	J06-0315	R.S	8/1/06	dr	S.WATANABE	7/28/08			Rev.		
D	REVISED	J06-0399	R.S	10/20/06	enr	S.WATANABE	7/28/08			E		
E	REVISED	J08-0316	S.W	7/28/08	chr	<i>S. Watanabe</i>	2008-7-29					
sheet index		revision sheet										

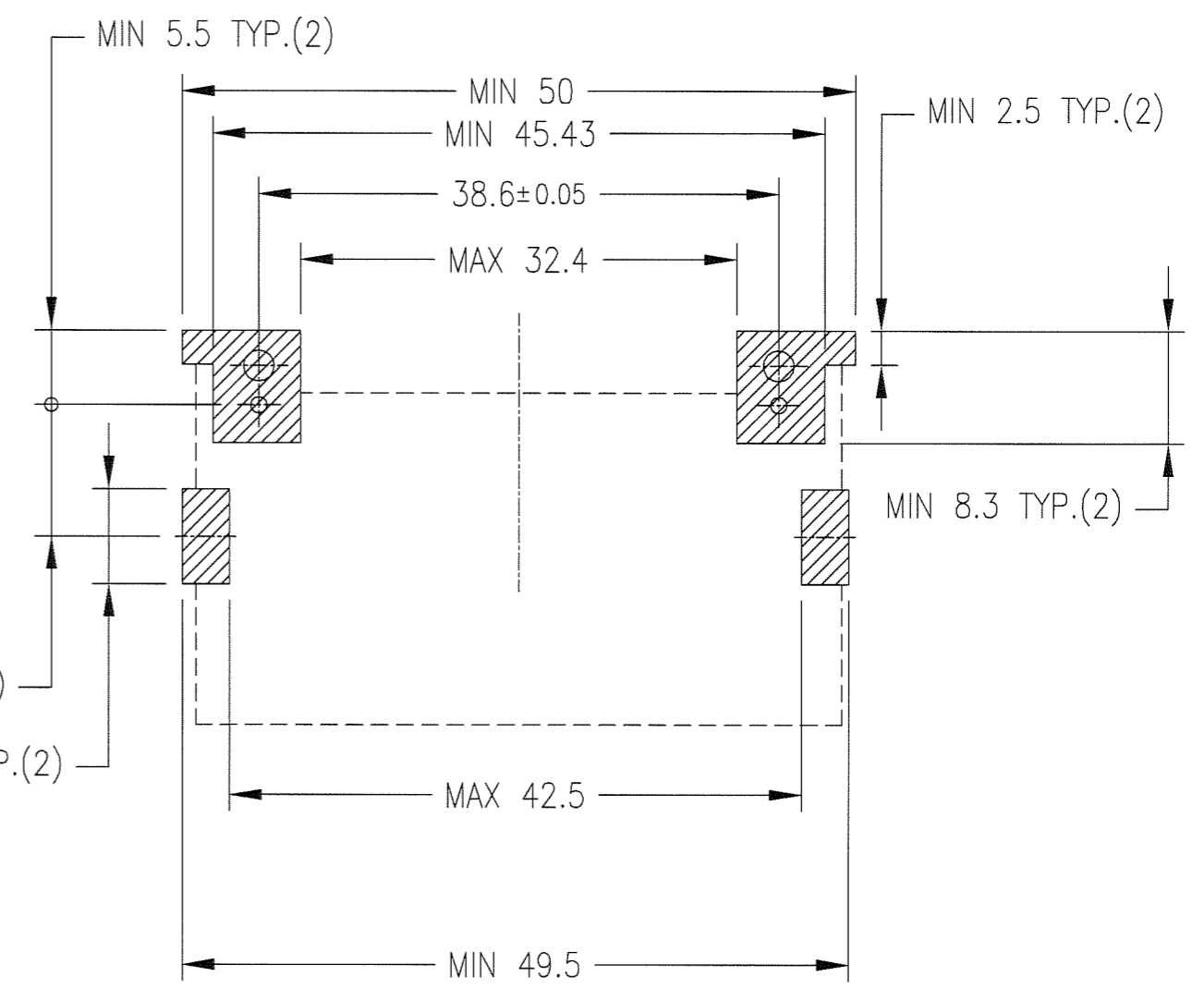
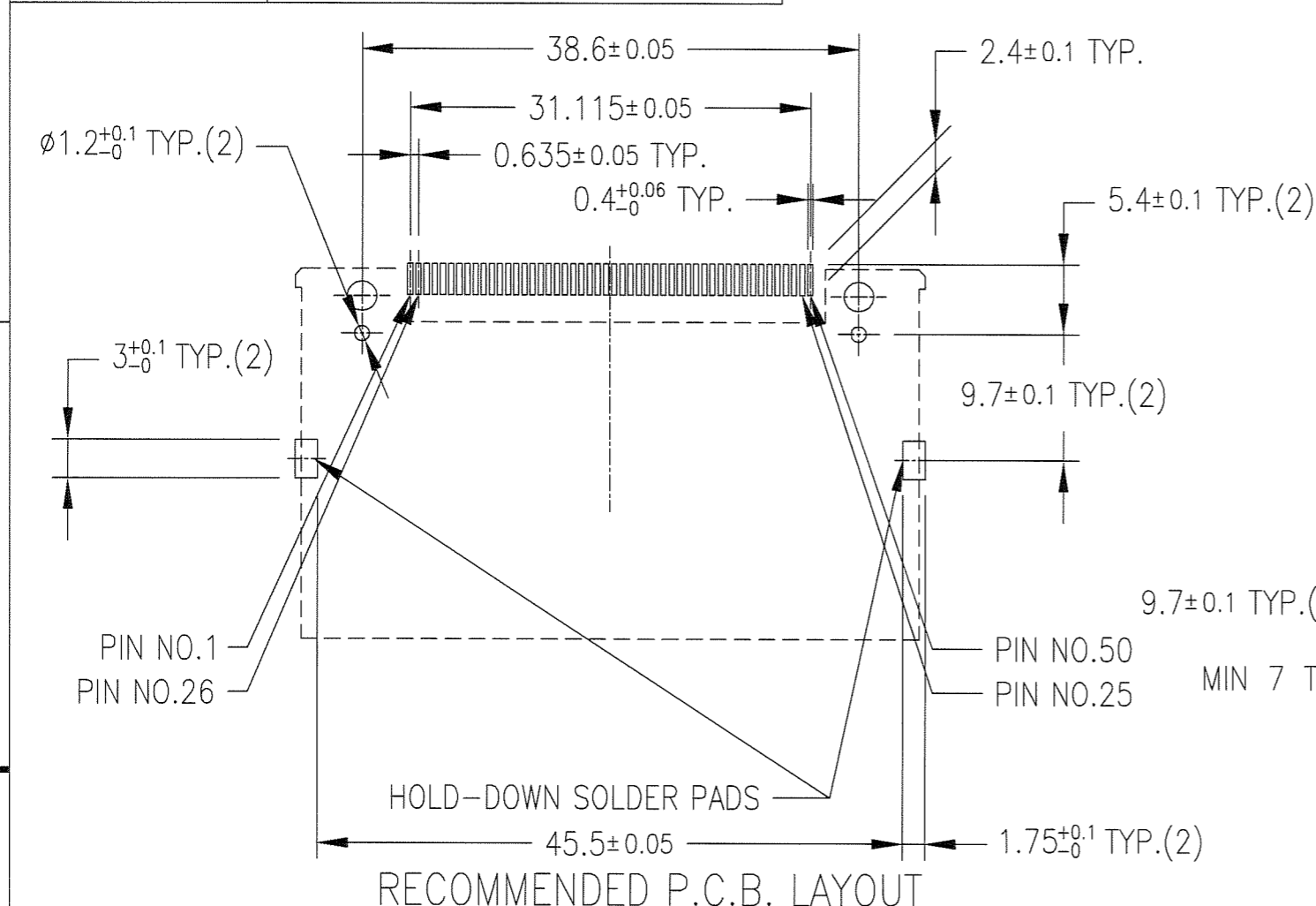
PRODUCT NO.	REMARKS
62453-222LF	WITH METAL PLATE(M2 SCREWS)



COMPONENT	MATERIAL	FINISH	QTY.
① HOUSING	FLAME RETARDANT RESIN	NONE (BLACK)	1
② PIN	PHOSPHOR BRONZE	UNDER : 1.0μm MIN. Ni CONTACT AREA : 0.2μm MIN. Au SOLDER TAIL : 0.05μm MIN. Au	50
③ HOLD DOWN	PHOSPHOR BRONZE	UNDER : 1.27μm MIN. Ni SOLDER TAIL : 2.0μm MIN. Sn	2
④ METAL PLATE	BRASS	2μm MIN. Ni	2

mat'l. code		surface		tolerance		projection		product family		CODE	
---		ISO 1302 <input checked="" type="checkbox"/>		ISO 406				5AZF - CF HEADER		JP	
				ISO 1101		mm		title			
				tolerances unless otherwise specified		scale 2:1		COMPACT FLASH HDR			
				angles				TOP MOUNT			
				linear				dwg no		sheet 5 of 8 size	
				0'±2'				62453		A3	
				0.X ±0.3				type		Product Customer Drawing	
				0.XX ±0.3				Rev.			
				0.XXX ±0.3				E			
				dr S.WATANABE 7/28/'08							
				enr S.WATANABE 7/28/'08							
				chr <i>[Signature]</i> 2008-7-29							
				appd <i>[Signature]</i> 2008-7-29							
sheet		revision									
index		sheet									

PRODUCT NO.	REMARKS
62453-222LF	WITH METAL PLATE(M2 SCREWS)



RECOMMENDED P.C.B. LAYOUT

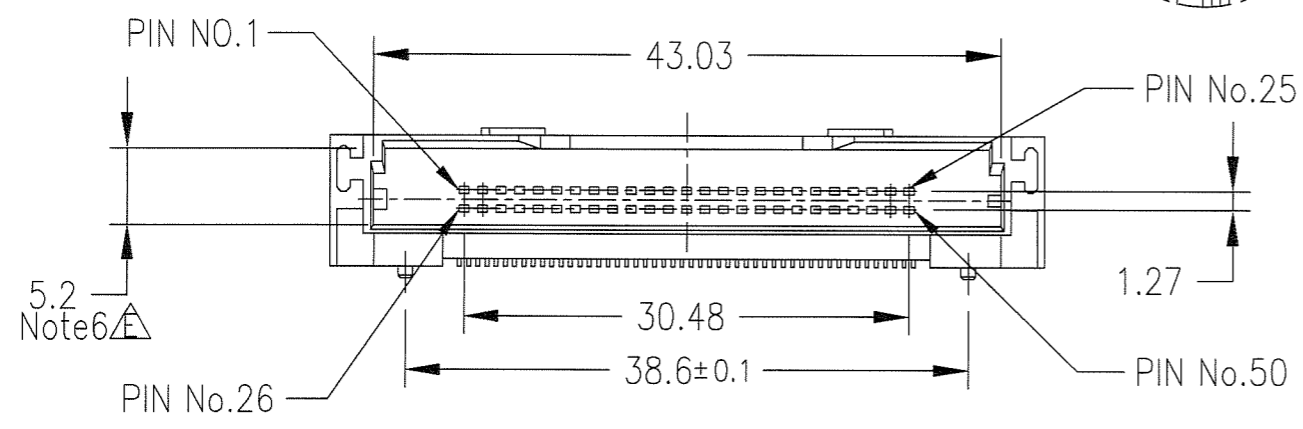
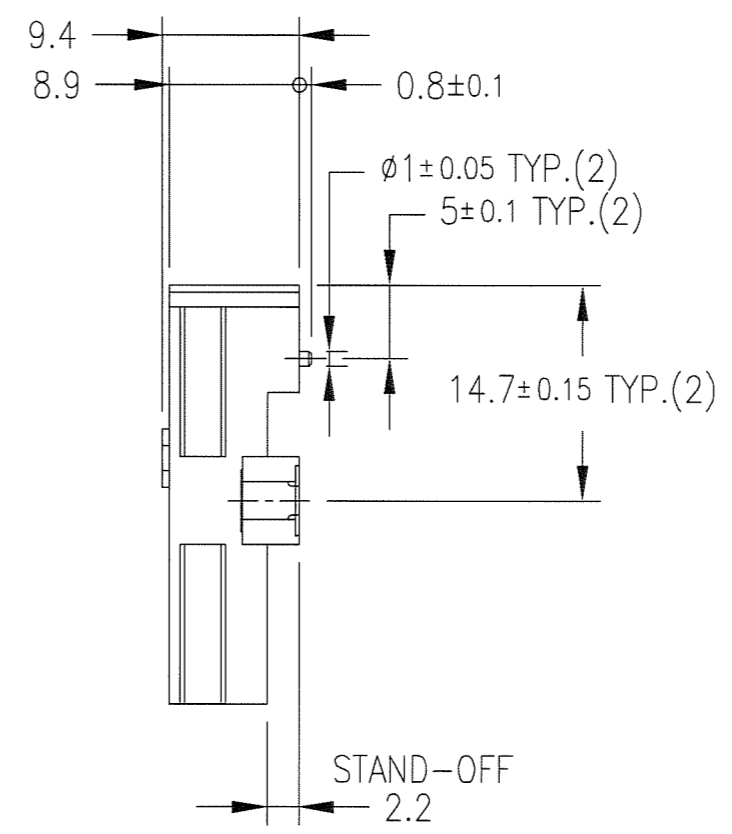
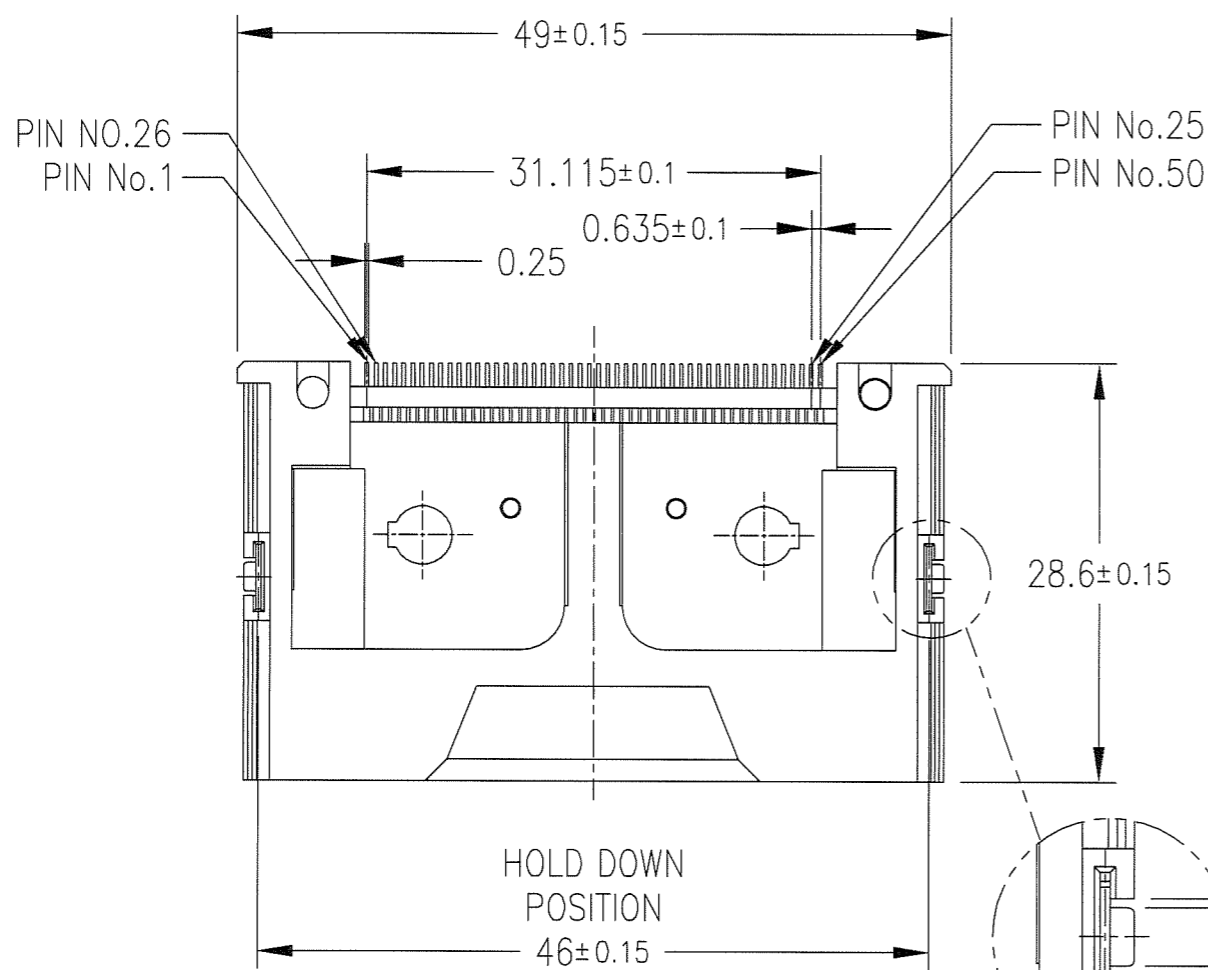
COMPONENT REFLOW KEEP OUT ZONE

NOTE

- 1.PRODUCT SPECIFICATION : 110-404
- 2.PACKAGING SPECIFICATION : GES-14-620
- 3.RECOMMENDED TIGHTENING TORQUE : 0.127N.m [1.3kgf.cm]
- 4.SOLDER TAIL CO-PLANARITY : MAX 0.1
- 5.RECOMMENDED HOLD-DOWN SCREW
M 2mm X 6mm SCREWS(FCI P/N ; 95121-001)
FOR 0.062in/1.57mm THICK PCB
- 6,FOR LEAD FREE P/N, THE PRODUCT MEETS EUROPEAN UNION DIRECTIVES AND OTHER COUNTRY REGULATIONS AS DESCRIBED IN GS-22-008.
- 7.THE HOUSING WILL WITHSTAND EXPOSURE TO 260°C PEAK TEMPERATURE FOR 10 SECONDS IN A CONVENTION, INTRA-RED OR VAPOR PHASE REFLOW OVEN.
- 8.MEASURED AT THE BOTTOM.

mat'l. code				surface		tolerance		projection		product family		CODE
---				ISO 1302		ISO 406		mm		5AZF - CF HEADER		JP
						ISO 1101				title		
ltr	description	ecn no	dr	date	tolerances unless otherwise specified		scale 2:1		COMPACT FLASH HDR			
1	RELEASED		HS	9/12/02	angles	0.X	±0.3	TOP MOUNT				
A	RELEASED	J20659	HS	12/25/02	linear	0.XX	±0.3					
B	REVISED	J05-0748	R.S	10/31/05	0'±2'	0.XXX	±0.3					
C	REVISED	J06-0315	R.S	8/1/06	dr	S.WATANABE	7/28/08	FCI		dwg no	sheet 6 of 8 size	
D	REVISED	J06-0399	R.S	10/20/06	enr	S.WATANABE	7/28/08			62453	A3	
E	REVISED	J08-0316	S.W	7/28/08	chr					type	Product Customer Drawing	
sheet index		revision sheet								Rev. E		

PRODUCT NO.	REMARKS
62453-622LF	WITHOUT METAL PLATE(M2 SCREWS)



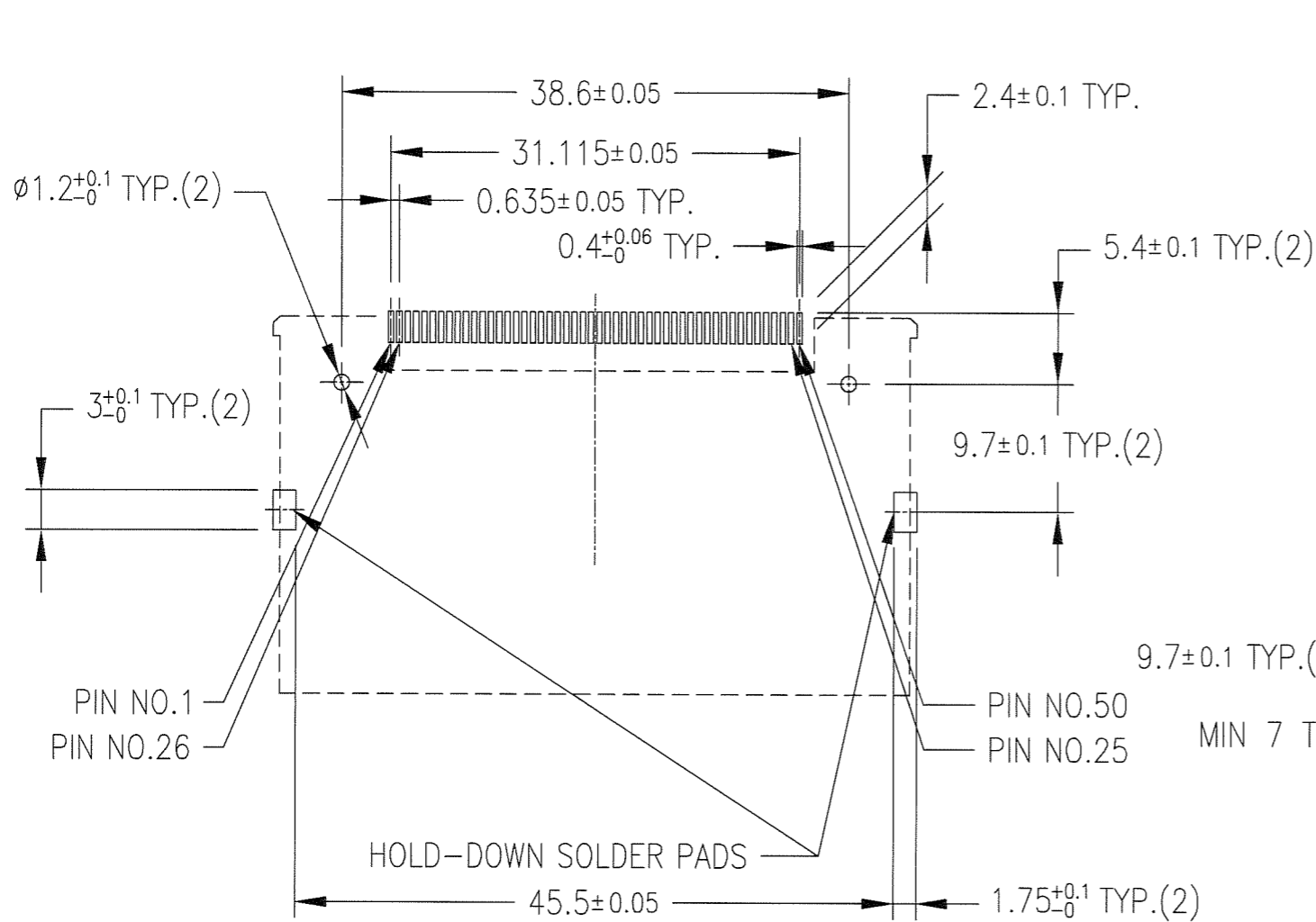
COMPONENT	MATERIAL	FINISH	QTY.
① HOUSING	FLAME RETARDANT RESIN	NONE (BLACK)	1
② PIN	PHOSPHOR BRONZE	UNDER : 1.0μm MIN. Ni CONTACT AREA : 0.76μm MIN. Au SOLDER TAIL : 0.05μm MIN. Au	50
③ HOLD DOWN	PHOSPHOR BRONZE	UNDER : 1.27μm MIN. Ni SOLDER TAIL : 2.0μm MIN. Sn	2

mat'l. code		surface		tolerance		projection		product family		CODE	
---		ISO 1302 <input checked="" type="checkbox"/>		ISO 406				5AZF - CF HEADER		JP	
				tolerances unless otherwise specified				title			
ltr	description	ecn no	dr	date	angles	linear	mm	COMPACT FLASH HDR			
A	RELEASED	J05-0357	M.H	6/16/05		0.X ±0.3		TOP MOUNT			
B	REVISED	J05-0748	R.S	10/31/05		0.XX ±0.3					
C	REVISED	J06-0315	R.S	8/1/06	0°±2'	0.XXX ±0.3	scale 2:1				
D	REVISED	J06-0399	R.S	10/20/06	dr	S.WATANABE	7/28/08	dwg no		sheet 7 of 8 size	
E	REVISED	J08-0316	S.W	7/28/08	enr	S.WATANABE	7/28/08	62453		A3	
								type		Product Customer Drawing	
sheet index		revision sheet								Rev. E	

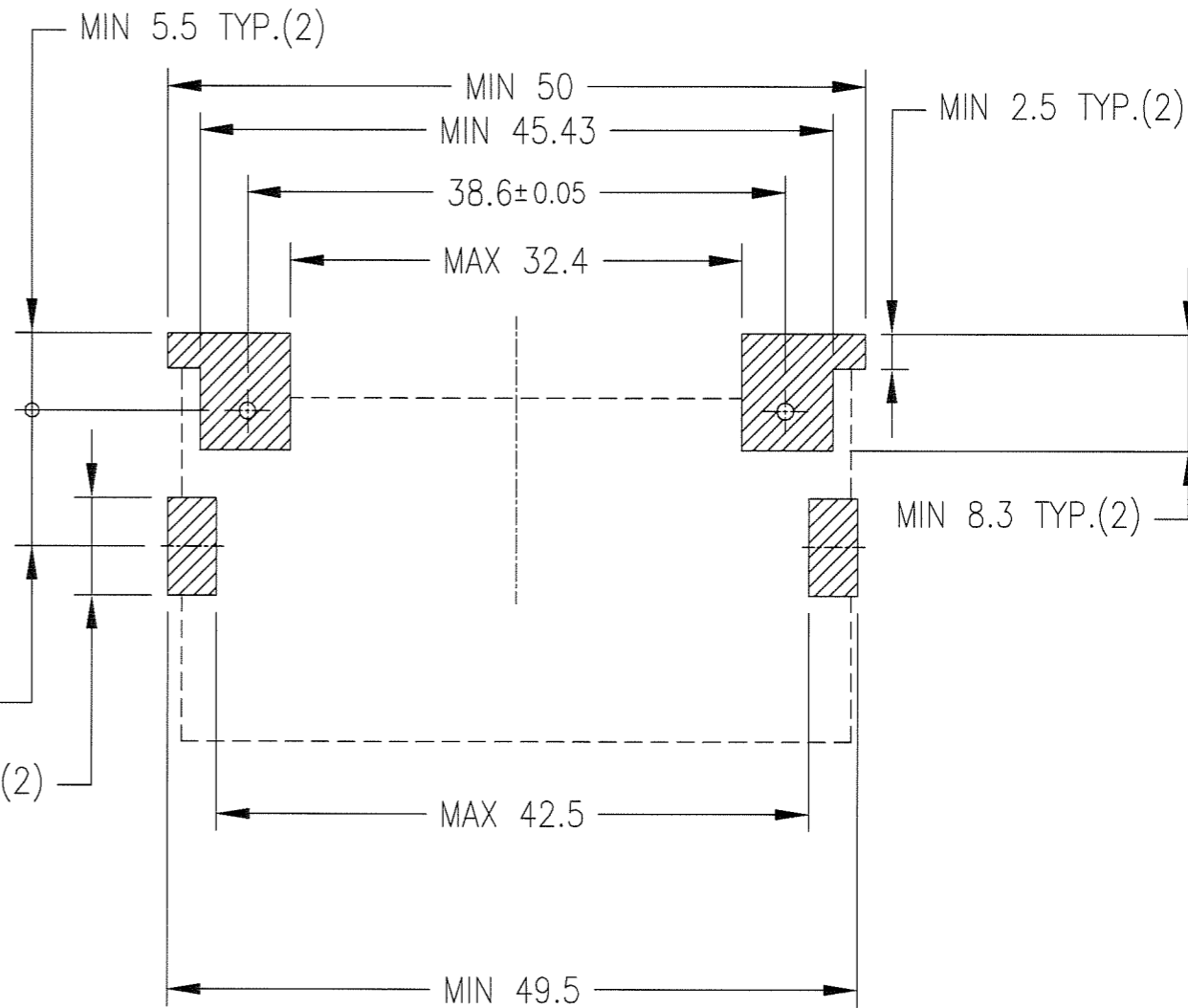


Copyright FCI

PRODUCT NO.	REMARKS
62453-622LF	WITHOUT METAL PLATE(M2 SCREWS)



RECOMMENDED P.C.B. LAYOUT



COMPONENT REFLOW KEEP OUT ZONE

NOTE

- PRODUCT SPECIFICATION : 110-404
- PACKAGING SPECIFICATION : GES-14-620
- SOLDER TAIL CO-PLANARITY : MAX 0.1
- FOR LEAD FREE P/N, THE PRODUCT MEETS EUROPEAN UNION DIRECTIVES AND OTHER COUNTRY REGULATIONS AS DESCRIBED IN GS-22-008.
- THE HOUSING WILL WITHSTAND EXPOSURE TO 260°C PEAK TEMPERATURE FOR 10 SECONDS IN A CONVENTION, INTRA-RED OR VAPOR PHASE REFLOW OVEN.
- MEASURED AT THE BOTTOM.

mat'l. code ---				surface ISO 1302 <input checked="" type="checkbox"/>		tolerance ISO 406 ISO 1101		projection 		product family 5AZF - CF HEADER		CODE JP
ltr	description	ecn no	dr	date	tolerances unless otherwise specified		mm		title COMPACT FLASH HDR TOP MOUNT			
A	RELEASED	J05-0357	M.H	6/16/05	angles	linear	0.X	±0.3	scale 2:1			
B	REVISED	J05-0748	R.S	10/31/05			0.XX	±0.3				
C	REVISED	J06-0315	R.S	8/1/06	0°±2'		0.XXX	±0.3	dwg no			
D	REVISED	J06-0399	R.S	10/20/06	dr	S.WATANABE	7/28/08	sheet 8 of 8		size		
E	REVISED	J08-0316	S.W	7/28/08	enr	S.WATANABE	7/28/08	62453		A3		
sheet index		revision sheet		chr		appd		type		Product Customer Drawing		
				2008-7-29		2008-7-29		Rev.		E		

Mouser Electronics

Authorized Distributor

Click to View Pricing, Inventory, Delivery & Lifecycle Information:

[FCI / Amphenol:](#)

[62453-022LF](#)