

OX/OY Series

Ceramic Composition 10% Tolerance

The OX/OY Series of fixed ceramic resistors are ideal for circuitry associated with surges, high peak power or high energy. They offer enhanced performance in high voltage power supplies, R-C snubber circuits, and inrush limiters. The OX/OY resistors can often replace carbon composition resistors which can be difficult to source.



FEATURES

- Replaces 1 and 2 watt carbon composition resistors
- Meets high energy density demands
- High peak power
- 10% Tolerance

SERIES SPECIFICATIONS

Series	Watts max.*	Resistance range	Joules max.**	Max. working volts
OX	1	3.3Ω-100K	50	300
OY	2	3.3Ω-1M	80	400

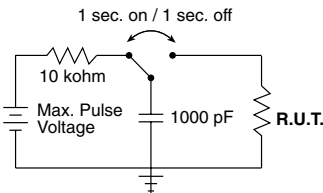
* at 70°C. **For a single impulse.

CHARACTERISTICS

Terminals	Pb-free solder-coated axial	
Coating	Silicone ceramic	
Derating	Linear from 100% @ +70°C to 0% @ +200°C	
Operating Temp. Range	-40°C to +220°C	
Tolerance	±10% standard	
Power Rating	Based on 70°C free air rating	
Temperature Coefficient	-1300 ±300ppm/°C.	

	OX	OY
Max Working Voltage	300V	400V
Dielectric Strength	500V	700V
Max Overload Voltage	600V	800V
Max Pulse Voltage¹	14KV	20KV
Pulse Tolerance, 100 pulses	1240V @ 52μF, 40J/ 35 sec.	1640V @ 52μF, 70J/35 sec.

¹See figures



14KV and 20KV values used in circuit as shown; full voltage not applied directly to resistor.

Test	Condition	Maximum ΔR
Life Test	MIL-STD-202, Method 108	±5%
Short Time Overload	2x rated V, 5 sec ON @ 70°C	±(2% +0.05Ω)
Resistance to Pulse¹	20,000 cycles. See circuit for test conditions	±5%
Thermal Shock	MIL-STD-202, Method 107	±(2% ±0.05Ω)
Moisture Resistance	1000 hrs @ 40°C, 90 - 95% RH	±5%

Resistance to Pulse



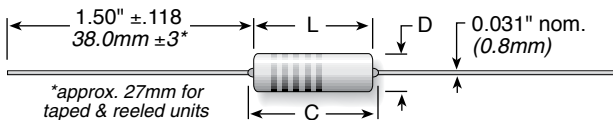
(continued)

OX/OY Series

Ceramic Composition
10% Tolerance

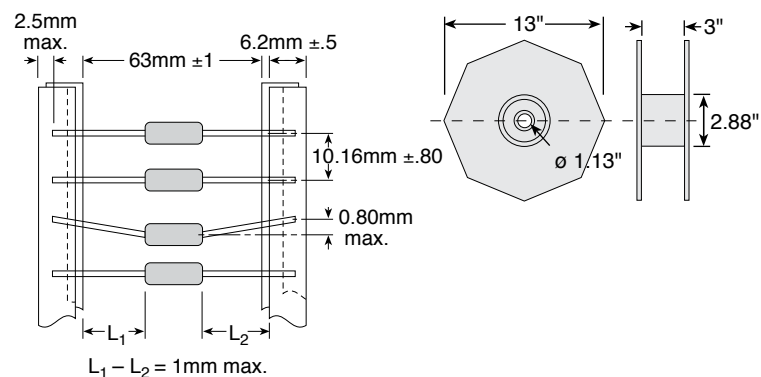
DIMENSIONS

in./mm



Series	Length L ±.039 (±1.0)	Length C max.	Diameter D ±.039 (±1.0)	Qty. per reel
OX	0.65 / 16.5	0.748 / 19.0	0.217 / 5.5	1000
OY	0.748 / 19.0	0.886 / 22.5	0.276 / 7.0	500

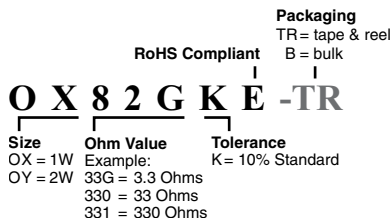
Tape and Reel Dimensions



ORDERING INFORMATION

Standard part numbers for OX/OY Series

Ohmic value	Part No. Prefix Suffix	Wattage 1 2	Ohmic value	Part No. Prefix Suffix	Wattage 1 2	Ohmic value	Part No. Prefix Suffix	Wattage 1 2	Ohmic value	Part No. Prefix Suffix	Wattage 1 2	Ohmic value	Part No. Prefix Suffix	Wattage 1 2
3.3	—33GKE	✓ ✓	27	—270KE	✓ ✓	220	—221KE	✓ ✓	1800	—182KE	✓ ✓	15000	—153KE	✓ ✓
3.9	—39GKE	✓ ✓	33	—330KE	✓ ✓	270	—271KE	✓ ✓	2200	—222KE	✓ ✓	18000	—183KE	✓ ✓
4.7	—47GKE	✓ ✓	39	—390KE	✓ ✓	330	—331KE	✓ ✓	2700	—272KE	✓ ✓	22000	—223KE	✓ ✓
5.6	—56GKE	✓ ✓	47	—470KE	✓ ✓	390	—391KE	✓ ✓	3300	—332KE	✓ ✓	27000	—273KE	✓ ✓
6.8	—68GKE	✓ ✓	56	—560KE	✓ ✓	470	—471KE	✓ ✓	3900	—392KE	✓ ✓	33000	—333KE	✓ ✓
8.2	—82GKE	✓ ✓	68	—680KE	✓ ✓	560	—561KE	✓ ✓	4700	—472KE	✓ ✓	39000	—393KE	✓ ✓
10	—100KE	✓ ✓	82	—820KE	✓ ✓	680	—681KE	✓ ✓	5600	—562KE	✓ ✓	47000	—473KE	✓ ✓
12	—120KE	✓ ✓	100	—101KE	✓ ✓	820	—821KE	✓ ✓	6800	—682KE	✓ ✓	56000	—563KE	✓ ✓
15	—150KE	✓ ✓	120	—121KE	✓ ✓	1000	—102KE	✓ ✓	8200	—822KE	✓ ✓	68000	—683KE	✓ ✓
18	—180KE	✓ ✓	150	—151KE	✓ ✓	1200	—122KE	✓ ✓	10000	—103KE	✓ ✓	82000	—823KE	✓ ✓
22	—220KE	✓ ✓	180	—181KE	✓ ✓	1500	—152KE	✓ ✓	12000	—123KE	✓ ✓	100000	—104KE	✓ ✓
														1 MEG —105KE ✓ ✓



Mouser Electronics

Authorized Distributor

Click to View Pricing, Inventory, Delivery & Lifecycle Information:

Ohmite:

[OX68GK](#) [OX221K](#) [OX271K](#) [OY391K](#) [OY39GK](#) [OY33GK](#) [OY394K](#) [OY471K](#) [OY47GK](#) [OY334K](#) [OY824K](#)
[OX473K](#) [OX823K](#) [OX561K](#) [OX56GK](#) [OX471K](#) [OX563K](#) [OY474K](#) [OX152K](#) [OY68GK](#) [OX121K](#) [OY472K](#) [OX120K](#)
[OX150K](#) [OX100K](#) [OY56GK](#) [OX270K](#) [OY561K](#) [OX680K](#) [OX220K](#) [OX470K](#) [OX820K](#) [OX391K](#) [OX682K](#) [OY224K](#)
[OX822K](#) [OY684K](#) [OY104K](#) [OY272K](#) [OY222K](#) [OX560K](#) [OY333K](#) [OY393K](#) [OX390K](#) [OX330K](#) [OY564K](#) [OY682K](#)
[OY473K](#) [OY123K](#) [OY153K](#) [OY103K](#) [OY183K](#) [OY121K](#) [OY184K](#) [OX82GK](#) [OX821K](#) [OY274K](#) [OX183K](#) [OX103K](#)
[OX123K](#) [OX153K](#) [OX562K](#) [OX681K](#) [OY181K](#) [OY101K](#) [OY151K](#) [OY271K](#) [OY221K](#) [OX151K](#) [OX181K](#) [OX101K](#)
[OY82GK](#) [OY683K](#) [OY821K](#) [OX222K](#) [OX104K](#) [OX223K](#) [OY470K](#) [OY150K](#) [OY100K](#) [OY180K-TR](#) [OY560K](#)
[OY120K](#) [OY390K](#) [OY330K](#) [OX273K](#) [OX272K](#) [OY562K](#) [OY152K](#) [OY182K](#) [OY122K](#) [OY105K](#) [OY102K](#) [OY223K](#)
[OY273K](#) [OY332K](#) [OY392K](#) [OY331K](#) [OY154K](#) [OX122K](#)