

This document is the property of Amphenol Corporation and is delivered on the express condition that is not to be disclosed, reproduced or used, in whole or in part, for manufacture or sale by anyone other than Amphenol Corporation without its prior consent, and that no right is granted to disclose or to use any information in this document.
The marking on this product doesn't contain environmental hazardous materials per directive 2011/65/EU & 2015/863/EU for RoHS compliant.

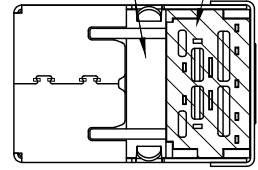


ORIGINAL

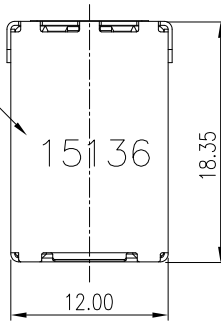


REVISIONS				
SYM	ECN No.	DESCRIPTION	DATE	BY
A		RELEASE REVISION	10/29/2010	Arron Lin
B	NE-14144	ADD DATE CODE	08/01/2014	Arron Lin
C	NE-15098	ADD DIM & REMOVE "3.0" MARK/3.30mm OPTION	08/19/2015	Arron Lin
D	NE-15133	ADD DIM 3.75(ref.) & 10.30(ref.)	11/03/2015	Arron Lin
E	NE-17098	ADD FLANGE LENGTH, CHANGE D/C DETAIL RULE	05/01/2017	Arron Lin
F	NE-18054	ADD SOME DIM FOR CUSTOMER REQUIREMENT	03/05/2018	Roger Tsai
A1	NE-21106	UPDATE USB2.0 TERMINAL/DATE CODE /PACKING	2021-08-13	Debby Hung

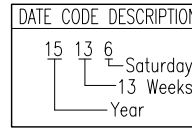
HOUSING: PBT
BAFFLE: NYLON66



Date code



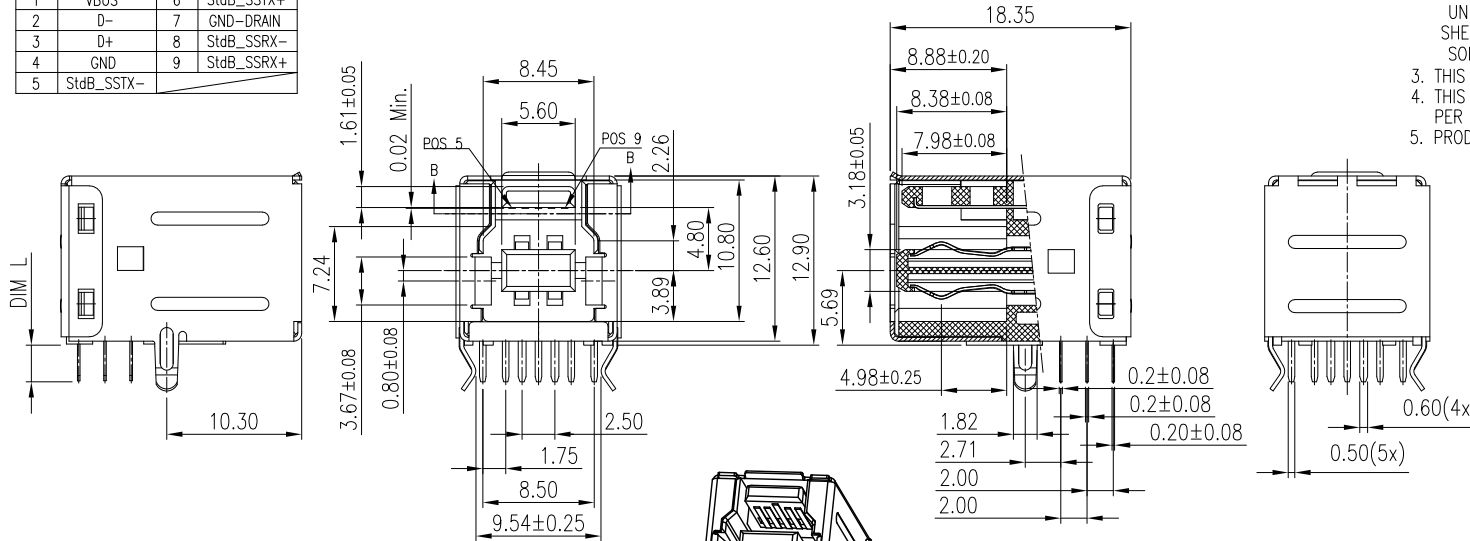
PART NO. GSB3211XXXWEU
PLATING OPTIONS
3: 30u" GOLD
DIM L
1: 2.80 MM
COLOR
1: BLUE
3: BLACK



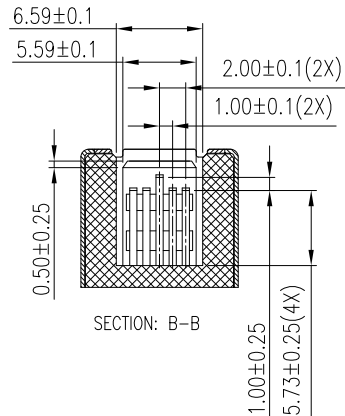
NOTES:

- MATERIAL:
HOUSING: THERMOPLASTIC, PBT, UL94V-0. COLOR: OPTION.
BAFFLE : THERMOPLASTIC, NYLON66, UL94V-0. COLOR: OPTION.
TERMINAL A(5P): COPPER ALLOY.
TERMINAL B(4P): COPPER ALLOY.
SHELL: COPPER ALLOY.
- FINISH:
TERMINAL A & TERMINAL B:
CONTACT AREA: SELECTIVE GOLD PLATING;
SOLDERING AREA: MATTE TIN PLATING 100 μm THICKNESS MIN.;
UNDER PLATING: NICKEL PLATING 50 μm THICKNESS MIN. OVERALL.
SHELL:
SOLDERABLE NICKEL PLATING 50 μm THICKNESS MIN. OVERALL.
- THIS PRODUCT IS FOR WAVE SOLDERING ONLY.
- THIS PRODUCT DOESN'T CONTAIN ENVIRONMENTAL HAZARDOUS PER DIRECTIVE 2011/65/EU & 2015/863/EU FOR RoHS COMPLIANT.
- PRODUCT SPECIFICATION REFER TO : PS-7425

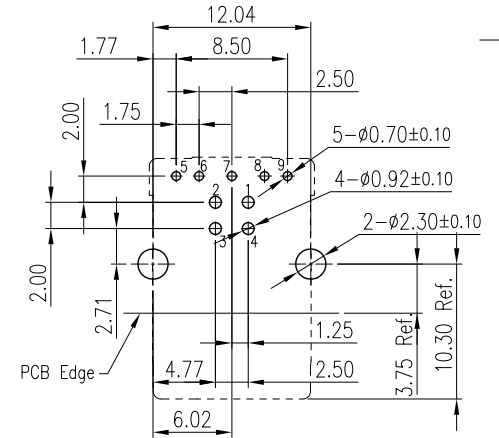
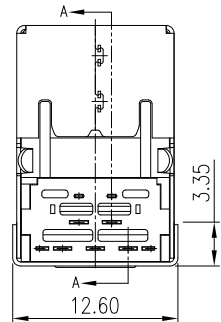
Pin Number	Signal Name	Pin Number	Signal Name
1	VBUS	6	StdB_SSTX+
2	D-	7	GND-DRAIN
3	D+	8	StdB_SSRX-
4	GND	9	StdB_SSRX+
5	StdB_SSTX-		



SECTION: A-A



SECTION: B-B



RECOMMEND PCB LAYOUT, TOLERANCE±0.05
TOP VIEW, PCB THICKNESS=1.60MM

TOLERANCE	APPROVALS	DATE	TITLE	Amphenol®		
X. X.X ±0.30 X.XX ±0.20 X.XXX ±0.10	DRAWN Debby Hung	2021-08-13	USB 3.0 B TYPE RECEPTACLE RIGHT ANGLE, DIP TYPE	Amphenol Corporation Amphenol Taiwan Corporation		
ANGULAR ±1°	CHECKED Sandy Wu	2021-08-13		PART No.	GSB3211XXXWEU	
UNLESS OTHERWISE SPECIFIED	APPROVED Roger Tsai	2021-08-13		DWG No.	GSB3211XXXWEU	
	DWG TYPE CUST DWG	PROJECT CODE OTHER	UNIT mm	SCALE NA	SIZE A3	REV. A1

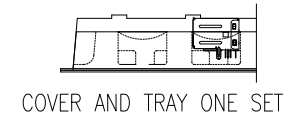
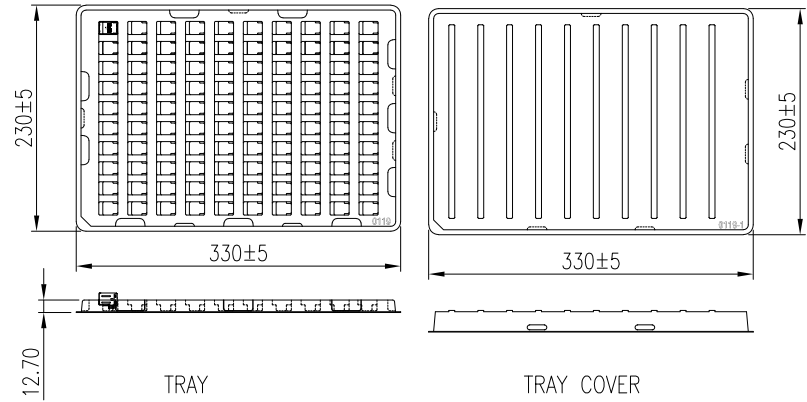
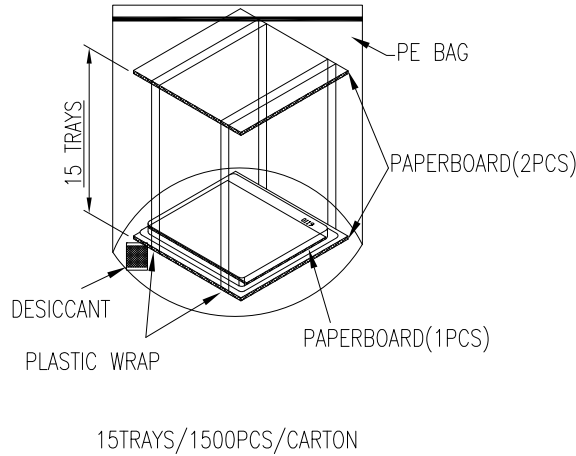
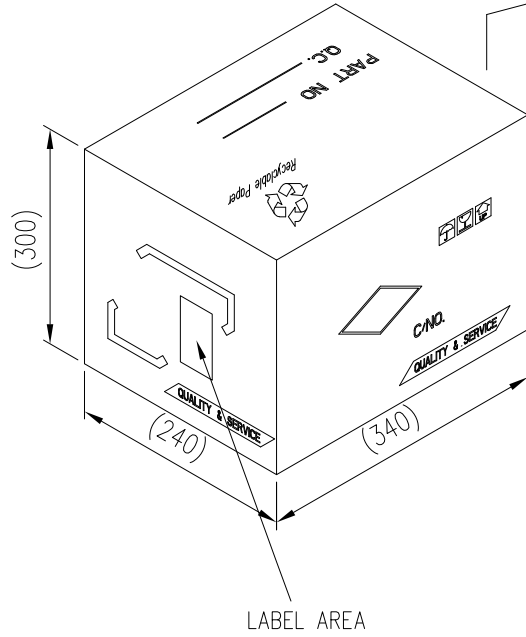
This document is the property of Amphenol Corporation and is delivered on the express condition that is not to be disclosed, reproduced or used, in whole or in part, for manufacture or sale by anyone other than Amphenol Corporation without its prior consent, and that no right is granted to disclose or to use any information in this document.
The marking on this product doesn't contain environmental hazardous materials per directive 2011/65/EU & 2015/863/EU for RoHS compliant.



ORIGINAL



REVISIONS				
SYM	ECN No.	DESCRIPTION	DATE	BY
A		RELEASE REVISION	10/29/2010	Arron Lin
B	NE-14144	ADD DATE CODE	08/01/2014	Arron Lin
C	NE-15098	ADD DIM & REMOVE " 3.0" MARK/3.30mm OPTION	08/19/2015	Arron Lin
D	NE-15133	ADD DIM 3.75(ref.) & 10.30(ref.)	11/03/2015	Arron Lin
E	NE-17098	ADD FLANGE LENGTH, CHANGE D/C DETAIL RULE	05/01/2017	Arron Lin
F	NE-18054	ADD SOME DIM FOR CUSTOMER REQUIREMENT	03/05/2018	Roger Tsai
A1	NE-21106	UPDATE USB2.0 TERMINAL/DATE CODE /PACKING	2021-08-13	Debby Hung



PACKAGING BY TRAY	8.3	7.0	100	15	1500	GSB3211XXXWEU
	G/W KG	N/W KG	PCS/TRAY	TRAYS/BOX	QUANTITY (PCS)	PART NUMBER

TOLERANCE	APPROVALS	DATE	TITLE		PART No.	
X. ±0.30	DRAWN Debby Hung	2021-08-13	USB 3.0 B TYPE RECEPTACLE RIGHT ANGLE, DIP TYPE		Amphenol® Amphenol Corporation Amphenol Taiwan Corporation	
X.X ±0.20	CHECKED Sandy Wu	2021-08-13				
X.XXX ±0.10	APPROVED Roger Tsai	2021-08-13	UNIT mm SCALE NA		PART No. GSB3211XXXWEU	
ANGULAR ±1°	DWG TYPE CUST DWG	PROJECT CODE OTHER			SHEET 2 OF 2	
UNLESS OTHERWISE SPECIFIED						