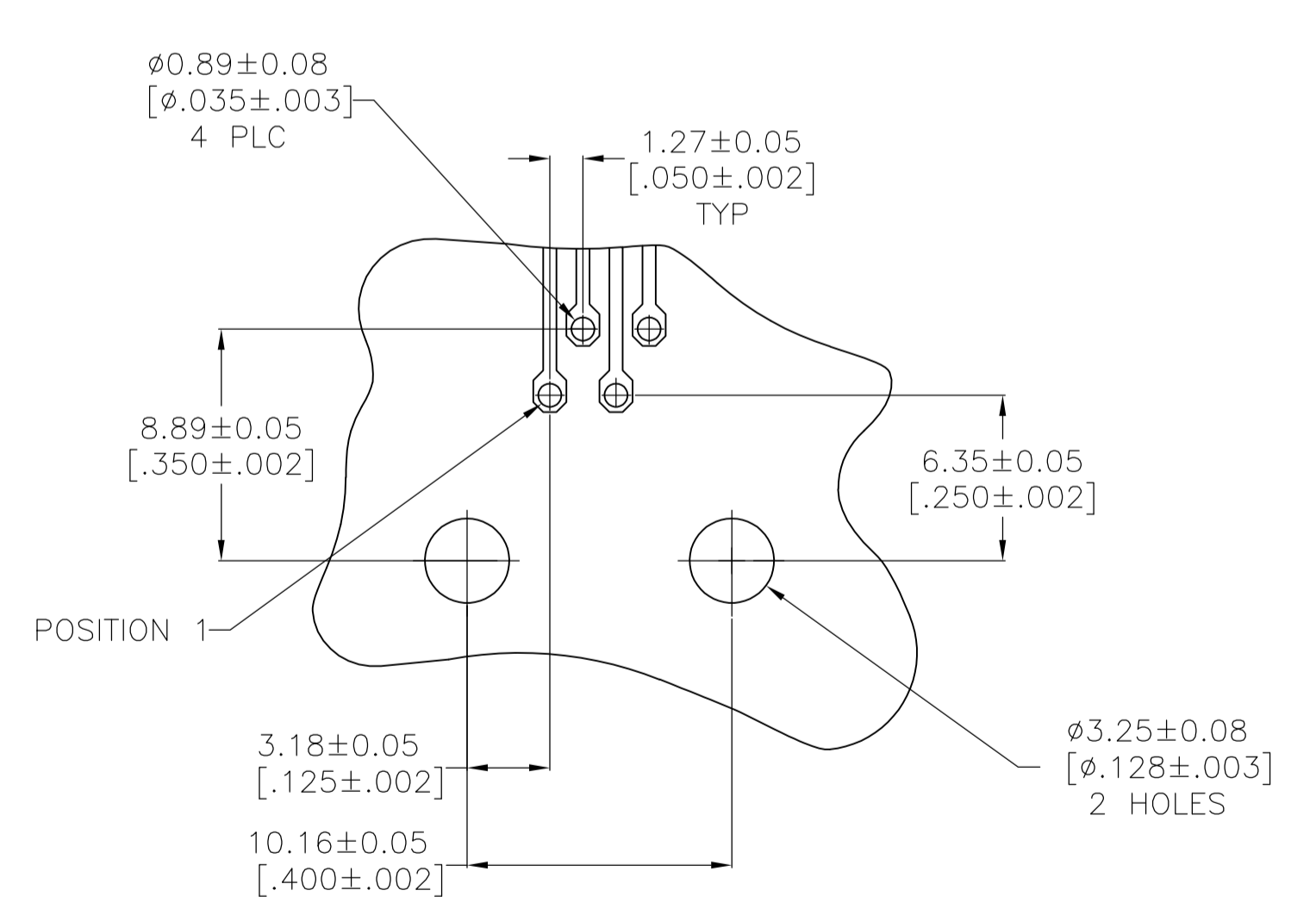
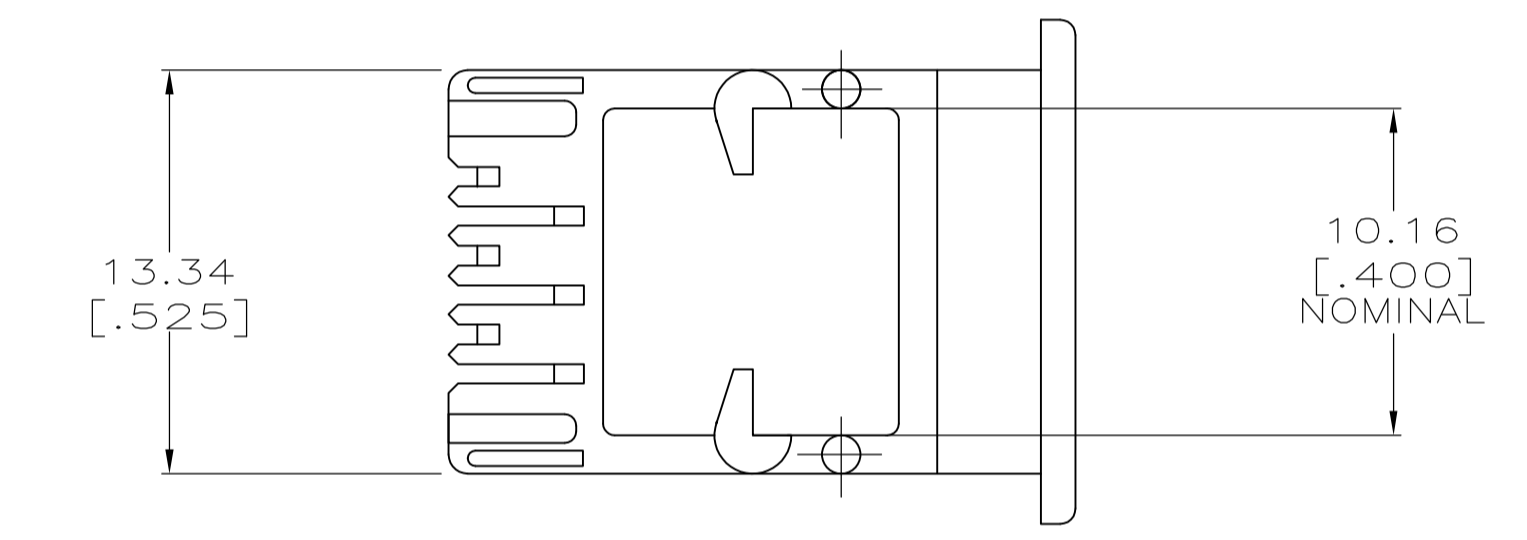
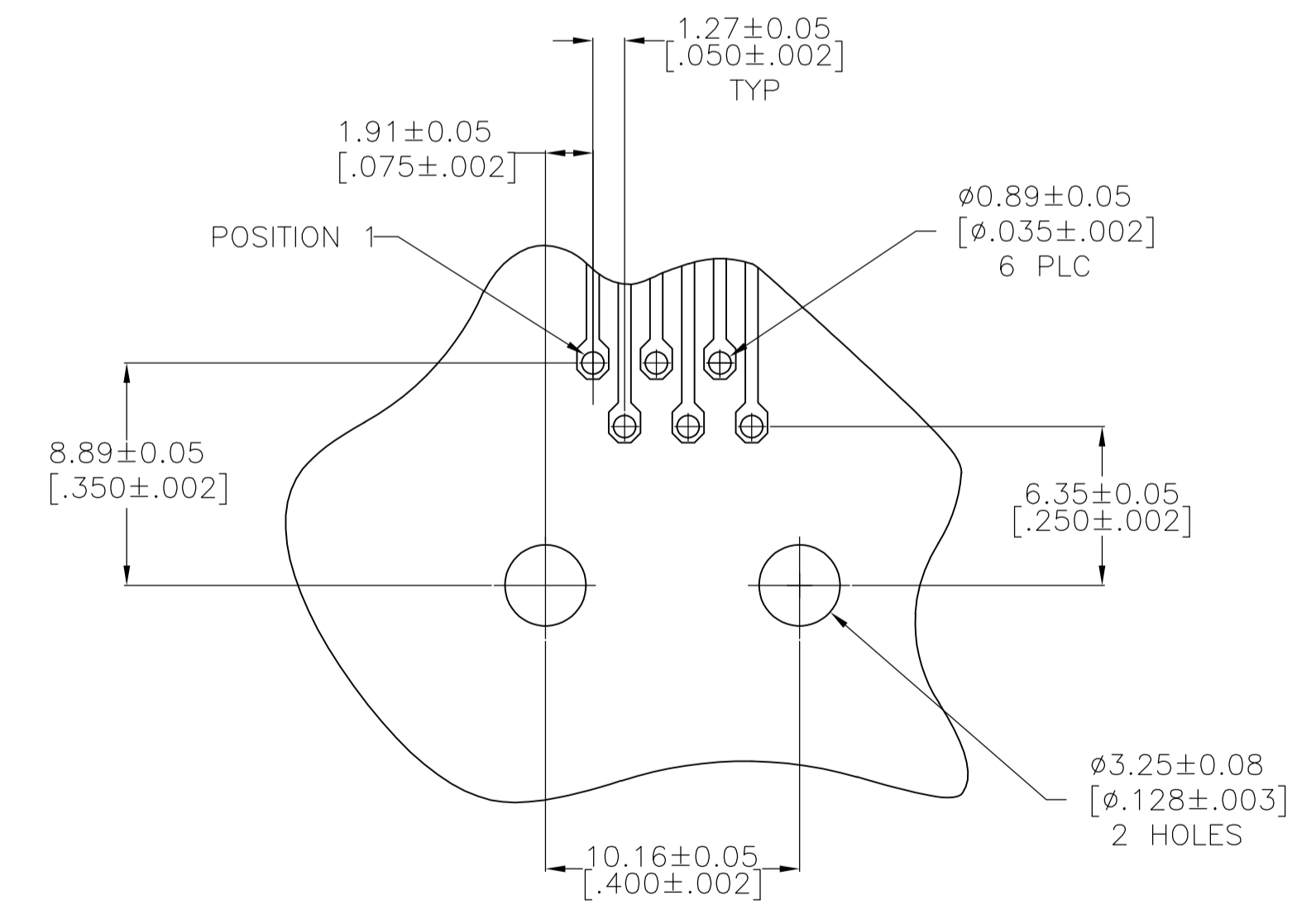


SUGGESTED PANEL CUTOUT GUIDELINES  
 SCALE 1:1



RECOMMENDED PRINTED CIRCUIT BOARD LAYOUT  
 FOR FOUR CONTACTS  
 COMPONENT SIDE



RECOMMENDED PRINTED CIRCUIT BOARD LAYOUT  
 FOR SIX CONTACTS  
 COMPONENT SIDE

- 1 MATERIAL:  
 HOUSING - PBT POLYESTER, BLACK.  
 TERMINAL - 0.36 [.014] THICK PH05 BRONZE PLATED WITH 1.27µm [.000050] MINIMUM THICK HARD GOLD IN LOCALIZED GOLD PLATE AREA AND 3.81µm [.000150] THICK MATTE TIN IN SOLDER AREA OVER 1.27µm [.000050] MINIMUM THICK NICKEL UNDERPLATE.
- 2 CAVITY CONFORMS TO FCC RULES AND REGULATION PART 68 AND REA BULLETIN 345-81, PE-76 SPECIFICATION FOR MODULAR TELEPHONE HARDWARE.
- 3 ALL DIMENSION ARE MAXIMUM UNLESS OTHERWISE SPECIFIED.

6	5520242-3
4	5520242-2
CONTACTS	PART NO.

THIS DRAWING IS A CONTROLLED DOCUMENT.		DIN J. ALCORTA - 17JUN2005 DOCK45		Tyco Electronics Corporation	
DIMENSIONS: mm [INCHES]		CIK J. WESTMAN 17JUN2005		Harrisburg, PA 17105-3608	
TOLERANCES UNLESS OTHERWISE SPECIFIED:		APVD S. FLICKINGER 17JUN2005		NAME	
0 PLC ± -	1 PLC ± -	PRODUCT SPEC		PRINTED CIRCUIT BOARD MODULAR	
2 PLC ± -	3 PLC ± -	APPLICATION SPEC		JACK ASSEMBLY SIDE ENTRY,	
4 PLC ± -	ANGLES ± -	114-2048		6 POSITION, FLANGED	
MATERIAL 1	FINISH 1	WEIGHT -	SIZE A1	CAGE CODE 00779	DRAWING NO. 5520242
CUSTOMER DRAWING		SCALE 4:1	SHEET 1 OF 1	REV C	

# Mouser Electronics

Authorized Distributor

Click to View Pricing, Inventory, Delivery & Lifecycle Information:

[TE Connectivity:](#)

[5520242-3](#)