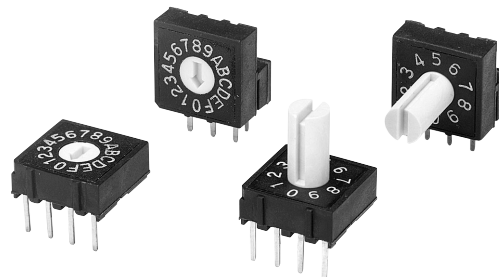


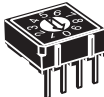
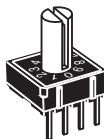
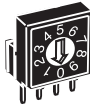
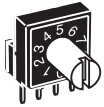
Rotary DIP Switch A6R/A6RV

Low-Cost Rotary DIP Switches

- Series includes top-actuated, side-actuated, flat, and extended-shaft models.
- The rotor has an O-ring sealed construction that prevents the ingress of dirt and dust.
- Two different types of terminal arrangements are available for each model to allow flexibility of circuit design.
- RoHS Compliant.



Ordering Information

Output code	Number of positions	Terminal arrangement	Top-actuated flat	Top-actuated extended shaft	Side-actuated flat	Side-actuated extended shaft
						
BCD 1-2-4-8	10	4 × 1	A6R-101RF	A6R-101RS	A6RV-101RF	A6RV-101RS
		3 × 3	A6R-102RF	A6R-102RS	A6RV-102RF	A6RV-102RS
BCD Hexadecimal 1-2-4-8	16	4 × 1	A6R-161RF	A6R-161RS	A6RV-161RF	A6RV-161RS
		3 × 3	A6R-162RF	A6R-162RS	A6RV-162RF	A6RV-162RS

Note: Switches are delivered in units of 48 per tube. Order in multiples of 48.

Specifications

■ Ratings/Characteristics

Switching Capacity	25 mA at 24 VDC	
Min. Permissible Load	10 μA at 3.5 VDC	
Contact resistance	200 mΩ max.	
Insulation resistance	100 MΩ min. (at 250 VDC)	
Dielectric strength	250 VAC for 1 minute between terminals	
Operating torque	200 g-cm max. (1.96 x 10 ⁻² N-m max.)	
Vibration resistance	Malfunction: 10 to 55 Hz, 1.5-mm double amplitude	
Shock resistance	Malfunction: 300 m/s ² (30G) min.	
Ambient operating temperature	-25 to 80°C at 60% RH max. (with no icing or condensation)	
Ambient operating humidity	35% to 95% (at 5 to 35°C)	
Electrical service life	5,000 steps min.	
Weight (See note 2)	Top-actuated:	Approx. 0.6 g
	Side-actuated:	Approx. 0.8 g

- Note:
1. Data shown are of initial value.
 2. Add 0.13 g for the extended-shaft version of each model
 3. Switches cannot be water washed

■ Output Codes

10-position Models

Type	BCD 1-2-4-8			
	Terminal No. Position	1	2	4
0				
1	●			
2		●		
3	●	●		
4			●	
5	●		●	
6		●	●	
7	●	●	●	
8				●
9	●			●

16-position Models

Type	BCD/hexadecimal 1-2-4-8			
	Terminal No. Position	1	2	4
0				
1	●			
2		●		
3	●	●		
4			●	
5	●		●	
6		●	●	
7	●	●	●	
8				●
9	●			●
A		●		●
B	●	●		●
C			●	●
D	●		●	●
E		●	●	●
F	●	●	●	●

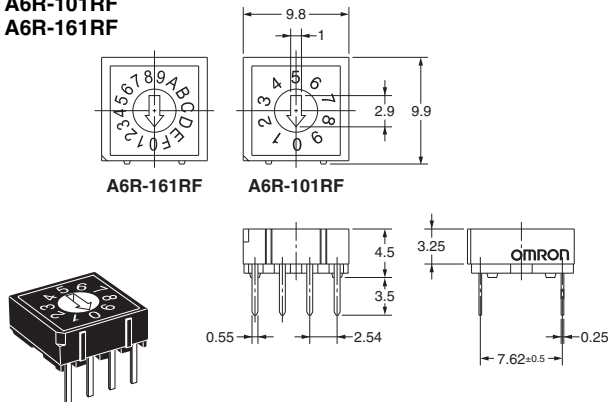
Note: "●" indicates that the internal switch is ON.

Dimensions

Note: 1. All units are in millimeters unless otherwise indicated.
 2. Unless otherwise specified, a tolerance of ± 0.4 mm applies to all dimensions.

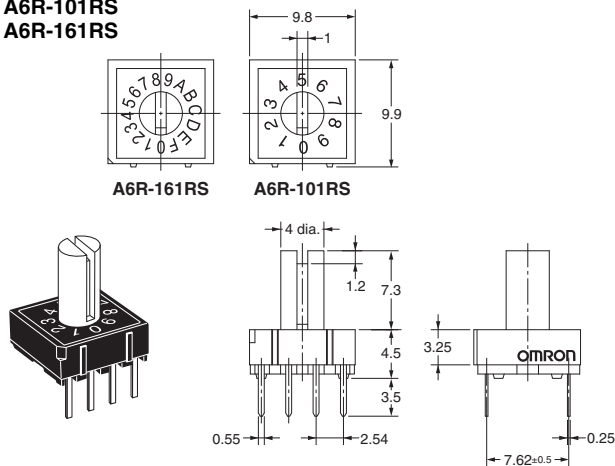
Top-actuated Flat Models with 4x1 Terminal Arrangement

A6R-101RF
A6R-161RF



4x1 Terminal Arrangement

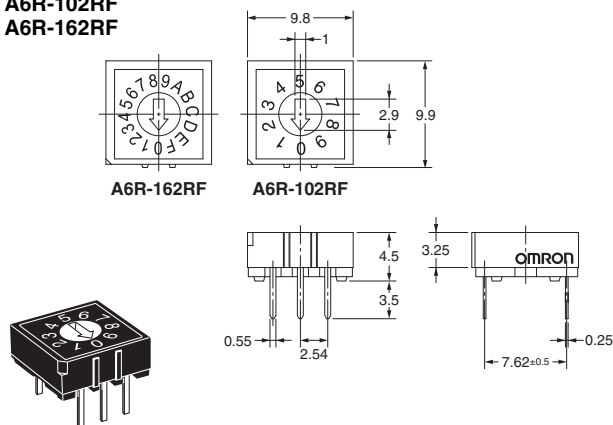
A6R-101RS
A6R-161RS



Top-actuated Extended-shaft Models with

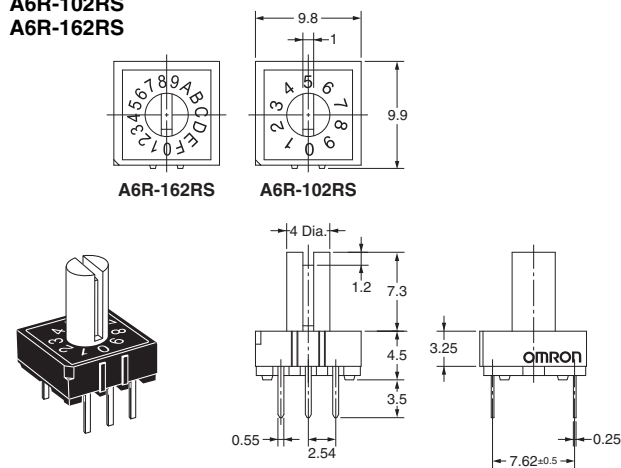
Top-actuated Flat Models with 3x3 Terminal Arrangement

A6R-102RF
A6R-162RF



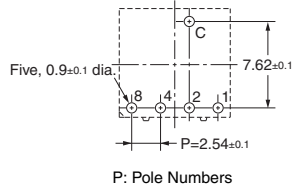
Top-actuated Extended-shaft Models with 3x3 Terminal Arrangement

A6R-102RS
A6R-162RS

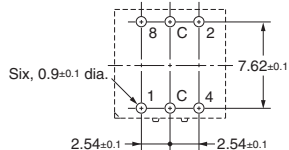


Mounting holes Top-actuated models

4x1 Terminal

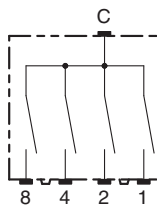


3x3 Terminal

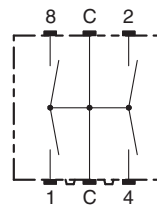


Internal connections Top-actuated models

4x1 Terminal

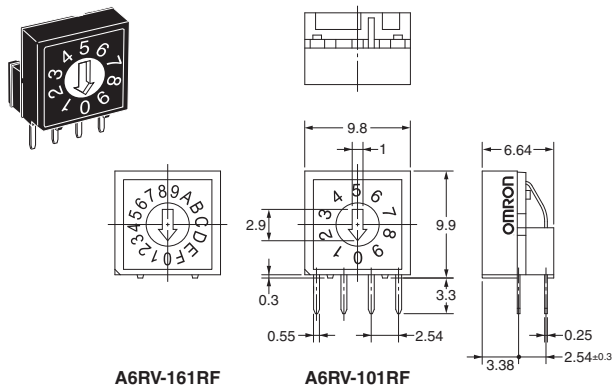


3x3 Terminal



Side-actuated Flat Models with 4x1 Terminal Arrangement

A6RV-101RF
A6RV-161RF

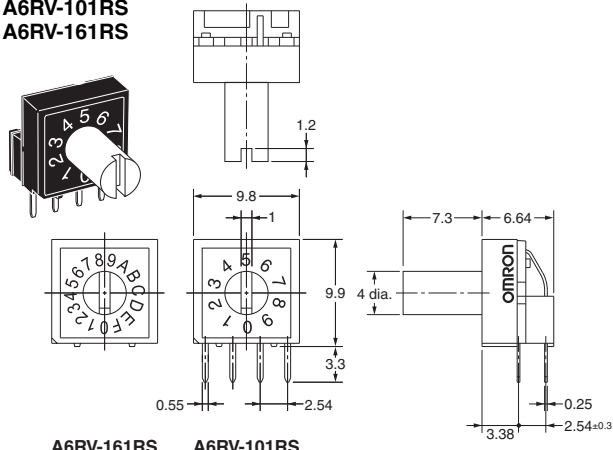


A6RV-161RF

A6RV-101RF

Side-actuated Extended-shaft Models with 4x1 Terminal Arrangement

A6RV-101RS
A6RV-161RS

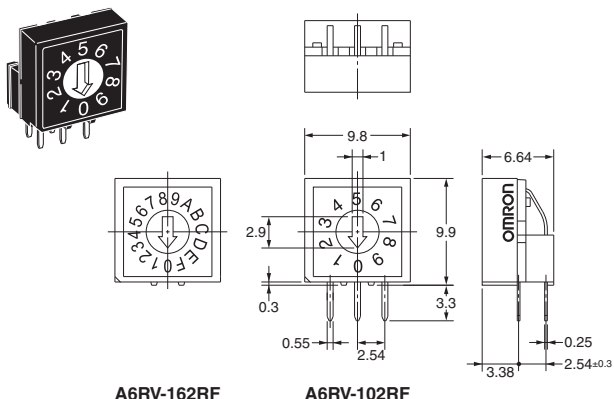


A6RV-161RS

A6RV-101RS

Side-actuated Flat Models with 3x3 Terminal Arrangement

A6RV-102RF
A6RV-162RF

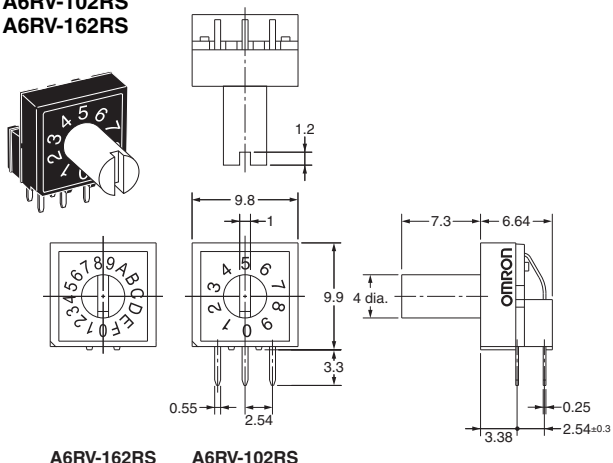


A6RV-162RF

A6RV-102RF

Side-actuated Extended-shaft Models with 3x3 Terminal Arrangement

A6RV-102RS
A6RV-162RS

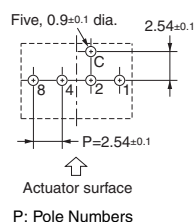


A6RV-162RS

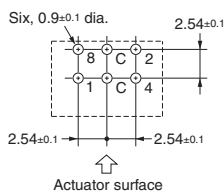
A6RV-102RS

Mounting holes Side-actuated models

4x1 Terminal

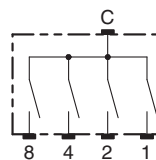


3x3 Terminal

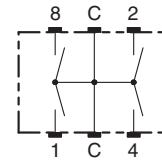


Internal connections Side-actuated models

4x1 Terminal



3x3 Terminal



All sales are subject to Omron Electronic Components LLC standard terms and conditions of sale, which can be found at http://www.components.omron.com/components/web/webfiles.nsf/sales_terms.html

ALL DIMENSIONS SHOWN ARE IN MILLIMETERS.
To convert millimeters into inches, multiply by 0.03937. To convert grams into ounces, multiply by 0.03527.

OMRON[®]

**OMRON ELECTRONIC
COMPONENTS LLC**

55 E. Commerce Drive, Suite B
Schaumburg, IL 60173

847-882-2288

OMRON ON-LINE

Global - <http://www.omron.com>

USA - <http://www.components.omron.com>

Mouser Electronics

Authorized Distributor

Click to View Pricing, Inventory, Delivery & Lifecycle Information:

[Omron:](#)

[A6R-101RS](#) [A6RV-162RF](#) [A6RV-102RF](#) [A6RV-101RS](#) [A6RV-101RF](#) [A6R-101RF](#) [A6RV-161RF](#) [A6R-162RS](#)
[A6R-162RF](#) [A6R-161RF](#) [A6R-161RS](#) [A6R-102RF](#) [A6R-102RS](#) [A6RV-161RS](#) [A6RV-162RS](#) [A6RV-102RS](#)