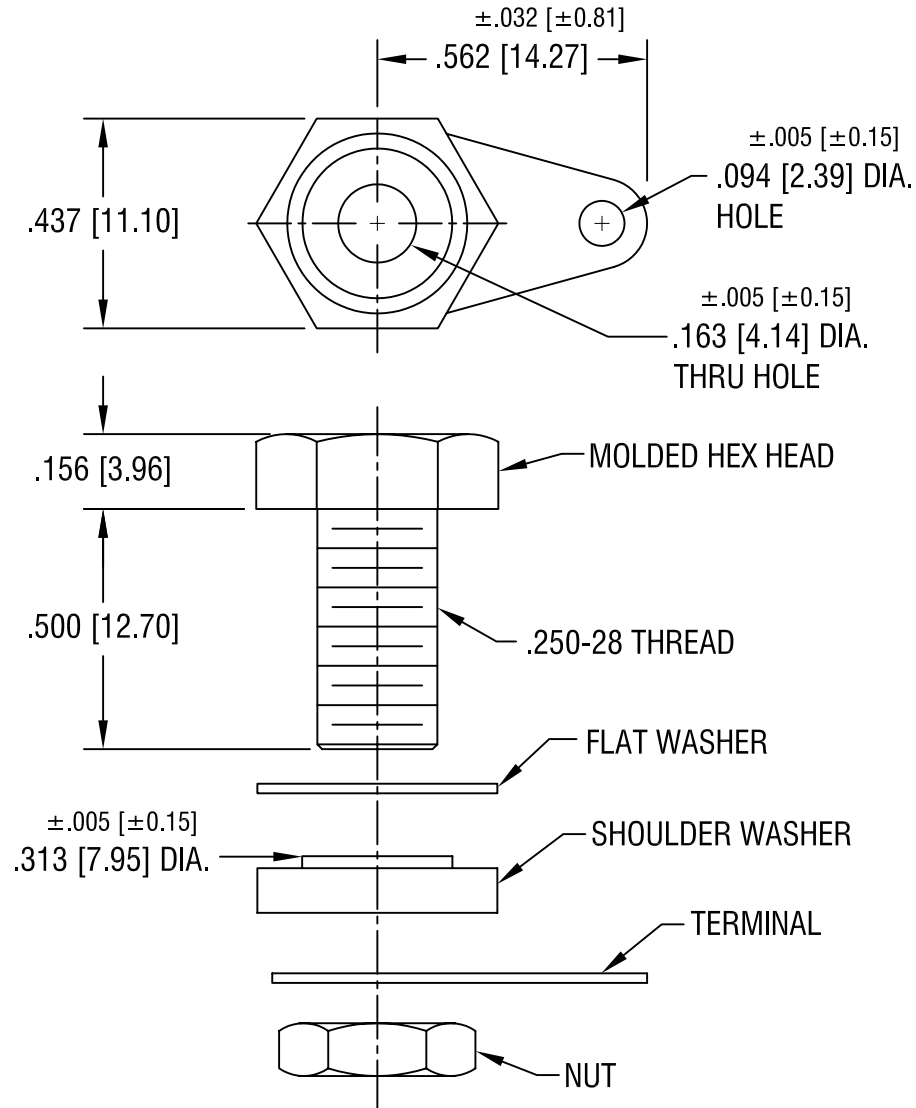


THIS DOCUMENT IS THE PROPERTY OF KEYSTONE ELECTRONICS CORP. AND SHALL NOT BE REPRODUCED, DISTRIBUTED OR USED AS A BASIS FOR MANUFACTURE WITHOUT PRIOR WRITTEN PERMISSION FROM KEYSTONE ELECTRONICS CORP.



NOTES:

- 1. BODY : HEX HEAD - PHENOLIC  
SHAFT - BRASS, NICKEL PLATE  
FLAT WASHER: PHENOLIC  
SHOULDER WASHER: PHENOLIC  
TERMINAL: COPPER, TIN PLATE  
NUT: BRASS, NICKEL PLATE
- 2. HARDWARE SUPPLIED UNASSEMBLED

PART NO.	HEAD COLOR
6093	RED
6094	BLACK

<b>KEYSTONE ELECTRONICS CORP.</b>			
ASTORIA, N.Y. 11105-2017			
PART NAME			
INSULATED BANANA JACK			
MATERIAL			
AS NOTED			
FINISH		DRN BY	DATE
AS NOTED		BOONE	12.28.82
		APP'D	SCALE
		LN	2.5X
TOLERANCES	INCH [MM]	CODE	DWG NO.
DECIMAL	$\pm .010$ [ $\pm 0.25$ ]	C	<b>6093-6094</b>
ANGULAR	$\pm 1^\circ$		
UNLESS OTHERWISE SPECIFIED			

9.24.07	CHANGE AS PER ECN 07-058	C
DATE	DESCRIPTION	REV.

# Mouser Electronics

Authorized Distributor

Click to View Pricing, Inventory, Delivery & Lifecycle Information:

[Keystone Electronics:](#)

[6094](#)