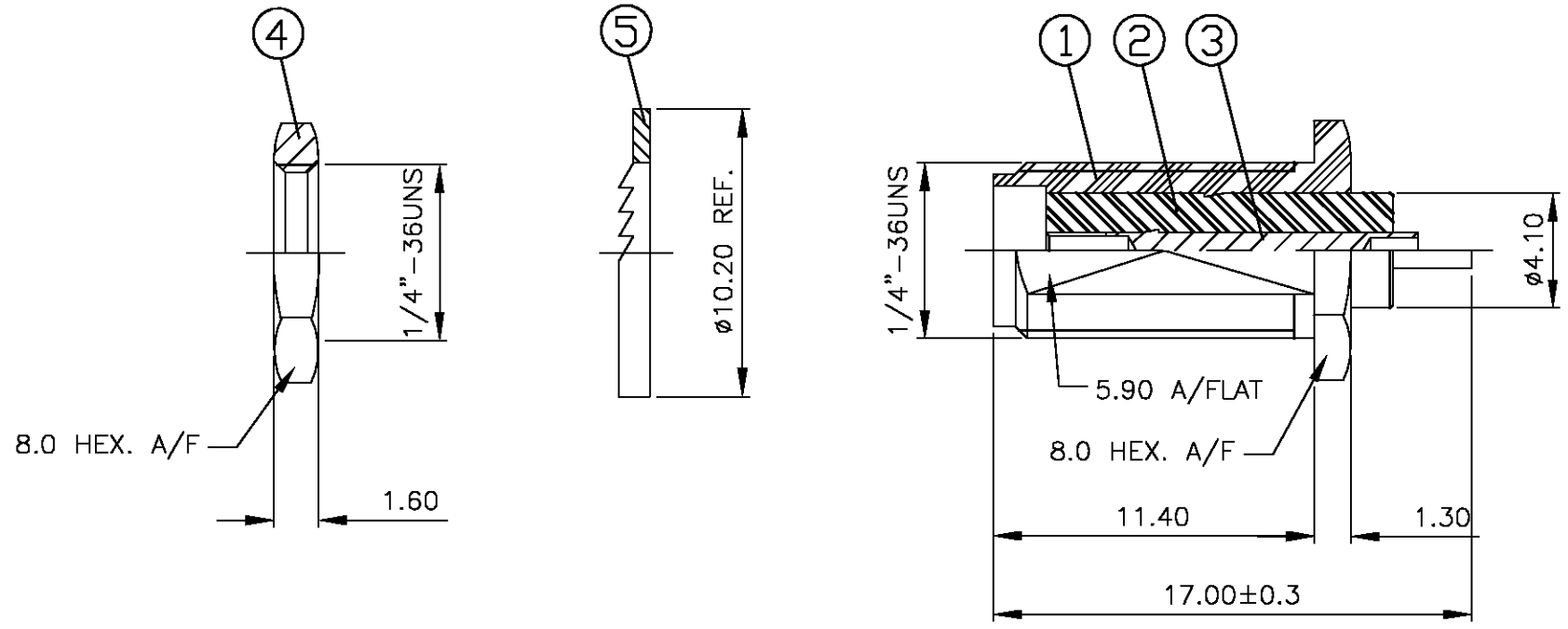


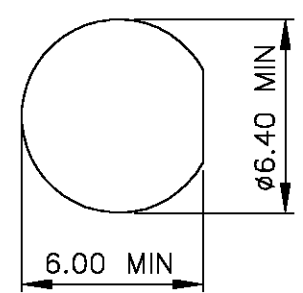
THIS DRAWING IS UNPUBLISHED. RELEASED FOR PUBLICATION APRIL, 2004.
 © COPYRIGHT 2004 BY TYCO ELECTRONICS CORPORATION. ALL RIGHTS RESERVED.

| LOC | DIST | REVISIONS | | | |
|-----|------|-------------|--------------|---------|--------|
| P | LTR | DESCRIPTION | DATE | DWN | APVD |
| E | B | A | EBD0-0035-03 | 12FEB04 | RS FWK |

- NOTES:
- ① SINGLE PACK IN ACCORDANCE WITH SPEC 107-3275
 - ② 100 TRAY PACK IN ACCORDANCE WITH SPEC 107-3275
 - ③ 0.08µm Au PLATING OVER 1.27µm Ni PLATING
 - ④ 0.08µm Au PLATING OVER 1.27µm Ni PLATING OVER 0.76µm Cu PLATING
 - ⑤ 0.76µm Au PLATING OVER 1.27µm Ni PLATING OVER 0.76µm Cu PLATING
 - ⑥ PASSIVATED
 - ⑦ WHITE BRONZE PLATING
 - ⑧ PLATING AS PER BODY, EXCEPT FOR PASSIVATED WHICH IS NICKEL PLATED
- 9 FOR TECHNICAL DATA REFER TO YOUR LOCAL TYCO ELECTRONICS SALES OFFICE
- 10 ALL DIMENSIONS ARE NOMINAL FOR REFERENCE ONLY UNLESS OTHERWISE STATED



RECOMMENDED MOUNTING HOLE DIM'S



| QTY | PLC | FIN | PLC | FIN | PLC | FIN | PLC | FIN | MATERIAL | DESCRIPTION | ITEM |
|------|------|------|------|------|------|------|------|-----|------------------|---------------|------|
| 1 | 1 | 1 | 1 | 1 | 1 | 1 | 1 | 1 | STAINLESS STEEL | WASHER | 5 |
| 1 | 1 | - | - | - | - | - | - | - | BRASS | NUT | 4 |
| - | - | 1 | 1 | - | - | - | - | - | BRASS | NUT | 4 |
| - | - | - | - | 1 | 1 | 1 | 1 | - | STAINLESS STEEL | NUT | 4 |
| 1 | 1 | 1 | 1 | 1 | 1 | 1 | 1 | - | BERYLLIUM COPPER | CENTER SOCKET | 3 |
| 1 | 1 | 1 | 1 | 1 | 1 | 1 | 1 | - | PTFE | INSULATOR | 2 |
| 1 | 1 | - | - | - | - | - | - | - | BRASS | BODY | 1 |
| - | - | 1 | 1 | - | - | - | - | - | BRASS | BODY | 1 |
| - | - | - | - | 1 | 1 | - | - | - | STAINLESS STEEL | BODY | 1 |
| - | - | - | - | - | - | 1 | 1 | - | STAINLESS STEEL | BODY | 1 |
| 4--1 | 4--0 | 3--1 | 3--0 | 2--1 | 2--0 | 1--1 | 1--0 | | MATERIAL | DESCRIPTION | ITEM |
| ② | ① | ② | ① | ② | ① | ② | ① | | | | |

| | | | | |
|---|--|-----------------------------------|---|--------------------|
| THIS DRAWING IS A CONTROLLED DOCUMENT. | | DWN R.SMITH 12FEB04 | Tyco Electronics Corporation Bideford, UK, EX39 4HE | |
| DIMENSIONS: mm | | CHK S.PARLOW 12FEB04 | | |
| TOLERANCES UNLESS OTHERWISE SPECIFIED: | | APVD F.WHEELER-KING 12FEB04 | NAME SMA BULKHEAD SOCKET RECEPTACLE REAR MOUNT SOLDER SPILL | |
| 0 PLC ± - 1 PLC ± - 2 PLC ± - 3 PLC ± - 4 PLC ± - ANGLES ± - FINISH - | | PRODUCT SPEC 108-3460 | RESTRICTED TO | |
| MATERIAL SEE TABLE | | APPLICATION SPEC 411-3276 | SIZE A3 | CAGE CODE 00779 |
| | | WEIGHT - | DRAWING NO C-1478966 | REV A |
| | | CUSTOMER DRAWING | SCALE 1:1 | SHEET 1 OF 1 |

Mouser Electronics

Authorized Distributor

Click to View Pricing, Inventory, Delivery & Lifecycle Information:

[TE Connectivity:](#)

[1-1478966-0](#)