

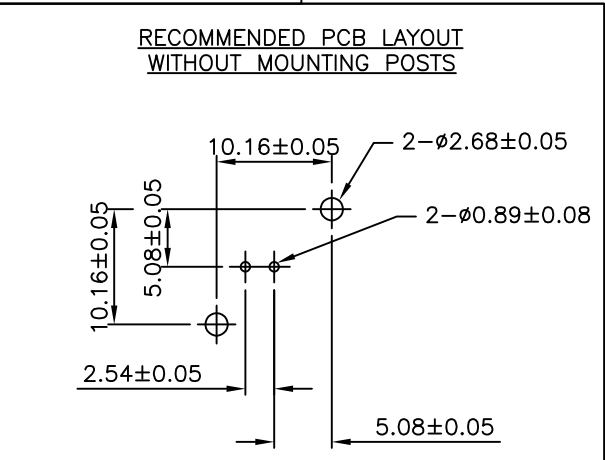
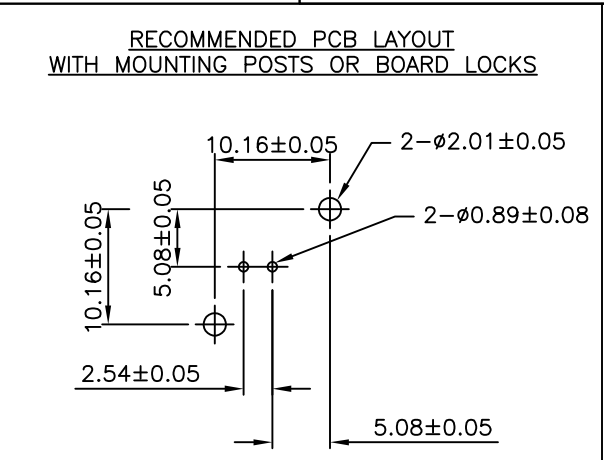
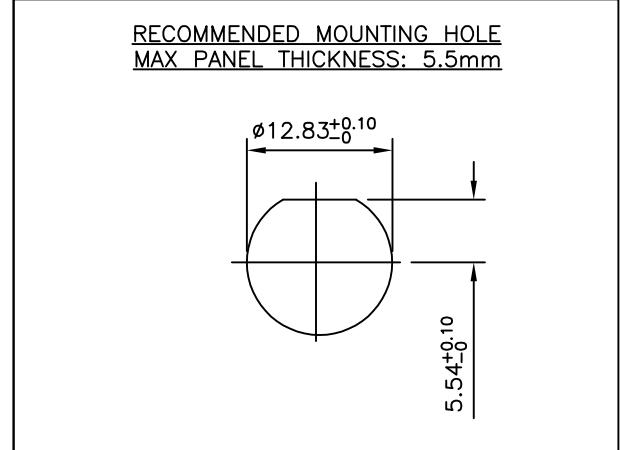
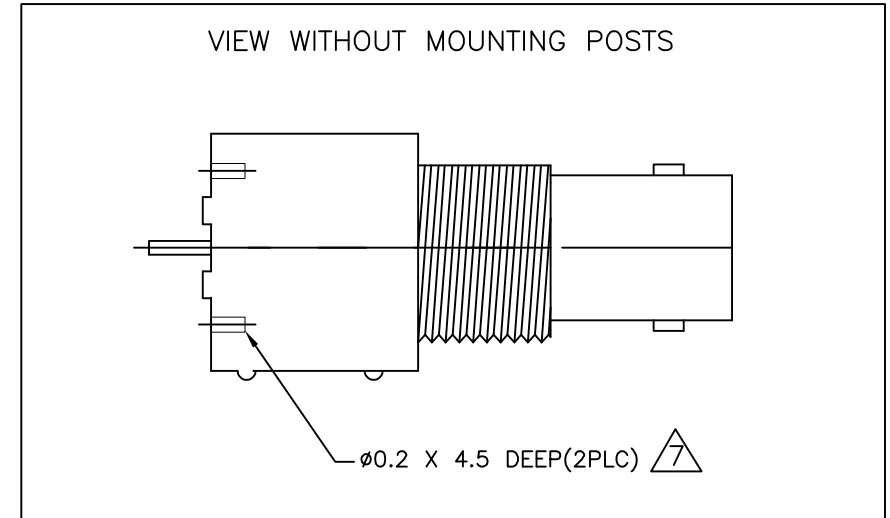
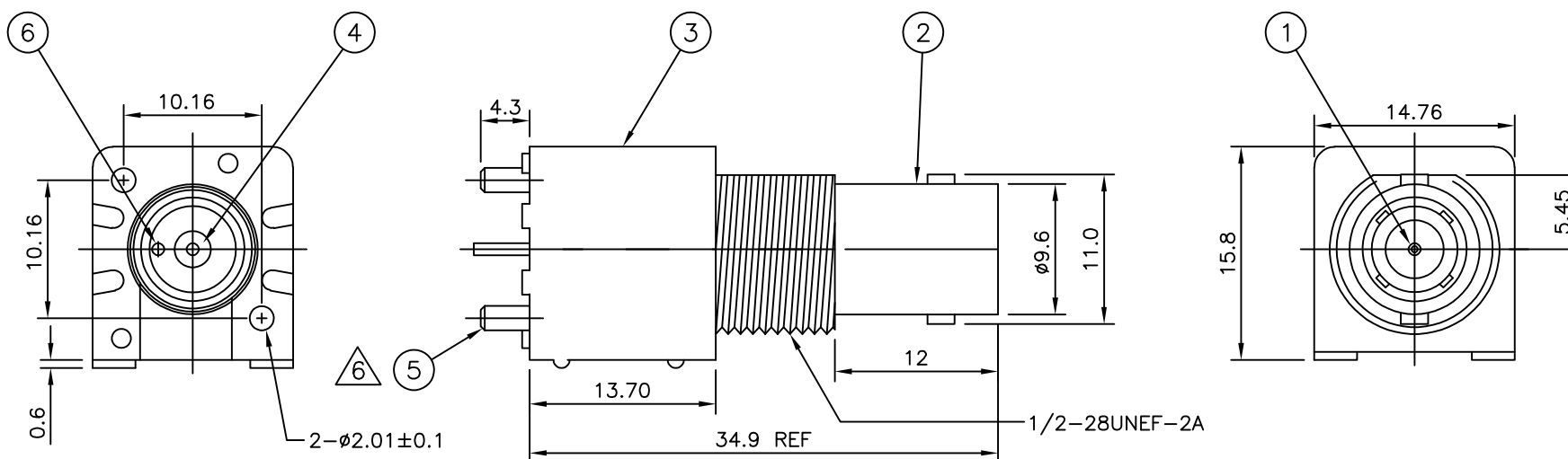
THIS DRAWING IS UNPUBLISHED. RELEASED FOR PUBLICATION AUGUST ,2005.

© COPYRIGHT 2005 By - ALL RIGHTS RESERVED.

LOC	DIST	REVISIONS			
P	LTR	DESCRIPTION	DATE	DWN	APVD
E	B	F	ECO-13-005274	05JULY2013	RZ MY

NOTES:

- 1 SINGLE PACK IN ACCORDANCE WITH AMP SPEC 107-3275
- 2 100 TRAY PACK IN ACCORDANCE WITH AMP SPEC 107-3275
- 3 Au PLATING OVER Ni PLATING OVER Cu PLATING
- 4 Ni PLATING OVER Cu PLATING
- 5 TIN PLATING
- 6 MOUNTING POSTS ARE OPTIONAL SEE TABLE FOR PART NUMBERS
- 7 RECOMMENDED SELF-TAPPING SCREW 221108-4
- 8. RECOMMENDED MOUNT NUT 1-1634816-0
- 9. RECOMMENDED LOCKWASHER 1-1634817-0
- 10. FOR TECHNICAL DATA REFER TO YOUR LOCAL TE CONNECTIVITY SALES OFFICE
- 11. ALL DIMENSIONS ARE NOMINAL FOR REFERENCE ONLY UNLESS OTHERWISE STATED



QUANTITY PER ASSY		PARTS LIST					
1	1	1	1	BRASS	△	SOLDER TAIL	6
-	-	1	1	BRASS	△	MOUNTING POST	5
1	1	1	1	PE-606		INSULATOR	4
1	1	1	1	PBT WHITE		HOUSING	3
1	1	1	1	ZINC ALLOY	△	BODY	2
1	1	1	1	BRASS	△	CONTACT	1
6--1	1--1	6--0	1--0	MATERIAL		DESCRIPTION	ITEM

THIS DRAWING IS A CONTROLLED DOCUMENT.

DWN RITA ZUO 04 Mar 09
CHK ANSON MA 04 Mar 09
APVD BOB ZHAO 04 Mar 09

PRODUCT SPEC 108-112000
APPLICATION SPEC

MATERIAL SEE TABLE
FINISH SEE TABLE

WEIGHT -

CUSTOMER DRAWING

SCALE NTS
SHEET 1 OF 1
REV F

STE TE Connectivity
BNC STRAIGHT INSULATED PCB SOCKET
50 OHM WHITE

SIZE A3
CAGE CODE 00779
DRAWING NO C-1337541
RESTRICTED TO -