

**(2.54 mm) .100"**

**SL, SDL SERIES**

# LOW-PROFILE MACHINED SOCKET STRIPS

- FEATURES**
- Achieve low-profile without sacrificing insertion depth!
  - Choice of four precision screw machined lead styles.
  - Exceptionally low-profile, down to (2.11 mm) .083" off of board.
  - Mates with BBL or BDL for board stacking spaces down to (3.89 mm) .153"

**SPECIFICATIONS**

For complete specifications see [www.samtec.com?SL](http://www.samtec.com?SL) or [www.samtec.com?SDL](http://www.samtec.com?SDL)

**Insulator Material:**  
 Black Glass Filled Polyester (SDL)  
 Black Liquid Crystal Polymer (SL)

**Contact/Shell Materials:**  
 BeCu/Brass

**Plating:**  
 Au or Sn over  
 50 μm (1.27 μm) Ni

**Operating Temp Range:**  
 -55 °C to +125 °C with Gold  
 -55 °C to +105 °C with Tin

**RoHS Compliant:**  
 Yes

**Lead-Free Solderable:**  
 Wave only

**RECOGNITIONS**

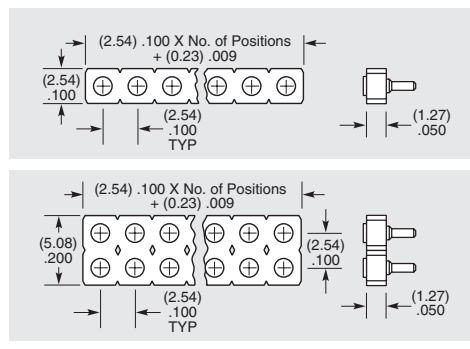
For complete scope of recognitions see [www.samtec.com/quality](http://www.samtec.com/quality)

**Note:**  
 Some lengths, styles and options are non-standard, non-returnable.

**Mates with:**  
 TS, TD, HTS, BBS, BBD, BBL, BDL, BHS

**SL**  
 = Single Row Low-Profile Socket Strip

**SDL**  
 = Double Row Low-Profile Socket Strip



Low Insertion Force (LIF) Available

TYPE STRIP	1	NO. PINS PER ROW	PLATING OPTION	LEAD STYLE
			<b>-G</b> = 30 μm (0.76 μm) Gold contact, 10 μm (0.25 μm) Gold shell	
			<b>-T</b> = 30 μm (0.76 μm) Gold contact, Tin shell	
			<b>-TT</b> = Tin contact and shell (LIF not available)	
		<b>01 thru 32</b>		
		<b>01 thru 36</b>		
<b>-10</b> = Low-Profile (Hollow Leg)	<b>-11</b> = Low-Profile (Standard Mount) For LIF specify -31	<b>-12</b> = Micro-Socket (Hollow Leg)	<b>-19</b> = Micro-Socket (Hollow Leg) For LIF specify -39	
Contact Length = (2.11 mm) .083" Lead DIA Accepted = (0.38 mm) .015" to (0.51 mm) .020" Insertion Depth = (2.67 mm) .105" to (4.32 mm) .170" Style 10 Component Part No. = SC-3P1	Contact Length = (1.58 mm) .062" Lead DIA Accepted = (0.41 mm) .016" to (0.53 mm) .021" Insertion Depth = (2.03 mm) .080" to (2.67 mm) .105" Style 11 Component Part No. = SC-4P1 Style 31 Component Part No. = EZ-4P1	Contact Length = (1.58 mm) .062" Lead DIA Accepted = (0.41 mm) .016" to (0.51 mm) .020" Insertion Depth = (1.65 mm) .065" to (3.81 mm) .150" Style 12 Component Part No. = SC-5P1	<i>Only .083" (2.11 mm) above p.c. board</i> Contact Length = (1.58 mm) .062" Lead DIA Accepted = (0.41 mm) .016" to (0.51 mm) .020" Insertion Depth = (1.65 mm) .065" to (3.56 mm) .140" Style 19 Component Part No. = SC-8P1 Style 39 Component Part No. = EZ-8P1	<b>Micro Socket</b> <b>Standard Socket</b> (Reference only. Not available with SL & SDL)

Due to technical progress, all designs, specifications and components are subject to change without notice.

# Mouser Electronics

Authorized Distributor

Click to View Pricing, Inventory, Delivery & Lifecycle Information:

## Samtec:

[SL-132-G-12](#) [SL-102-G-12](#) [SL-104-T-19](#) [SL-116-T-12](#) [SL-106-G-11](#) [SL-105-G-19](#) [SL-104-G-19](#) [SL-132-TT-19](#) [SL-112-T-19](#) [SL-112-T-12](#) [SL-103-T-10](#) [SL-120-TT-19](#) [SL-102-T-12](#) [SL-101-G-12](#) [SL-101-T-11](#) [SL-105-G-11](#) [SL-102-TT-11](#) [SL-116-G-12](#) [SL-101-T-19](#) [SL-103-G-12](#) [SL-103-T-19](#) [SL-107-G-12](#) [SL-103-TT-11](#) [SL-101-G-19](#) [SL-110-G-19](#) [SL-115-T-11](#) [SL-120-T-12](#) [SL-105-T-10](#) [SL-107-TT-11](#) [SL-104-TT-11](#) [SL-105-TT-12](#) [SL-103-TT-12](#) [SL-115-TT-11](#) [SL-118-T-10](#) [SL-122-G-19](#) [SL-120-G-11](#) [SL-116-TT-11](#) [SL-132-T-10](#) [SL-104-G-12](#) [SL-109-G-12](#) [SL-102-G-19](#) [SL-114-G-12](#) [SL-107-T-11](#) [SL-112-TT-12](#) [SL-116-T-10](#) [SL-112-G-12](#) [SL-105-T-19](#) [SL-122-T-12](#) [SL-105-TT-11](#) [SL-101-T-10](#) [SL-120-G-12](#) [SL-120-G-19](#) [SL-122-T-19](#) [SL-111-T-10](#) [SL-102-G-10](#) [SL-112-G-10](#) [SL-113-T-10](#) [SL-132-TT-12](#) [SL-114-G-11](#) [SL-110-T-10](#) [SL-107-T-10](#) [SL-114-T-19](#) [SL-132-TT-11](#) [SL-124-G-19](#) [SL-103-G-19](#) [SL-107-G-19](#) [SL-108-T-12](#) [SL-120-T-19](#) [SL-120-G-10](#) [SL-114-T-10](#) [SL-108-G-11](#) [SL-110-TT-12](#) [SL-102-T-11](#) [SL-105-G-10](#) [SL-110-G-10](#) [SL-112-T-11](#) [SL-110-T-19](#) [SL-124-TT-11](#) [SL-108-TT-11](#) [SL-106-G-10](#) [SL-109-G-10](#) [SL-120-TT-11](#) [SL-107-T-19](#) [SL-108-G-10](#) [SL-113-G-12](#) [SL-112-G-19](#) [SL-132-TT-10](#) [SL-116-G-10](#) [SL-102-T-19](#) [SL-111-T-12](#) [SL-108-T-10](#) [SL-101-TT-11](#) [SL-110-T-12](#) [SL-115-G-19](#) [SL-119-G-19](#) [SL-106-T-12](#) [SL-120-T-11](#) [SL-115-T-19](#) [SL-109-T-12](#) [SL-116-T-11](#)