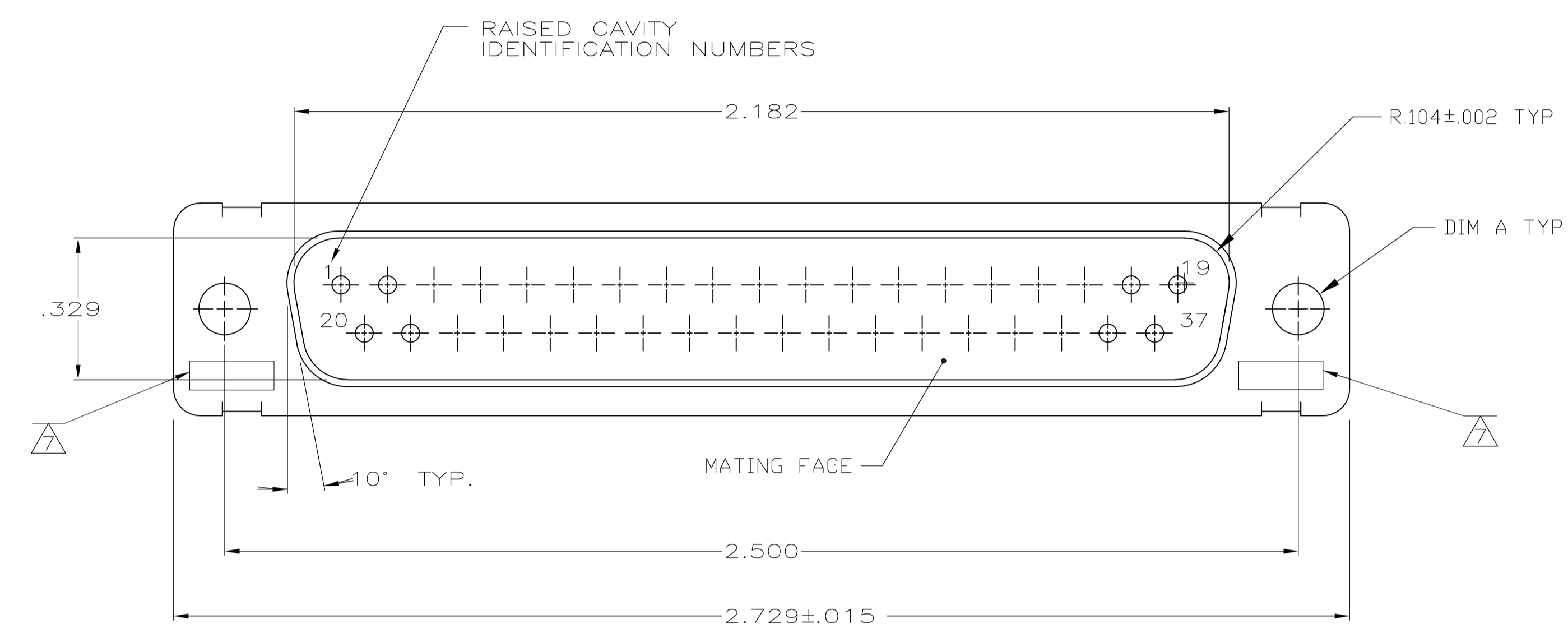
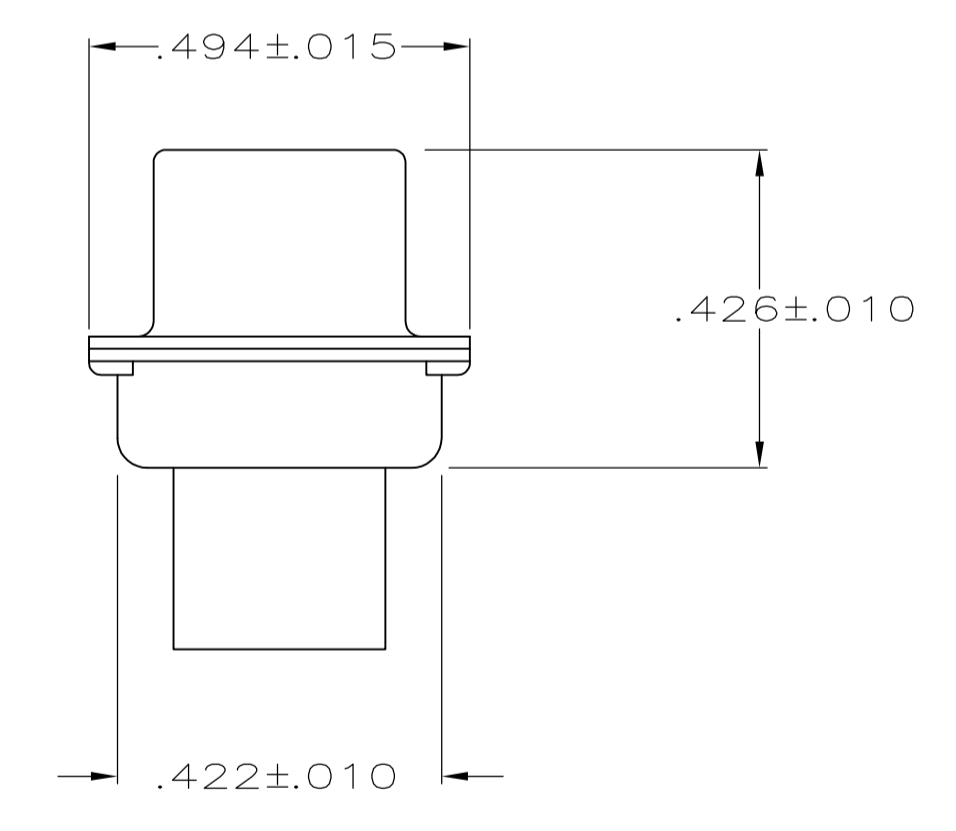
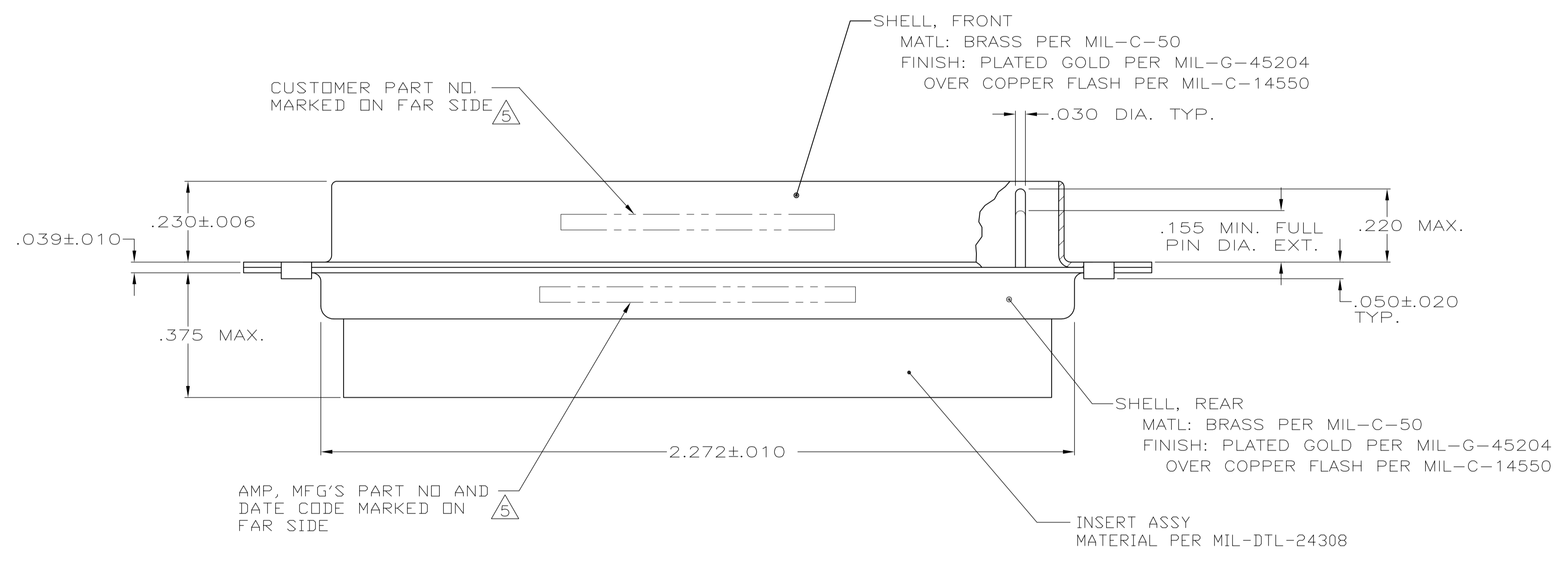


LOC		DIST		REVISIONS			
P	LTR	DESCRIPTION	DATE	DN	APVD		
N		REV PER ECO 15-016064	11-9-15	CT	CD		



- ⚠ THIS PLUG WILL MATE WITH ANY RECEPTACLE CONNECTOR WITH THE SAME INSERT ARRANGEMENT AS DEFINED BY MS18275-1.
- 2. MAXIMUM WIRE INSULATION TO BE USED WITH THIS PLUG IS .072 DIA.
- 3. BERYLLIUM COPPER RETENTION CLIPS (37) ARE INCLUDED IN INSERT ASSEMBLY.
- 4. CONNECTOR SUPPLIED WITHOUT CONTACTS; SHOWN FOR ILLUSTRATION ONLY.
- ⚠ FAR SIDE REFERS TO WIDE SIDE OF KEYSTONE.
- ⚠ THESE CONNECTORS ARE QUALIFIED TO GODDARD SPACE FLIGHT CENTER SPECIFICATION S-311-P-4.
- ⚠ UL/CSA DESIGNATION STAMPED IN THIS AREA, OPTIONAL.
- ⚠ RESTRICTED TO CAE ELECTRONICS ONLY.



REMARKS	DIA A	MARKED CUSTOMER P/N	MARKED AMP P/N	TE P/N
OBSOLETE	⚠ ⚠	.120 570513-9	206802-6	206802-6
	⚠ ⚠	.120 311P409-4P-B-12	206802-2	206802-5
	⚠	.120 122137P37P	206802-4	206802-4
	⚠	.154 -	206802-3	206802-3
	⚠ ⚠	.120 311P409-4P-B-12	206802-2	206802-2
	⚠ ⚠	.154 311P409-4P-B-15	206802-1	206802-1

THIS DRAWING IS A CONTROLLED DOCUMENT.

DIMENSIONS: INCHES	TOLERANCES UNLESS OTHERWISE SPECIFIED:	DIN T. WIEST 12-9-88	TE Connectivity PLUG FOR PIN CONTACTS SIZE 4, (37 POSITION)
0 PLC ± - 1 PLC ± - 2 PLC ± - 3 PLC ± .005 4 PLC ± - ANGLES ± -	0 PLC ± - 1 PLC ± - 2 PLC ± - 3 PLC ± .005 4 PLC ± - ANGLES ± -	CHK F. RALLEW 1-26-88 APVD F. RALLEW 1-26-88 PRODUCT SPEC APPLICATION SPEC WEIGHT CUSTOMER DRAWING	

Mouser Electronics

Authorized Distributor

Click to View Pricing, Inventory, Delivery & Lifecycle Information:

[TE Connectivity:](#)

[206802-2](#)