

Dual Synchronous, Step-Down Controller with 5-V and 3.3-V LDOs

FEATURES

- Input Voltage Range: 5 V to 24 V
- Output Voltages: 5 V and 3.3 V (Adjustable Range $\pm 10\%$)
- Built-in, 100-mA, 5-V and 3.3-V LDOs
- Clock Output for Charge-Pump
- $\pm 1\%$ Reference Accuracy
- Adaptive On-Time D-CAP™ Mode Control Architecture with 300-kHz and 355-kHz Frequency Setting
- Auto-skip Light Load Operation (TPS51275, and TPS51275C)
- OOA Light Load Operation (TPS51275B)
- Internal 0.8-ms Voltage Servo Soft-Start
- Low-Side $R_{DS(on)}$ Current Sensing Scheme
- Built-In Output Discharge Function
- Separate Enable Input for Switchers
- Dedicated OC Setting Terminals
- Power Good Indicator
- OVP, UVP and OCP Protection
- Non-Latch UVLO and OTP Protection
- 20-Pin, 3 mm x 3 mm, QFN (RUK)

APPLICATIONS

- Notebook Computers
- Tablet Computers

DESCRIPTION

The TPS51275, TPS51275B and TPS51275C are cost-effective, dual-synchronous buck controllers targeted for notebook system-power supply solutions. It provides 5-V and 3.3-V LDOs and requires few external components. The 260-kHz VCLK output can be used to drive an external charge pump, generating gate drive voltage for the load switches without reducing the main converter efficiency. The TPS51275, TPS51275B and TPS51275C supports high efficiency, fast transient response and provides a combined power-good signal. Adaptive on-time, D-CAP™ control provides convenient and efficient operation. The device operates with supply input voltage ranging from 5 V to 24 V and supports output voltages of 5.0 V and 3.3 V. The TPS51275, TPS51275B and TPS51275C are available in a 20-pin, 3 mm x 3 mm, QFN package and is specified from -40°C to 85°C .

ORDERING INFORMATION⁽¹⁾

| ORDERABLE DEVICE NUMBER | ENABLE FUNCTION | SKIP MODE | ALWAYS On-LDO | PACKAGE | OUTPUT SUPPLY | QUANTITY |
|-------------------------|-----------------|-----------|-----------------|------------------------|---------------|----------|
| TPS51275RUKR | EN1 and EN2 | Auto-skip | VREG3 | PLASTIC Quad Flat Pack | Tape and Reel | 3000 |
| TPS51275RUKT | | | | | Mini reel | 250 |
| TPS51275BRUKR | | OOA | VREG3 and VREG5 | | Tape and Reel | 3000 |
| TPS51275BRUKT | | | | | Mini reel | 250 |
| TPS51275CRUKR | | Auto-skip | | | Tape and Reel | 3000 |
| TPS51275CRUKT | | | | | Mini reel | 250 |

(1) For the most current package and ordering information see the Package Option Addendum at the end of this document, or see the TI website at www.ti.com.



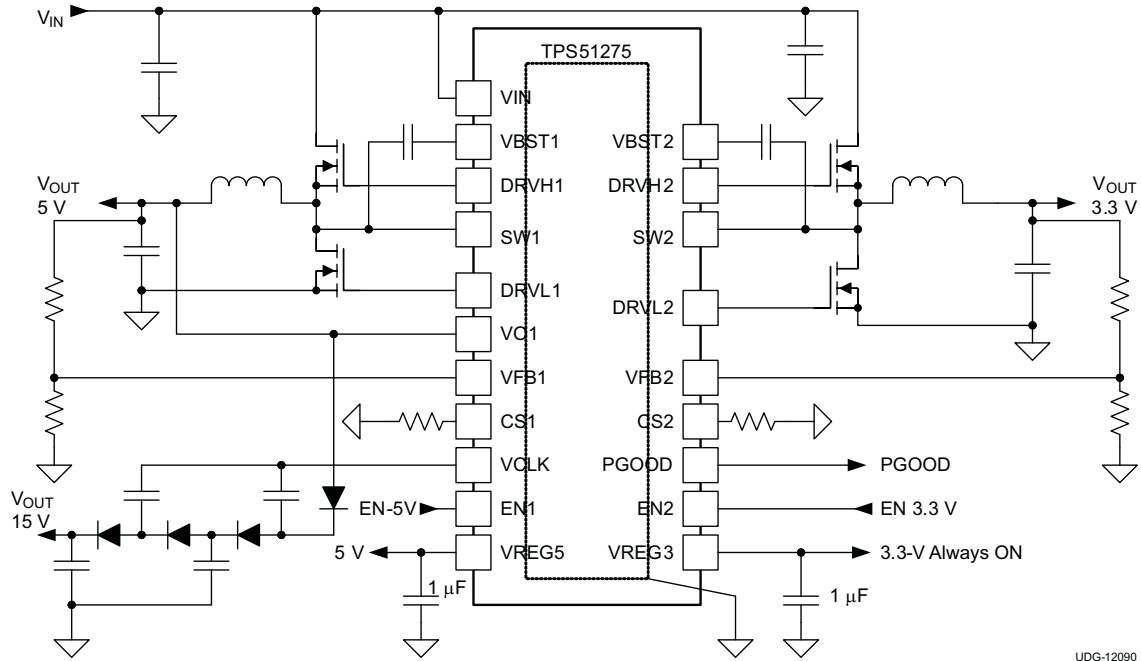
Please be aware that an important notice concerning availability, standard warranty, and use in critical applications of Texas Instruments semiconductor products and disclaimers thereto appears at the end of this data sheet.

D-CAP is a trademark of Texas Instruments.



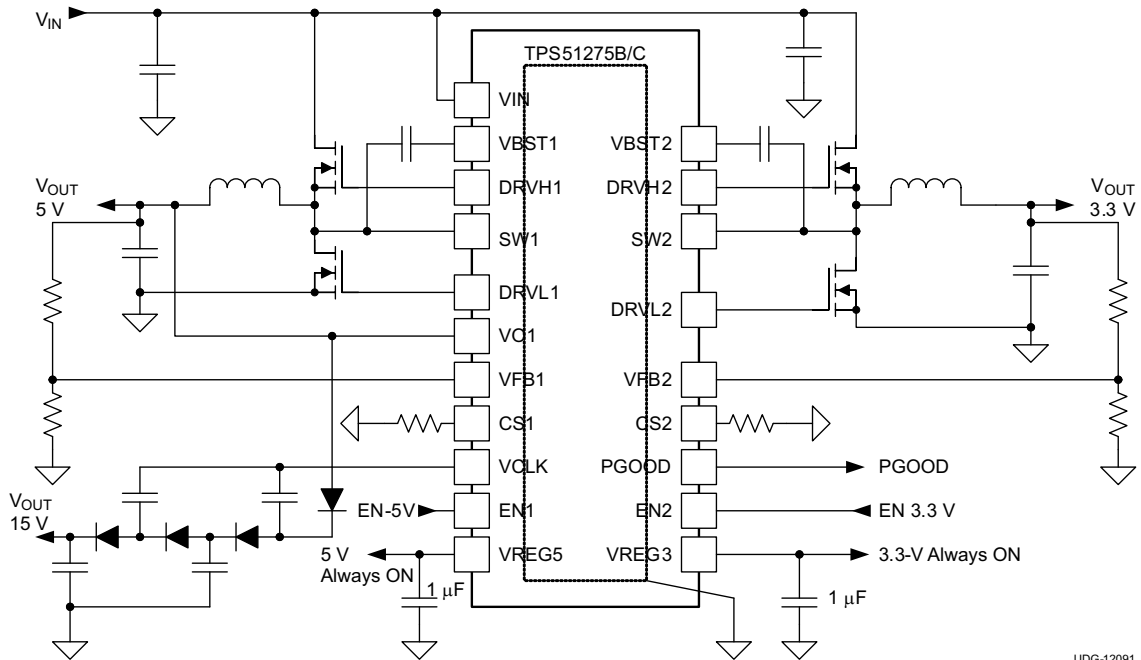
These devices have limited built-in ESD protection. The leads should be shorted together or the device placed in conductive foam during storage or handling to prevent electrostatic damage to the MOS gates.

TYPICAL APPLICATION DIAGRAM (TPS51275)



UDG-12090

TYPICAL APPLICATION DIAGRAM (TPS51275B and TPS51275C)



UDG-12091

ABSOLUTE MAXIMUM RATINGS⁽¹⁾

over operating free-air temperature range (unless otherwise noted)

| | | VALUE | | UNIT |
|--------------------------------------|---|-------|-----|------|
| | | MIN | MAX | |
| Input voltage ⁽²⁾ | VBST1, VBST2 | -0.3 | 32 | V |
| | VBST1, VBST2 ⁽³⁾ | -0.3 | 6 | |
| | SW1, SW2 | -6.0 | 26 | |
| | VIN | -0.3 | 26 | |
| | EN1, EN2 | -0.3 | 6 | |
| | VFB1, VFB2 | -0.3 | 3.6 | |
| | VO1 | -0.3 | 6 | |
| Output voltage ⁽²⁾ | DRVH1, DRVH2 | -6.0 | 32 | V |
| | DRVH1, DRVH2 ⁽³⁾ | -0.3 | 6 | |
| | DRVH1, DRVH2 ⁽³⁾ (pulse width < 20 ns) | -2.5 | 6 | |
| | DRVL1, DRVL2 | -0.3 | 6 | |
| | DRVL1, DRVL2 (pulse width < 20 ns) | -2.5 | 6 | |
| | PGOOD, VCLK, VREG5 | -0.3 | 6 | |
| | VREG3, CS1, CS2 | -0.3 | 3.6 | |
| Electrostatic discharge | HBM QSS 009-105 (JESD22-A114A) | | 2 | kV |
| | CDM QSS 009-147 (JESD22-C101B.01) | | 1 | |
| Junction temperature, T _J | | 150 | | °C |
| Storage temperature, T _{ST} | | -55 | 150 | °C |

- (1) Stresses beyond those listed under "absolute maximum ratings" may cause permanent damage to the device. These are stress ratings only and functional operation of the device at these or any other conditions beyond those indicated under "recommended operating conditions" is not implied. Exposure to absolute-maximum-rated conditions for extended periods may affect device reliability.
- (2) All voltage values are with respect to the network ground terminal unless otherwise noted
- (3) Voltage values are with respect to SW terminals.

THERMAL INFORMATION

| THERMAL METRIC ⁽¹⁾ | | TPS51275 TPS51275B TPS51275C | UNITS |
|-------------------------------|--|------------------------------------|-------|
| | | 20-PIN RUK | |
| θ_{JA} | Junction-to-ambient thermal resistance | 94.1 | °C/W |
| θ_{JcTop} | Junction-to-case (top) thermal resistance | 58.1 | |
| θ_{JB} | Junction-to-board thermal resistance | 64.3 | |
| ψ_{JT} | Junction-to-top characterization parameter | 31.8 | |
| ψ_{JB} | Junction-to-board characterization parameter | 58.0 | |
| θ_{JcBot} | Junction-to-case (bottom) thermal resistance | 5.9 | |

- (1) For more information about traditional and new thermal metrics, see the *IC Package Thermal Metrics* application report, [SPRA953](#).

RECOMMENDED OPERATING CONDITIONS

over operating free-air temperature range (unless otherwise noted)

| | | MIN | TYP | MAX | UNIT |
|--|-----------------------------|------|-----|-----|------|
| Supply voltage | VIN | 5 | | 24 | |
| Input voltage ⁽¹⁾ | VBST1, VBST2 | -0.1 | | 30 | V |
| | VBST1, VBST2 ⁽²⁾ | -0.1 | | 5.5 | |
| | SW1, SW2 | -5.5 | | 24 | |
| | EN1, EN2 | -0.1 | | 5.5 | |
| | VFB1, VFB2 | -0.1 | | 3.5 | |
| | VO1 | -0.1 | | 5.5 | |
| Output voltage ⁽¹⁾ | DRVH1, DRVH2 | -5.5 | | 30 | V |
| | DRVH1, DRVH2 ⁽²⁾ | -0.1 | | 5.5 | |
| | DRVL1, DRVL2 | -0.1 | | 5.5 | |
| | PGOOD, VCLK, VREG5 | -0.1 | | 5.5 | |
| | VREG3, CS1, CS2 | -0.1 | | 3.5 | |
| Operating free-air temperature, T _A | | -40 | | 85 | °C |

(1) All voltage values are with respect to the network ground terminal unless otherwise noted.

(2) Voltage values are with respect to the SW terminal.

ELECTRICAL CHARACTERISTICS

over operating free-air temperature range, $V_{VIN} = 12\text{ V}$, $V_{VO1} = 5\text{ V}$, $V_{VFB1} = V_{VFB2} = 2\text{ V}$, $V_{EN1} = V_{EN2} = 3.3\text{ V}$ (unless otherwise noted)

| PARAMETER | | TEST CONDITION | MIN | TYP | MAX | UNIT |
|---|--------------------------------|---|-------|-------|-------|---------------|
| SUPPLY CURRENT | | | | | | |
| I_{VIN1} | VIN supply current-1 | $T_A = 25^\circ\text{C}$, No load, $V_{VO1} = 0\text{ V}$ | | 860 | | μA |
| I_{VIN2} | VIN supply current-2 | $T_A = 25^\circ\text{C}$, No load | | 30 | | μA |
| I_{VO1} | VO1 supply current | $T_A = 25^\circ\text{C}$, No load, $V_{VFB1} = V_{VFB2} = 2.05\text{ V}$ | | 900 | | μA |
| $I_{VIN(STBY)}$ | VIN stand-by current | TPS51275 $T_A = 25^\circ\text{C}$, No load, $V_{VO1} = 0\text{ V}$, $V_{EN1} = V_{EN2} = 0\text{ V}$ | | 95 | | μA |
| $I_{VIN(STBY)}$ | VIN stand-by current | $T_A = 25^\circ\text{C}$, No load, $V_{VO1} = 0\text{ V}$, $V_{EN1} = V_{EN2} = 0\text{ V}$ (TPS51275B/C) | | 180 | | μA |
| INTERNAL REFERENCE | | | | | | |
| V_{FBx} | VFB regulation voltage | $T_A = 25^\circ\text{C}$ | 1.99 | 2.00 | 2.01 | V |
| | | | 1.98 | 2.00 | 2.02 | V |
| VREG5 OUTPUT | | | | | | |
| V_{VREG5} | VREG5 output voltage | $T_A = 25^\circ\text{C}$, No load, $V_{VO1} = 0\text{ V}$ | 4.9 | 5.0 | 5.1 | V |
| | | $V_{VIN} > 7\text{ V}$, $V_{VO1} = 0\text{ V}$, $I_{VREG5} < 100\text{ mA}$ | 4.85 | 5.00 | 5.10 | |
| | | $V_{VIN} > 5.5\text{ V}$, $V_{VO1} = 0\text{ V}$, $I_{VREG5} < 35\text{ mA}$ | 4.85 | 5.00 | 5.10 | |
| | | $V_{VIN} > 5\text{ V}$, $V_{VO1} = 0\text{ V}$, $I_{VREG5} < 20\text{ mA}$ | 4.50 | 4.75 | 5.10 | |
| I_{VREG5} | VREG5 current limit | $V_{VO1} = 0\text{ V}$, $V_{VREG5} = 4.5\text{ V}$, $V_{VIN} = 7\text{ V}$ | 100 | 150 | | mA |
| R_{VSSW} | 5-V switch resistance | $T_A = 25^\circ\text{C}$, $V_{VO1} = 5\text{ V}$, $I_{VREG5} = 50\text{ mA}$ | | 1.8 | | Ω |
| VREG3 OUTPUT | | | | | | |
| V_{VREG3} | VREG3 output voltage | No load, $V_{VO1} = 0\text{ V}$, $T_A = 25^\circ\text{C}$ | 3.267 | 3.300 | 3.333 | V |
| | | $V_{VIN} > 7\text{ V}$, $V_{VO1} = 0\text{ V}$, $I_{VREG3} < 100\text{ mA}$ | 3.217 | 3.300 | 3.383 | |
| | | $5.5\text{ V} < V_{VIN}$, $V_{VO1} = 0\text{ V}$, $I_{VREG3} < 35\text{ mA}$ | 3.234 | 3.300 | 3.366 | |
| | | $0^\circ\text{C} \leq T_A \leq 85^\circ\text{C}$, $V_{VIN} > 5.5\text{ V}$, $V_{VO1} = 0\text{ V}$, $I_{VREG3} < 35\text{ mA}$ | 3.267 | 3.300 | 3.333 | |
| | | $0^\circ\text{C} \leq T_A \leq 85^\circ\text{C}$, $V_{VIN} > 5.5\text{ V}$, $V_{VO1} = 5\text{ V}$, $I_{VREG3} < 35\text{ mA}$ | 3.267 | 3.300 | 3.333 | |
| | | $V_{VIN} > 5\text{ V}$, $V_{VO1} = 0\text{ V}$, $I_{VREG3} < 35\text{ mA}$ | 3.217 | 3.300 | 3.366 | |
| I_{VREG3} | VREG3 current limit | $V_{VO1} = 0\text{ V}$, $V_{VREG3} = 3.0\text{ V}$, $V_{VIN} = 7\text{ V}$ | 100 | 150 | | mA |
| DUTY CYCLE and FREQUENCY CONTROL | | | | | | |
| f_{sw1} | CH1 frequency ⁽¹⁾ | $T_A = 25^\circ\text{C}$, $V_{VIN} = 20\text{ V}$ | 240 | 300 | 360 | kHz |
| f_{sw2} | CH2 frequency ⁽¹⁾ | $T_A = 25^\circ\text{C}$, $V_{VIN} = 20\text{ V}$ | 280 | 355 | 430 | kHz |
| $t_{OFF(MIN)}$ | Minimum off-time | $T_A = 25^\circ\text{C}$ | 200 | 300 | 500 | ns |
| MOSFET DRIVERS | | | | | | |
| R_{DRVH} | DRVH resistance | Source, $(V_{VBST} - V_{DRVH}) = 0.25\text{ V}$, $(V_{VBST} - V_{SW}) = 5\text{ V}$ | | 3.0 | | Ω |
| | | Sink, $(V_{DRVH} - V_{SW}) = 0.25\text{ V}$, $(V_{VBST} - V_{SW}) = 5\text{ V}$ | | 1.9 | | |
| R_{DRVL} | DRVL resistance | Source, $(V_{VREG5} - V_{DRVL}) = 0.25\text{ V}$, $V_{VREG5} = 5\text{ V}$ | | 3.0 | | Ω |
| | | Sink, $V_{DRVL} = 0.25\text{ V}$, $V_{VREG5} = 5\text{ V}$ | | 0.9 | | |
| t_D | Dead time | DRVH-off to DRVL-on | | 12 | | ns |
| | | DRVL-off to DRVH-on | | 20 | | |
| INTERNAL BOOT STRAP SWITCH | | | | | | |
| $R_{VBST(ON)}$ | Boost switch on-resistance | $T_A = 25^\circ\text{C}$, $I_{VBST} = 10\text{ mA}$ | | 13 | | Ω |
| I_{VBSTLK} | VBST leakage current | $T_A = 25^\circ\text{C}$ | | | 1 | μA |
| CLOCK OUTPUT | | | | | | |
| $R_{VCLK(PU)}$ | VCLK on-resistance (pull-up) | $T_A = 25^\circ\text{C}$ | | 10 | | Ω |
| $R_{VCLK(PD)}$ | VCLK on-resistance (pull-down) | $T_A = 25^\circ\text{C}$ | | 10 | | |
| f_{CLK} | Clock frequency | $T_A = 25^\circ\text{C}$ | | 260 | | kHz |

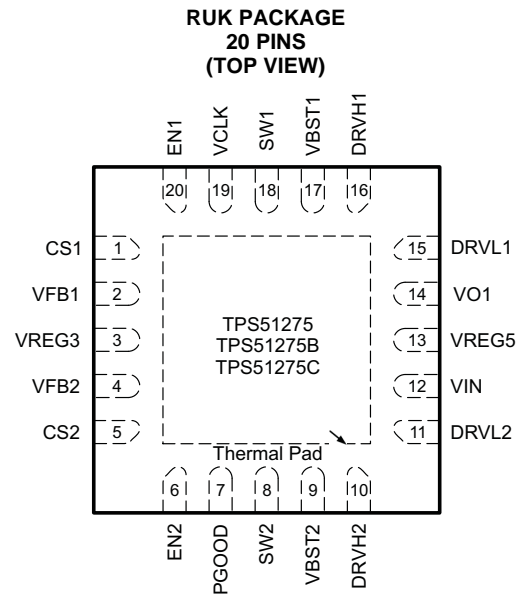
(1) Ensured by design. Not production tested.

ELECTRICAL CHARACTERISTICS

over operating free-air temperature range, $V_{VIN} = 12\text{ V}$, $V_{VO1} = 5\text{ V}$, $V_{VFB1} = V_{VFB2} = 2\text{ V}$, $V_{EN1} = V_{EN2} = 3.3\text{ V}$ (unless otherwise noted)

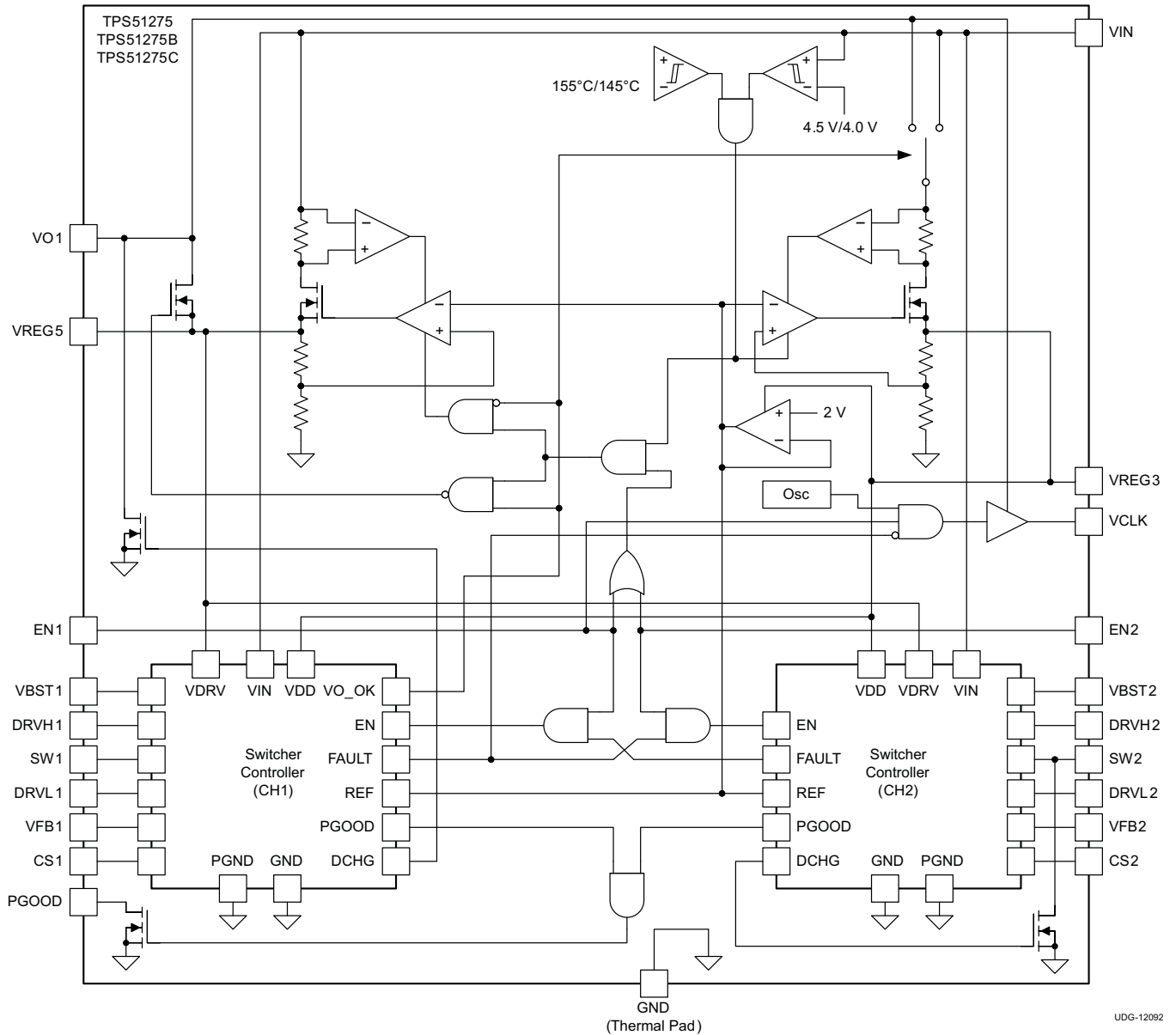
| PARAMETER | | TEST CONDITION | MIN | TYP | MAX | UNIT |
|---------------------------------------|---|---|--------|--------|--------|-----------------------|
| OUTPUT DISCHARGE | | | | | | |
| R_{DIS1} | CH1 discharge resistance | $T_A = 25^\circ\text{C}$, $V_{VO1} = 0.5\text{ V}$ $V_{EN1} = V_{EN2} = 0\text{ V}$ | | 35 | | Ω |
| R_{DIS2} | CH2 discharge resistance | TPS51275 $T_A = 25^\circ\text{C}$, $V_{SW2} = 0.5\text{ V}$, $V_{EN1} = V_{EN2} = 0\text{ V}$ | | 75 | | Ω |
| R_{DIS2} | CH2 discharge resistance | $T_A = 25^\circ\text{C}$, $V_{SW2} = 0.5\text{ V}$, $V_{EN1} = V_{EN2} = 0\text{ V}$ (TPS51275B/C) | | 70 | | Ω |
| SOFT START OPERATION | | | | | | |
| t_{SS} | Soft-start time | From $ENx = \text{"Hi"}$ and $V_{VREG5} > V_{UVLO5}$ to $V_{OUT} = 95\%$ | | 0.91 | | ms |
| t_{SSRAMP} | Soft-start time (ramp-up) | $V_{OUT} = 0\%$ to $V_{OUT} = 95\%$, $V_{VREG5} = 5\text{ V}$ | | 0.78 | | ms |
| POWER GOOD | | | | | | |
| V_{PGTH} | PG threshold | Lower (rising edge of PG-in) | 92.5% | 95.0% | 97.5% | |
| | | Hysteresis | | 5% | | |
| | | Upper (rising edge of PG-out) | 107.5% | 110.0% | 112.5% | |
| | | Hysteresis | | 5% | | |
| I_{PGMAX} | PG sink current | $V_{PGOOD} = 0.5\text{ V}$ | | 6.5 | | mA |
| I_{PGLK} | PG leak current | $V_{PGOOD} = 5.5\text{ V}$ | | | 1 | μA |
| t_{PGDEL} | PG delay | From PG lower threshold (95%=typ) to PG flag high | | 0.7 | | ms |
| CURRENT SENSING | | | | | | |
| I_{CS} | CS source current | $T_A = 25^\circ\text{C}$, $V_{CS} = 0.4\text{ V}$ | 9 | 10 | 11 | μA |
| TC_{CS} | CS current temperature coefficient ⁽¹⁾ | On the basis of 25°C | | 4500 | | ppm/ $^\circ\text{C}$ |
| V_{CS} | CS Current limit setting range | | 0.2 | | 2 | V |
| V_{ZC} | Zero cross detection offset | $T_A = 25^\circ\text{C}$ | -1 | 1 | 3 | mV |
| LOGIC THRESHOLD | | | | | | |
| $V_{ENX(ON)}$ | EN threshold high-level | SMPS on level | | | 1.6 | V |
| $V_{ENX(OFF)}$ | EN threshold low-level | SMPS off level | 0.3 | | | V |
| I_{EN} | EN input current | $V_{ENx} = 3.3\text{ V}$ | -1 | | 1 | μA |
| OUTPUT OVERVOLTAGE PROTECTION | | | | | | |
| V_{OVP} | OVP trip threshold | | 112.5% | 115.0% | 117.5% | |
| t_{OVPDLY} | OVP propagation delay | $T_A = 25^\circ\text{C}$ | | 0.5 | | μs |
| OUTPUT UNDERVOLTAGE PROTECTION | | | | | | |
| V_{UVP} | UVP trip Threshold | | 55% | 60% | 65% | |
| t_{UVPDLY} | UVP prop delay | | | 250 | | μs |
| $t_{UVPENDLY}$ | UVP enable delay | From $ENx = \text{"Hi"}$, $V_{VREG5} = 5\text{ V}$ | | 1.35 | | ms |
| UVLO | | | | | | |
| $V_{UVLOVIN}$ | VIN UVLO Threshold | Wake up | | 4.58 | | V |
| | | Hysteresis | | 0.5 | | V |
| V_{UVLO5} | VREG5 UVLO Threshold | Wake up | | 4.38 | 4.50 | V |
| | | Hysteresis | | 0.4 | | V |
| V_{UVLO3} | VREG3 UVLO Threshold | Wake up | | 3.15 | | V |
| | | Hysteresis | | 0.15 | | V |
| OVER TEMPERATURE PROTECTION | | | | | | |
| T_{OTP} | OTP threshold ⁽¹⁾ | Shutdown temperature | | 155 | | $^\circ\text{C}$ |
| | | Hysteresis | | 10 | | |

(1) Ensured by design. Not production tested.

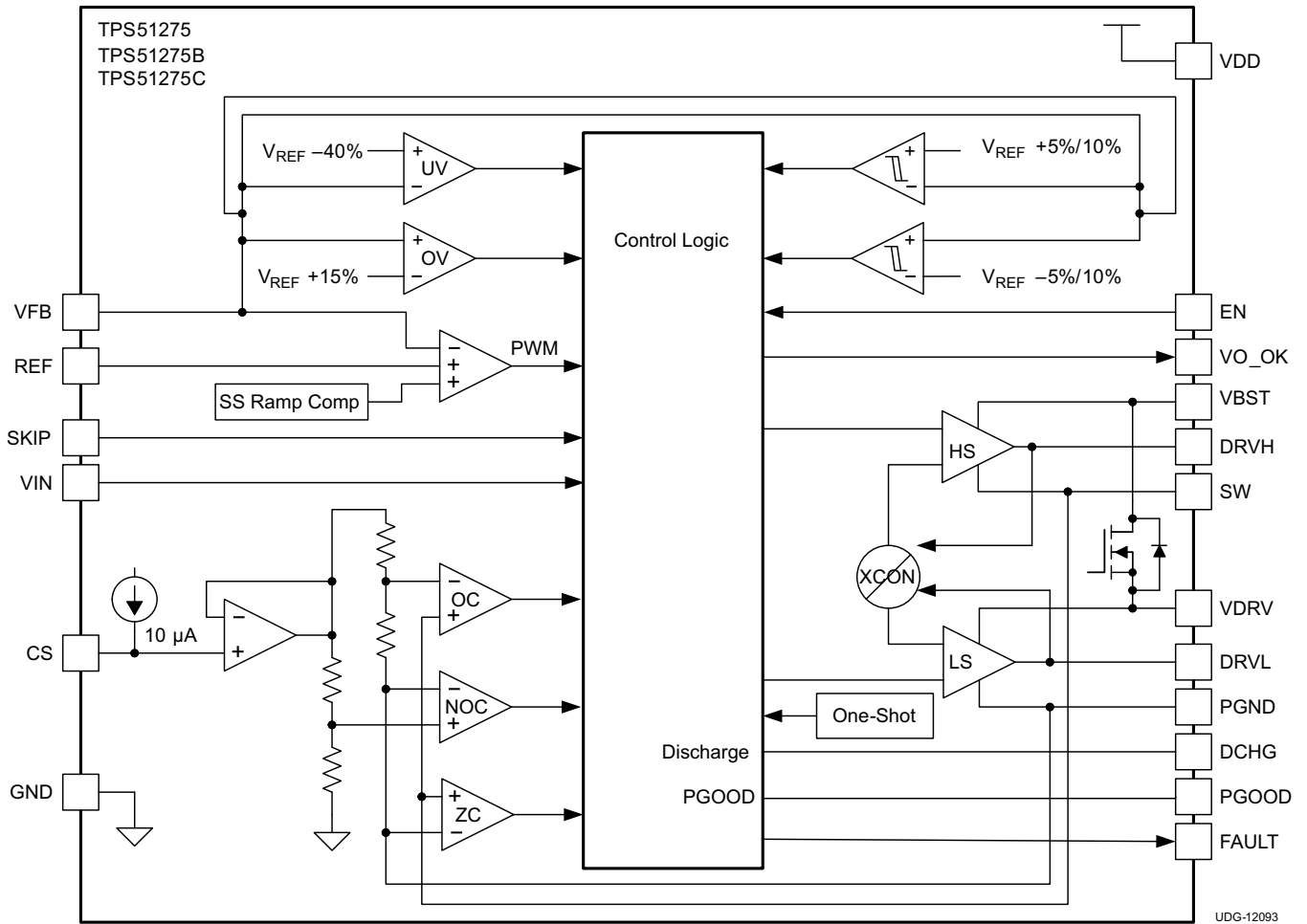
DEVICE INFORMATION

PIN FUNCTIONS

| NAME | PIN NO. | I/O | DESCRIPTION |
|-------------|------------------------------------|-----|--|
| | TPS51275 TPS51275B TPS51275C | | |
| CS1 | 1 | O | Sets the channel 1 OCL trip level. |
| CS2 | 5 | O | Sets the channel 2OCL trip level. |
| DRVH1 | 16 | O | High-side driver output |
| DRVH2 | 10 | O | High-side driver output |
| DRVL1 | 15 | O | Low-side driver output |
| DRVL2 | 11 | O | Low-side driver output |
| EN1 | 20 | I | Channel 1 enable. |
| EN2 | 6 | I | Channel 2 enable. |
| PGOOD | 7 | O | Power good output flag. Open drain output. Pull up to external rail via a resistor |
| SW1 | 18 | O | Switch-node connection. |
| SW2 | 8 | O | Switch-node connection. |
| VBST1 | 17 | I | Supply input for high-side MOSFET (bootstrap terminal). Connect capacitor from this pin to SW terminal. |
| VBST2 | 9 | I | |
| VCLK | 19 | O | Clock output for charge pump. |
| VFB1 | 2 | I | Voltage feedback Input |
| VFB2 | 4 | I | |
| VIN | 12 | I | Power conversion voltage input. Apply the same voltage as drain voltage of high-side MOSFETs of channel 1 and channel 2. |
| VO1 | 14 | I | Output voltage input, 5-V input for switch-over. |
| VREG3 | 3 | O | 3.3-V LDO output. |
| VREG5 | 13 | O | 5-V LDO output. |
| Thermal pad | | | GND terminal, solder to the ground plane |

FUNCTIONAL BLOCK DIAGRAM (TPS51275/B/C)



SWITCHER CONTROLLER BLOCK DIAGRAM



DETAILED DESCRIPTION

PWM Operations

The main control loop of the switch mode power supply (SMPS) is designed as an adaptive on-time pulse width modulation (PWM) controller. It supports a proprietary D-CAP™ mode. D-CAP™ mode does not require external compensation circuit and is suitable for low external component count configuration when used with appropriate amount of ESR at the output capacitor(s).

At the beginning of each cycle, the synchronous high-side MOSFET is turned on, or enters the ON state. This MOSFET is turned off, or enters the 'OFF state, after the internal, one-shot timer expires. The MOSFET is turned on again when the feedback point voltage, V_{VFB} , decreased to match the internal 2-V reference. The inductor current information is also monitored and should be below the overcurrent threshold to initiate this new cycle. By repeating the operation in this manner, the controller regulates the output voltage. The synchronous low-side (rectifying) MOSFET is turned on at the beginning of each OFF state to maintain a minimum of conduction loss. The low-side MOSFET is turned off before the high-side MOSFET turns on at next switching cycle or when inductor current information detects zero level. This enables seamless transition to the reduced frequency operation during light-load conditions so that high efficiency is maintained over a broad range of load current.

Adaptive On-Time/ PWM Frequency Control

Because the TPS51275/B/C does not have a dedicated oscillator for control loop on board, switching cycle is controlled by the adaptive on-time circuit. The on-time is controlled to meet the target switching frequency by feed-forwarding the input and output voltage into the on-time one-shot timer. The target switching frequency is varied according to the input voltage to achieve higher duty operation for lower input voltage application. The switching frequency of CH1 (5-V output) is 300 kHz during continuous conduction mode (CCM) operation when $V_{IN} = 20$ V. The CH2 (3.3-V output) is 355 kHz during CCM when $V_{IN} = 20$ V. (See [Figure 27](#) and [Figure 28](#)).

To improve load transient performance and load regulation in lower input voltage conditions, TPS51275/B/C can extend the on-time. The maximum on-time extension of CH1 is 4 times for CH2 is 3 times. To maintain a reasonable inductor ripple current during on-time extension, the inductor ripple current should be set to less than half of the OCL (valley) threshold. (See [Step 2. Choose the Inductor](#)). The on-time extension function provides high duty cycle operation and shows better DC (static) performance. AC performance is determined mostly by the output LC filter and resistive factor in the loop.

Light Load Condition in Auto-Skip Operation (TPS51275/C)

The TPS51275/C automatically reduces switching frequency during light-load conditions to maintain high efficiency. This reduction of frequency is achieved smoothly and without an increase in output voltage ripple. A more detailed description of this operation is as follows. As the output current decreases from heavy-load condition, the inductor current is also reduced and eventually approaches valley zero current, which is the boundary between continuous conduction mode and discontinuous conduction mode. The rectifying MOSFET is turned off when this zero inductor current is detected. As the load current further decreases, the converter runs in discontinuous conduction mode and it takes longer and longer to discharge the output capacitor to the level that requires the next ON cycle. The ON time is maintained the same as that in the heavy-load condition. In reverse, when the output current increase from light load to heavy load, the switching frequency increases to the preset value as the inductor current reaches to the continuous conduction. The transition load point to the light load operation $I_{OUT(LL)}$ (i.e. the threshold between continuous and discontinuous conduction mode) can be calculated as shown in [Equation 1](#).

$$I_{OUT(LL)} = \frac{1}{2 \times L \times f_{SW}} \times \frac{(V_{IN} - V_{OUT}) \times V_{OUT}}{V_{IN}}$$

where

- f_{SW} is the PWM switching frequency (1)

Switching frequency versus output current during light-load conditions is a function of inductance (L), input voltage (V_{IN}) and output voltage (V_{OUT}), but it decreases almost proportional to the output current from the $I_{OUT(LL)}$.

Light-Load Condition in Out-of-Audio™ Operation (TPS51275B)

Out-of-Audio™ (OOA) light-load mode is a unique control feature that keeps the switching frequency above acoustic audible frequencies toward a virtual no-load condition. During Out-of-Audio™ operation, the OOA control circuit monitors the states of both high-side and low-side MOSFETs and forces them switching if both MOSFETs are off for more than 40 μs. When both high-side and low-side MOSFETs are off for 40 μs during a light-load condition, the operation mode is changed to FCCM. This mode change initiates one cycle of the low-side MOSFET and the high-side MOSFET turning on. Then, both MOSFETs stay turned off waiting for another 40 μs.

Table 1. SKIP Mode Operation (TPS51275/B/C)

| | SKIP MODE OPERATION |
|-----------|---------------------|
| TPS51275 | Auto-skip |
| TPS51275B | OOA |
| TPS51275C | Auto-skip |

D-CAP™ Mode

From small-signal loop analysis, a buck converter using D-CAP™ mode can be simplified as shown in [Figure 1](#).

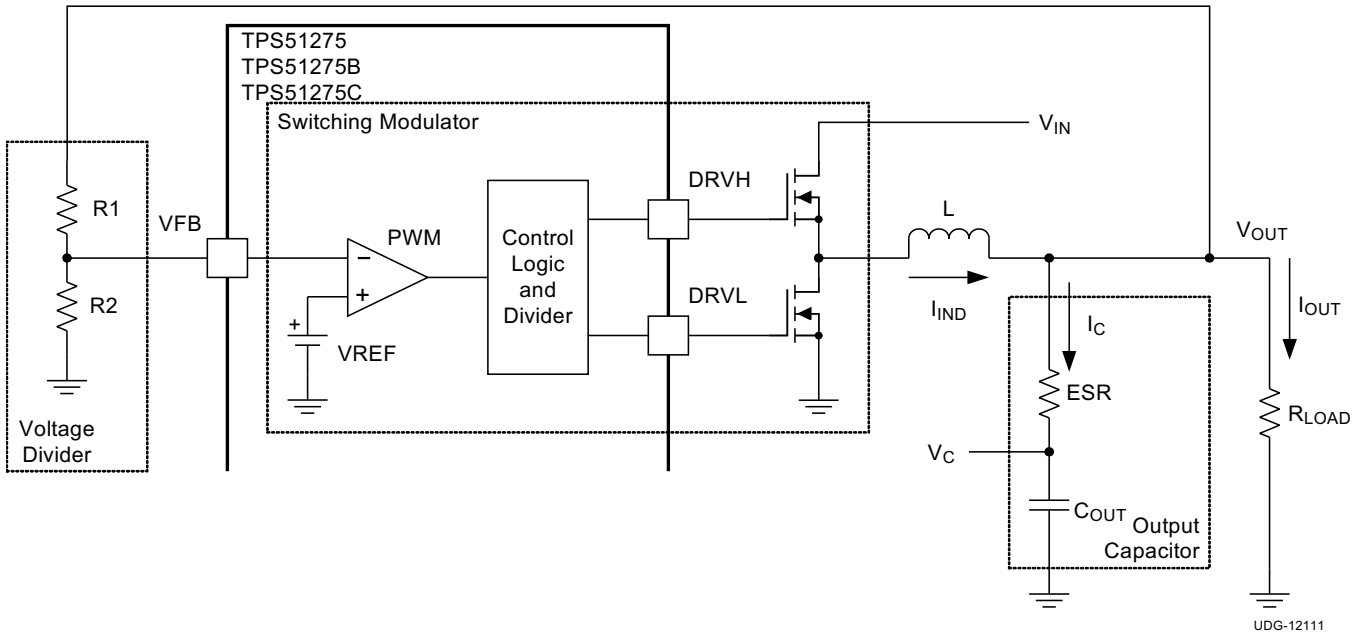


Figure 1. Simplifying the Modulator

The output voltage is compared with internal reference voltage after divider resistors, R1 and R2. The PWM comparator determines the timing to turn on the high-side MOSFET. The gain and speed of the comparator is high enough to keep the voltage at the beginning of each ON cycle substantially constant. For the loop stability, the 0dB frequency, f_0 , defined in [Equation 2](#) must be lower than 1/4 of the switching frequency.

$$f_0 = \frac{1}{2\pi \times \text{ESR} \times C_{\text{OUT}}} \leq \frac{f_{\text{SW}}}{4} \quad (2)$$

As f_0 is determined solely by the output capacitor characteristics, the loop stability during D-CAP™ mode is determined by the capacitor chemistry. For example, specialty polymer capacitors have output capacitance in the order of several hundred micro-Farads and ESR in range of 10 milli-ohms. These yield an f_0 value on the order of 100 kHz or less and the loop is stable. However, ceramic capacitors have f_0 at more than 700 kHz, which is not suitable for this operational mode.

Enable and Powergood

VREG3 is an always-on regulator (TPS51275), VREG3/VREG5 are always-on regulators (TPS51275B/C), when the input voltage is beyond the UVLO threshold it turns ON. VREG5 is turned ON when either EN1 or EN2 enters the ON state (TPS51275). The VCLK signal initiates when EN1 enters the ON state (TPS51275/B/C). Enable states are shown in Table 2 through Table 3.

Table 2. Enabling/PGOOD State (TPS51275)

| EN1 | EN2 | VREG5 | VREG3 | CH1 (5Vout) | CH2 (3.3Vout) | VCLK | PGOOD |
|-----|-----|-------|-------|-------------|---------------|------|-------|
| OFF | OFF | OFF | ON | OFF | OFF | OFF | Low |
| ON | OFF | ON | ON | ON | OFF | ON | Low |
| OFF | ON | ON | ON | OFF | ON | OFF | Low |
| ON | ON | ON | ON | ON | ON | ON | High |

Table 3. Enabling/PGOOD State (TPS51275B/C)

| EN1 | EN2 | VREG5 | VREG3 | CH1 (5Vout) | CH2 (3.3Vout) | VCLK | PGOOD |
|-----|-----|-------|-------|-------------|---------------|------|-------|
| OFF | OFF | ON | ON | OFF | OFF | OFF | Low |
| ON | OFF | ON | ON | ON | OFF | ON | Low |
| OFF | ON | ON | ON | OFF | ON | OFF | Low |
| ON | ON | ON | ON | ON | ON | ON | High |



Figure 2. TPS51275 Timing

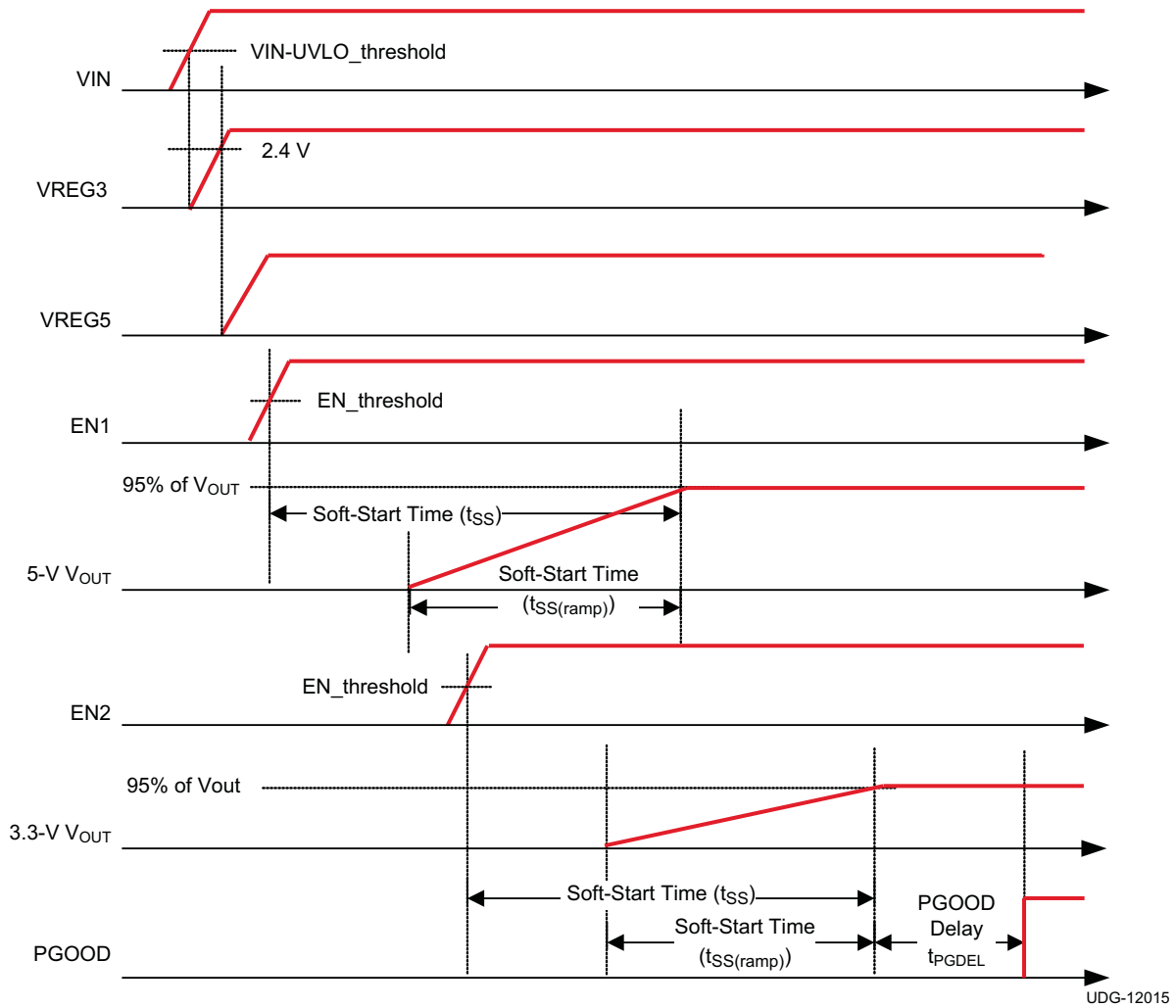


Figure 3. TPS51275B/C Timing

UDG-12015

Soft-Start and Discharge

The TPS51275/B/C operates an internal, 0.8-ms, voltage servo soft-start for each channel. When the ENx pin becomes higher than the enable threshold voltage, an internal DAC begins ramping up the reference voltage to the PWM comparator. Smooth control of the output voltage is maintained during start-up. When ENx becomes lower than the lower level of threshold voltage, TPS51275/B/C discharges outputs using internal MOSFETs through VO1 (CH1) and SW2 (CH2).

VREG5/VREG3 Linear Regulators

There are two sets of 100-mA standby linear regulators which output 5 V and 3.3 V, respectively. The VREG5 pin provides the current for the gate drivers. The VREG3 pin functions as the main power supply for the analog circuitry of the device. VREG3 is an *Always ON* LDO and TPS51275B/C has *Always ON* VREG5. (See [Table 2](#) and [Table 3](#))

Add ceramic capacitors with a value of 1 μ F or larger (X5R grade or better) placed close to the VREG5 and VREG3 pins to stabilize LDOs.

The VREG5 pin switchover function is asserted when three conditions are present:

- CH1 internal PGOOD is high
- CH1 is not in OCL condition
- VO1 voltage is higher than VREG5-1V

In this switchover condition three things occur:

- the internal 5-V LDO regulator is shut off
- the VREG5 output is connected to VO1 by internal switchover MOSFET
- VREG3 input pass is changed from VIN to VO1

VCLK for Charge Pump

The 260-kHz VCLK signal can be used in the charge pump circuit. The VCLK signal becomes available when EN1 is on state. The VCLK driver is driven by VO1 voltage. In a design that does not require VCLK output, leave the VCLK pin open.

Overcurrent Protection

TPS51275/B/C has cycle-by-cycle over current limiting control. The inductor current is monitored during the OFF state and the controller maintains the OFF state during the inductor current is larger than the overcurrent trip level. In order to provide both good accuracy and cost effective solution, TPS51275/B/C supports temperature compensated MOSFET $R_{DS(on)}$ sensing. The CSx pin should be connected to GND through the CS voltage setting resistor, R_{CS} . The CSx pin sources CS current (I_{CS}) which is 10 μ A typically at room temperature, and the CSx terminal voltage ($V_{CS} = R_{CS} \times I_{CS}$) should be in the range of 0.2 V to 2 V over all operation temperatures.

The trip level is set to the OCL trip voltage (V_{TRIP}) as shown in [Equation 3](#).

$$V_{TRIP} = \frac{R_{CS} \times I_{CS}}{8} + 1 \text{ mV} \quad (3)$$

The inductor current is monitored by the voltage between GND pin and SWx pin so that SWx pin should be connected to the drain terminal of the low-side MOSFET properly. The CS pin current has a 4500 ppm/ $^{\circ}$ C temperature slope to compensate the temperature dependency of the $R_{DS(on)}$. GND is used as the positive current sensing node so that GND should be connected to the source terminal of the low-side MOSFET.

As the comparison is done during the OFF state, V_{TRIP} sets the valley level of the inductor current. Thus, the load current at the overcurrent threshold, I_{OCP} , can be calculated as shown in [Equation 4](#).

$$I_{OCP} = \frac{V_{TRIP}}{R_{DS(on)}} + \frac{I_{IND(ripple)}}{2} = \frac{V_{TRIP}}{R_{DS(on)}} + \frac{1}{2 \times L \times f_{SW}} \times \frac{(V_{IN} - V_{OUT}) \times V_{OUT}}{V_{IN}} \quad (4)$$

In an overcurrent condition, the current to the load exceeds the current to the output capacitor thus the output voltage tends to fall down. Eventually, it ends up with crossing the undervoltage protection threshold and shutdown both channels.

Output Overvoltage/Undervoltage Protection

TPS51275/B/C asserts the overvoltage protection (OVP) when VFBx voltage reaches OVP trip threshold level. When an OVP event is detected, the controller changes the output target voltage to 0 V. This usually turns off DRVH and forces DRVL to be on. When the inductor current begins to flow through the low-side MOSFET and reaches the negative OCL, DRVL is turned off and DRVH is turned on. After the on-time expires, DRVH is turned off and DRVL is turned on again. This action minimizes the output node undershoot due to LC resonance. When the VFBx reaches 0V, the driver output is latched as DRVH off, DRVL on. The undervoltage protection (UVP) latch is set when the VFBx voltage remains lower than UVP trip threshold voltage for 250 μ s or longer. In this fault condition, the controller latches DRVH low and DRVL low and discharges the outputs. UVP detection function is enabled after 1.35 ms of SMPS operation to ensure startup.

Undervoltage Lockout (UVLO) Protection

TPS51275/B/C has undervoltage lock out protection at VIN, VREG5 and VREG3. When each voltage is lower than their UVLO threshold voltage, both SMPS are shut-off. They are non-latch protections.

Over-Temperature Protection

TPS51275/B/C features an internal temperature monitor. If the temperature exceeds the threshold value (typically 155°C), TPS51275/B/C is shut off including LDOs. This is non-latch protection.

External Components Selection

The external components selection is relatively simple for a design using D-CAP™ mode.

Step 1. Determine the Value of R1 and R2

The recommended R2 value is between 10 kΩ and 20 kΩ. Determine R1 using [Equation 5](#).

$$R1 = \frac{(V_{OUT} - 0.5 \times V_{RIPPLE} - 2.0)}{2.0} \times R2 \tag{5}$$

Step 2. Choose the Inductor

The inductance value should be determined to give the ripple current of approximately 1/3 of maximum output current and less than half of OCL (valley) threshold. Larger ripple current increases output ripple voltage, improves signal/noise ratio, and helps ensure stable operation.

$$L = \frac{1}{I_{IND(ripple)} \times f_{SW}} \times \frac{(V_{IN(max)} - V_{OUT}) \times V_{OUT}}{V_{IN(max)}} = \frac{3}{I_{OUT(max)} \times f_{SW}} \times \frac{(V_{IN(max)} - V_{OUT}) \times V_{OUT}}{V_{IN(max)}} \tag{6}$$

The inductor also needs to have low DCR to achieve good efficiency, as well as enough room above peak inductor current before saturation. The peak inductor current can be estimated as shown in [Equation 7](#).

$$I_{IND(peak)} = \frac{V_{TRIP}}{R_{DS(on)}} + \frac{1}{L \times f_{SW}} \times \frac{(V_{IN(max)} - V_{OUT}) \times V_{OUT}}{V_{IN(max)}} \tag{7}$$

Step 3. Choose Output Capacitor(s)

Organic semiconductor capacitor(s) or specialty polymer capacitor(s) are recommended. Determine ESR to meet required ripple voltage. A quick approximation is as shown in [Equation 8](#).

$$ESR = \frac{V_{OUT} \times 20mV \times (1-D)}{2V \times I_{IND(ripple)}} = \frac{20mV \times L \times f_{SW}}{2V} \tag{8}$$

where

- D as the duty-cycle factor
- the required output ripple voltage slope is approximately 20 mV per t_{SW} (switching period) in terms of VFB terminal

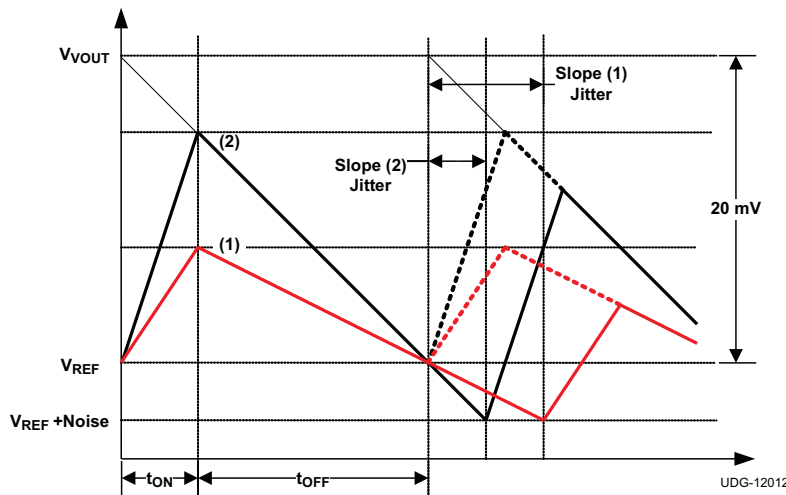


Figure 4. Ripple Voltage Slope and Jitter Performance

Layout Considerations

Good layout is essential for stable power supply operation. Follow these guidelines for an efficient PCB layout.

Placement

- Place voltage setting resistors close to the device pins.
- Place bypass capacitors for VREG5 and VREG3 close to the device pins.

Routing (Sensitive analog portion)

- Use small copper space for VFBx. There are short and narrow traces to avoid noise coupling.
- Connect VFB resistor trace to the positive node of the output capacitor. Routing inner layer away from power traces is recommended.
- Use short and wide trace from VFB resistor to vias to GND (internal GND plane).

Routing (Power portion)

- Use wider/shorter traces of DRVL for low-side gate drivers to reduce stray inductance.
- Use the parallel traces of SW and DRVH for high-side MOSFET gate drive in a same layer or on adjoint layers, and keep them away from DRVL.
- Use wider/ shorter traces between the source terminal of the high-side MOSFET and the drain terminal of the low-side MOSFET
- Thermal pad is the GND terminal of this device. Five or more vias with 0.33-mm (13-mils) diameter connected from the thermal pad to the internal GND plane should be used to have strong GND connection and help heat dissipation.

TYPICAL CHARACTERISTICS

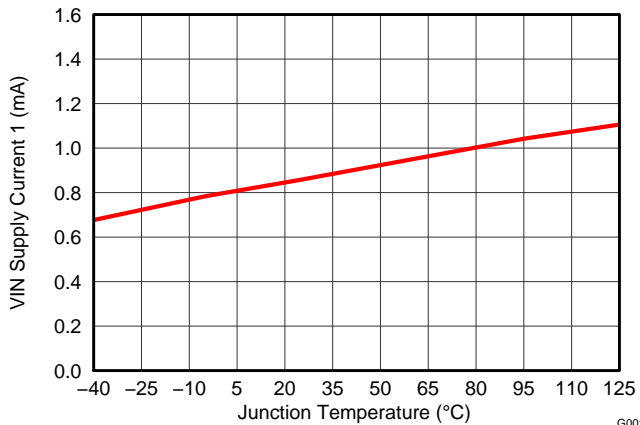


Figure 5. VIN Supply Current 1 vs. Junction Temperature

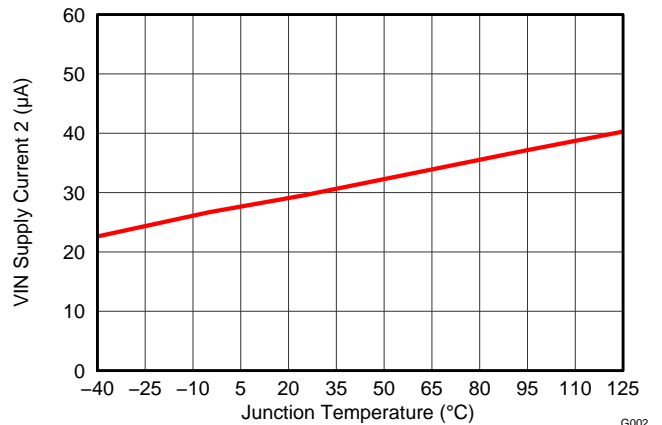


Figure 6. VIN Supply Current 2 vs. Junction Temperature

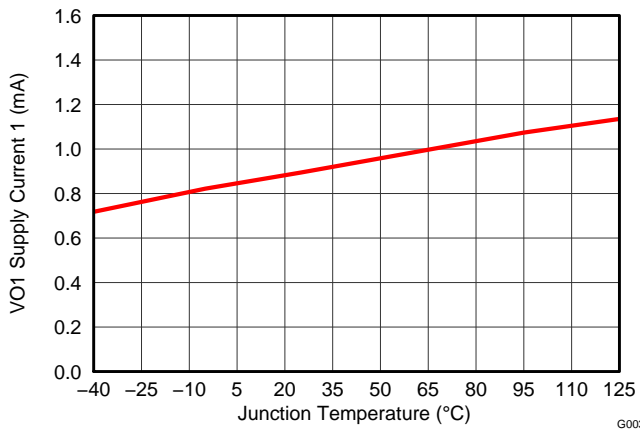


Figure 7. VO1 Supply Current 1 vs. Junction Temperature

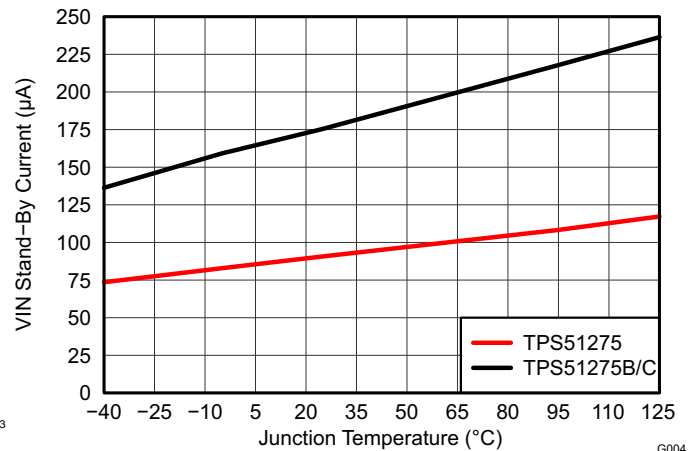


Figure 8. VIN Stand-By Current vs. Junction Temperature

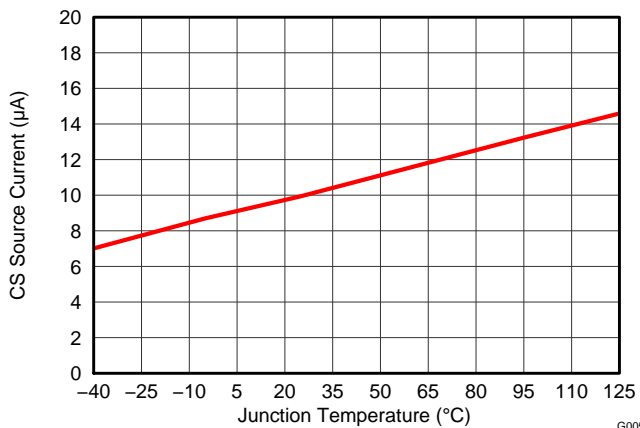


Figure 9. CS Source Current vs. Junction Temperature

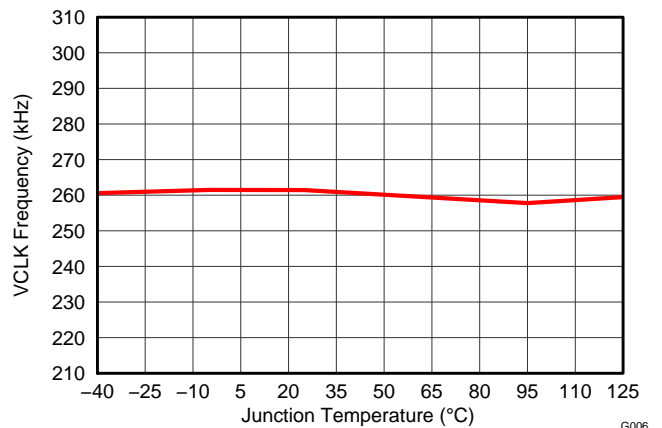


Figure 10. Clock Frequency vs. Junction Temperature

TYPICAL CHARACTERISTICS (continued)

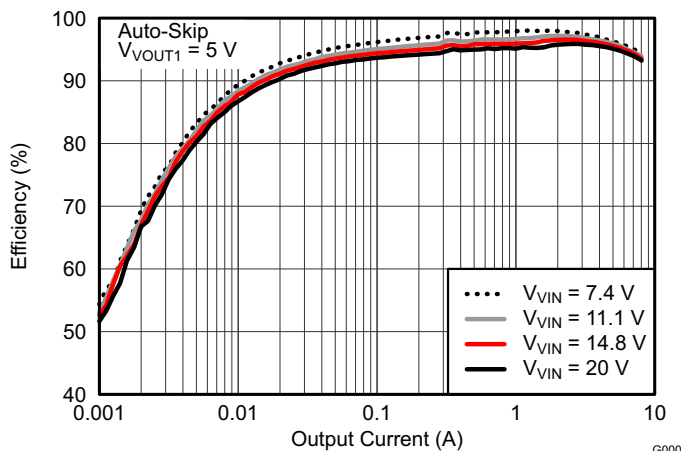


Figure 11. Efficiency vs. Output Current

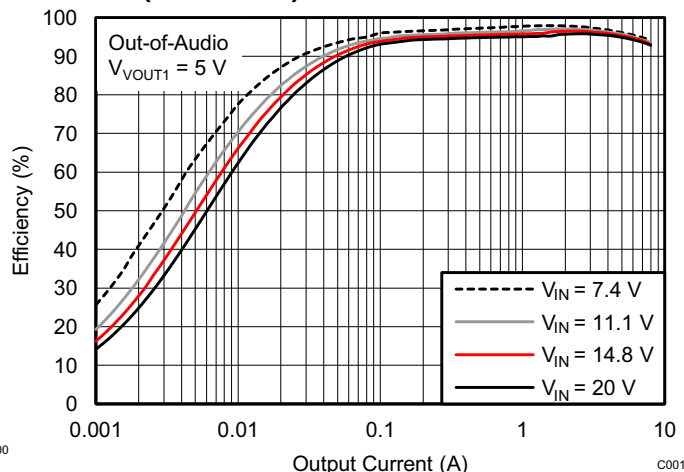


Figure 12. Efficiency vs. Output Current

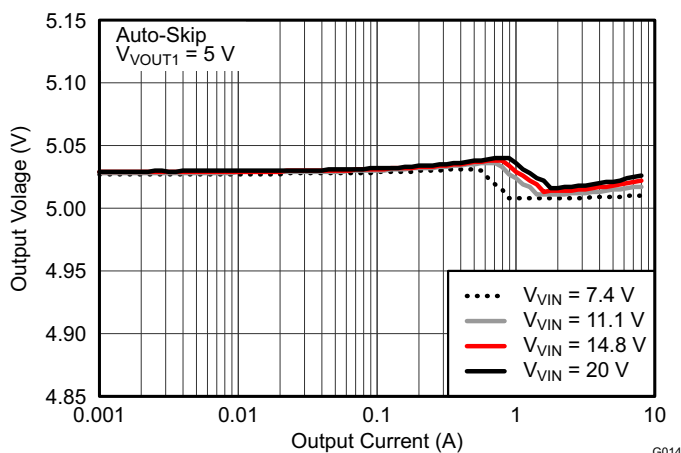


Figure 13. Load Regulation

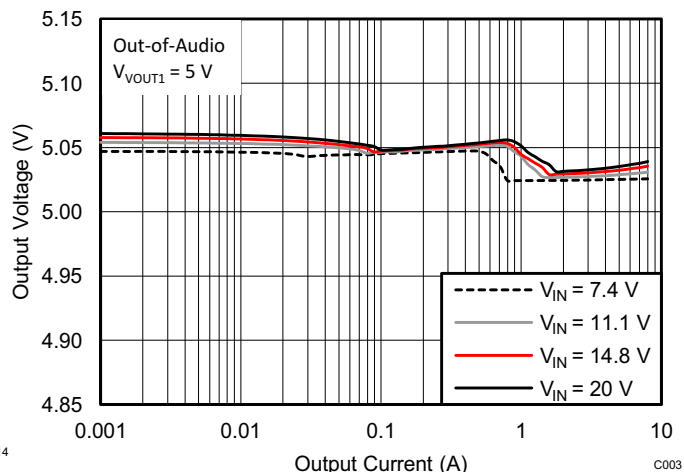


Figure 14. Load Regulation

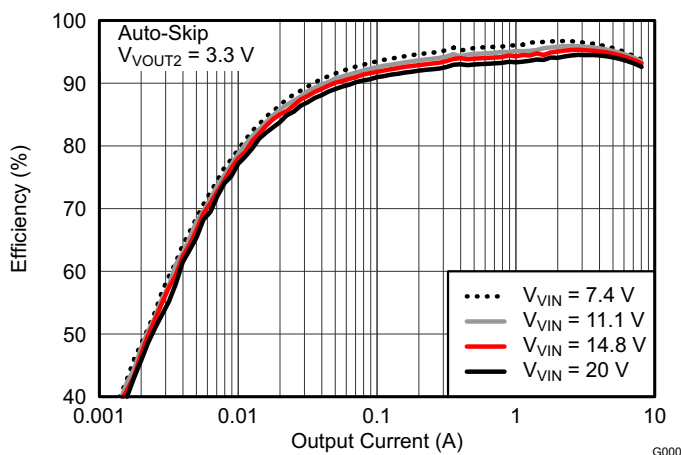


Figure 15. Efficiency vs. Output Current

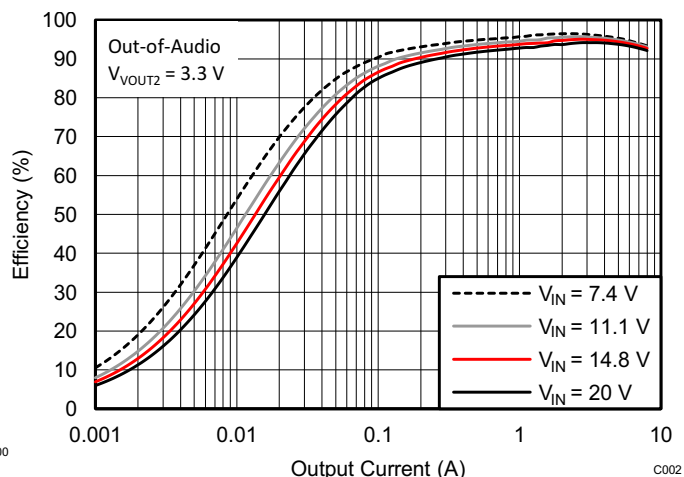


Figure 16. Efficiency vs. Output Current

TYPICAL CHARACTERISTICS (continued)

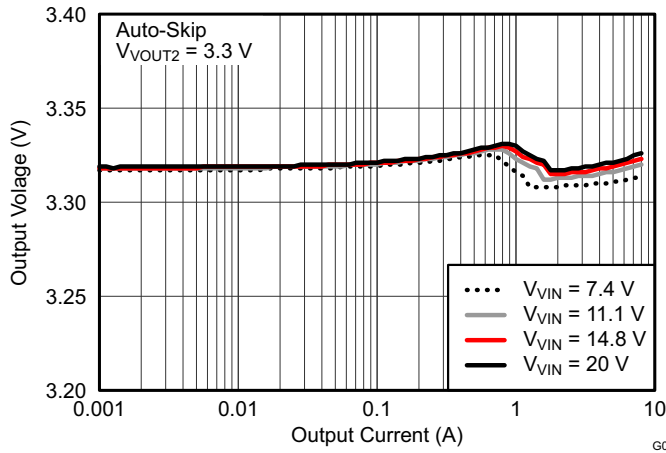


Figure 17. Load Regulation

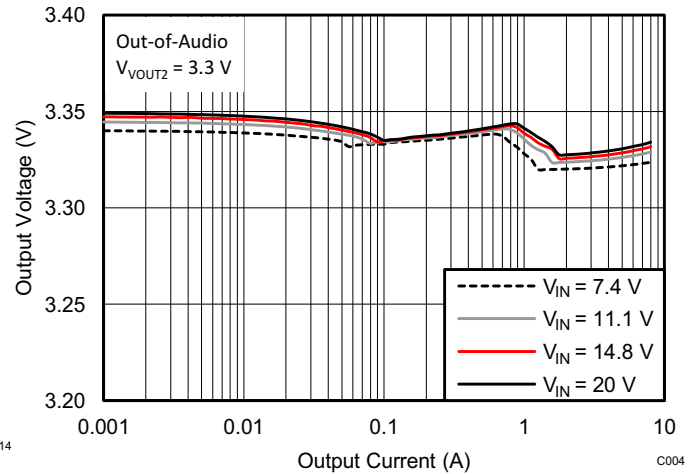


Figure 18. Load Regulation

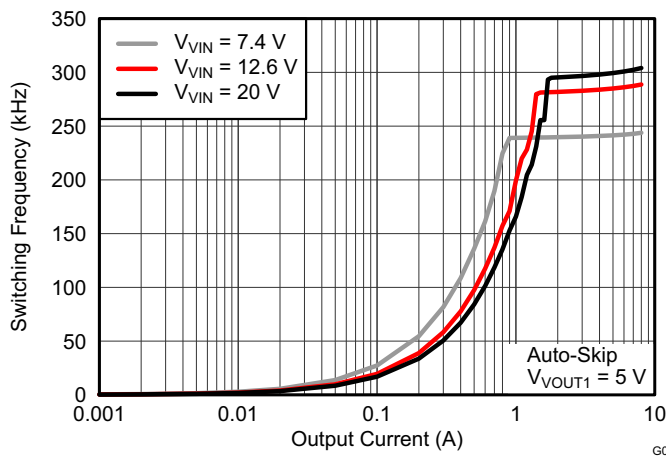


Figure 19. Switching Frequency vs. Output Current

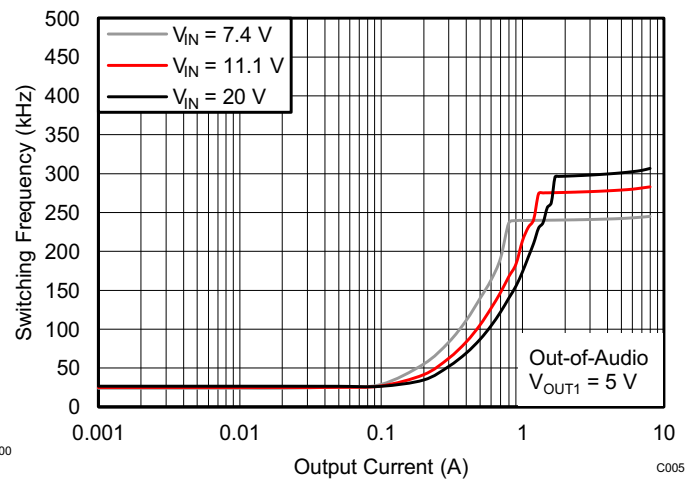


Figure 20. Switching Frequency vs. Output Current

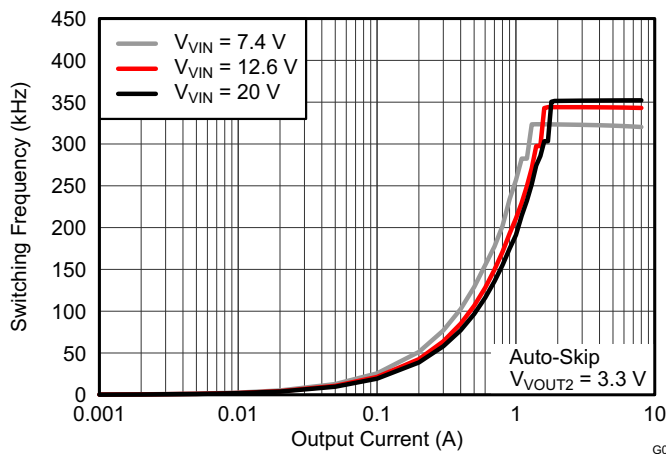


Figure 21. Switching Frequency vs. Output Current

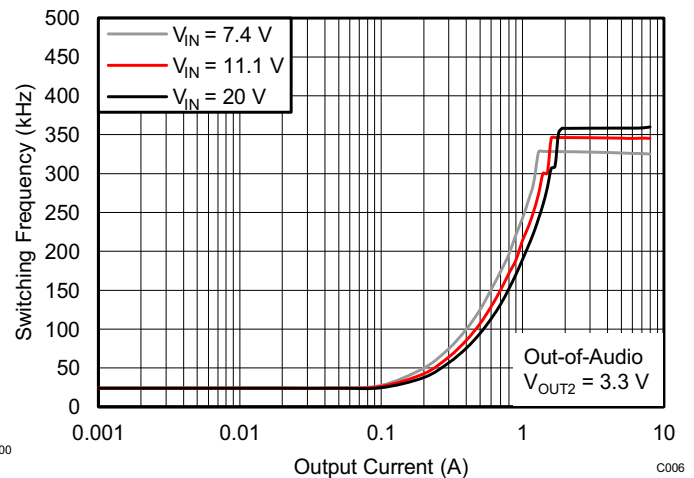
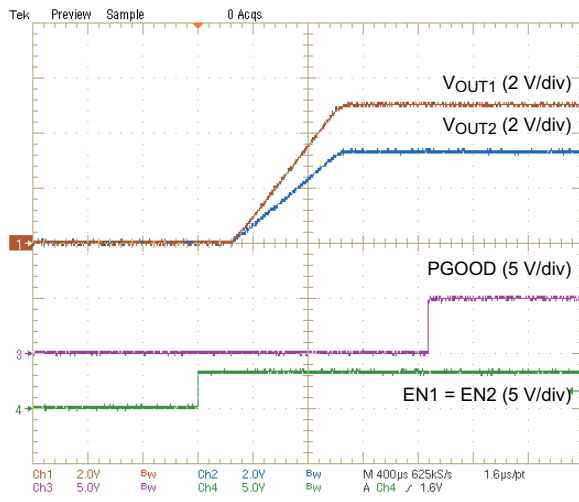
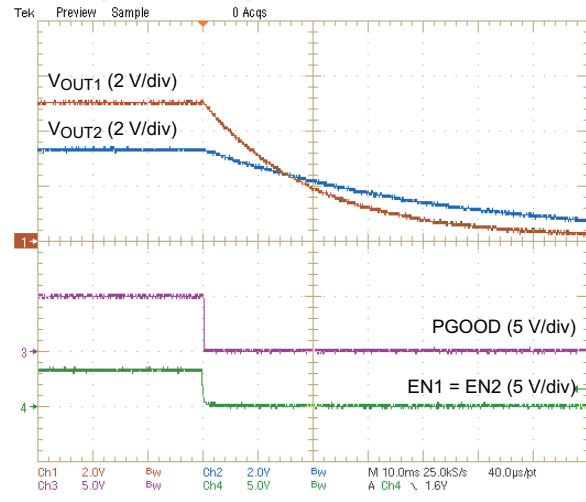


Figure 22. Switching Frequency vs. Output Current

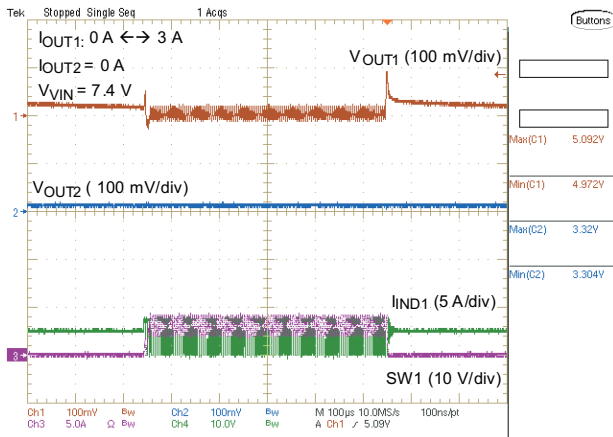
TYPICAL CHARACTERISTICS (continued)



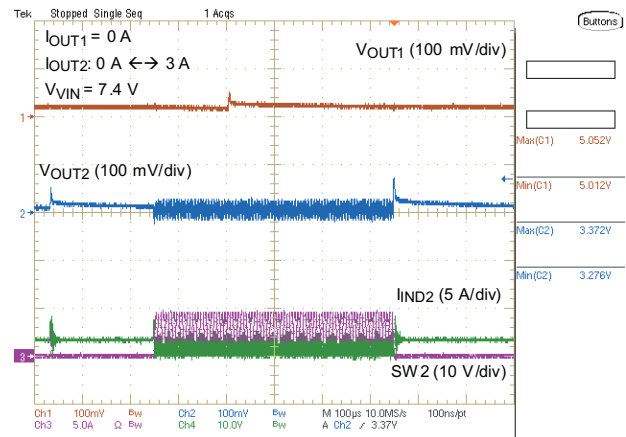
Time (400 μs/div)
Figure 23. Start-Up



Time (10 ms/div)
Figure 24. Output Discharge



Time (100 μs/div)
Figure 25. 5-V Load Transient



Time (100 μs/div)
Figure 26. 3.3-V Load Transient

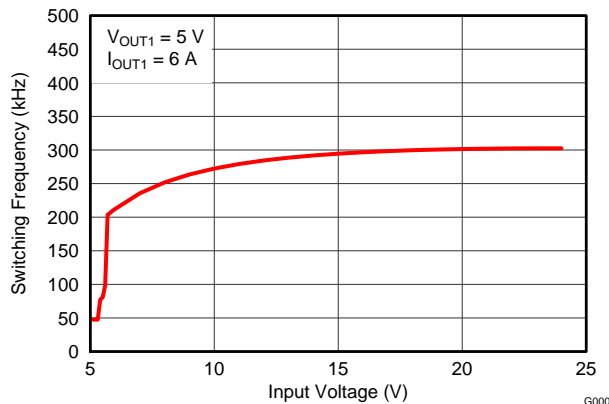


Figure 27. Switching Frequency vs. Input Voltage

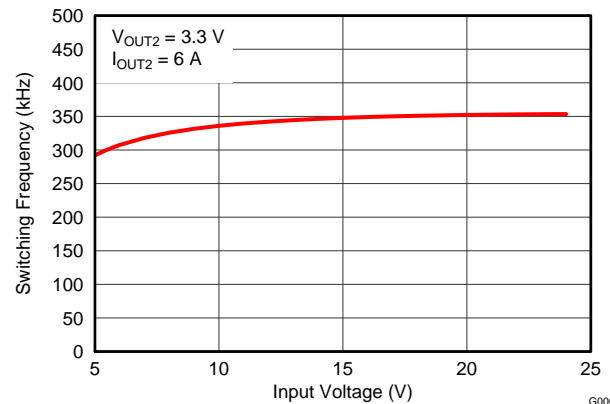


Figure 28. Switching Frequency vs. Input Voltage

APPLICATION DIAGRAM (TPS51275/TPS51275B/TPS51275C)

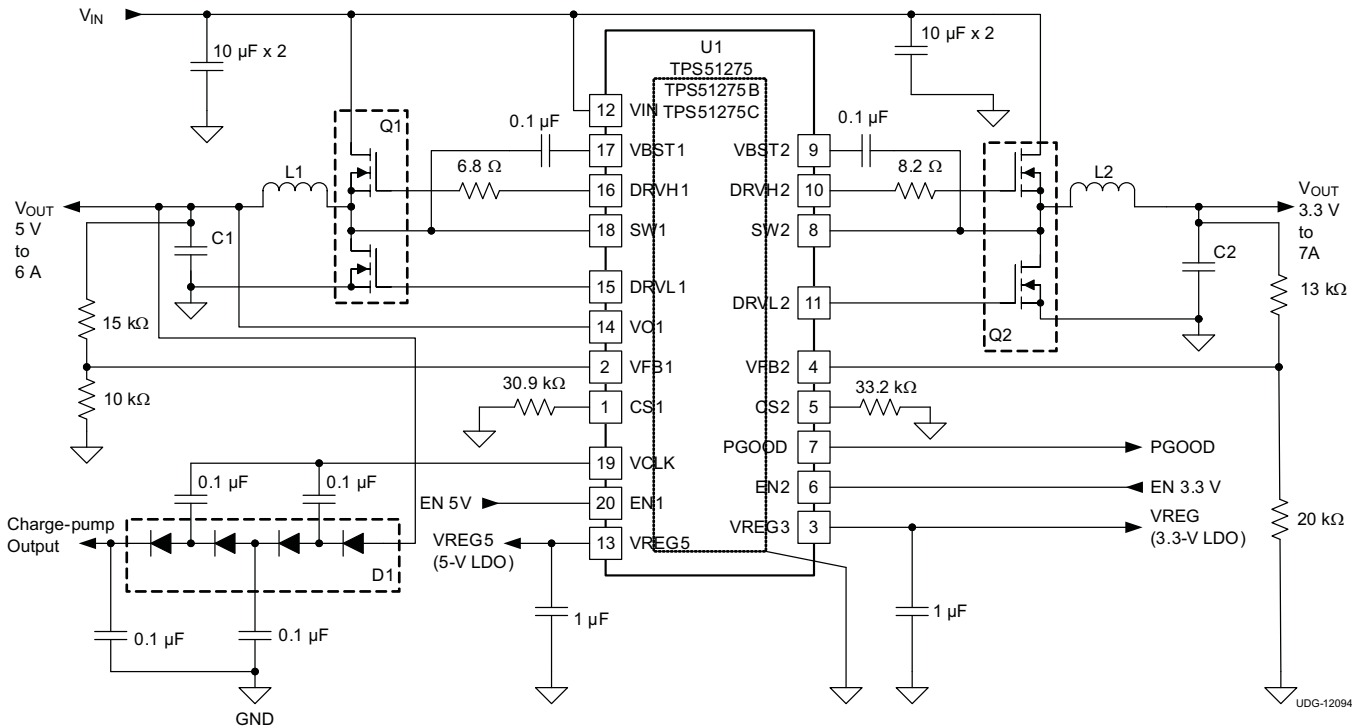


Table 4. Key External Components (APPLICATION DIAGRAM (TPS51275/TPS51275B/TPS51275C))

| REFERENCE DESIGNATOR | FUNCTION | MANUFACTURER | PART NUMBER |
|----------------------|--|--------------|-----------------|
| L1 | Output Inductor (5-V _{OUT}) | Alps | GLMC3R303A |
| L2 | Output Inductor (3.3-V _{OUT}) | Alps | GLMC2R203A |
| C1 | Output Capacitor (5-V _{OUT}) | SANYO | 6TPE220MAZB x 2 |
| C2 | Output Capacitor (3.3-V _{OUT}) | SANYO | 6TPE220MAZB x 2 |
| Q1 | MOSFET (5-V _{OUT}) | TI | CSD87330Q3D |
| Q2 | MOSFET (3.3-V _{OUT}) | TI | CSD87330Q3D |

REVISION HISTORY

| Changes from Original (JUNE 2011) to Revision A | Page |
|---|-------------|
| • Changed typographical error in V_{VREG3} condition in ELECTRICAL CHARACTERISTICS table | 5 |
| • Added V_{VREG3} specification in ELECTRICAL CHARACTERISTICS table | 5 |
| • Changed updated inductor values in APPLICATION DIAGRAM (TPS51275/TPS51275B/TPS51275C) and Table 4 | 22 |
| Changes from Revision A (September 2012) to Revision B | Page |
| • Changed revision date From A Septemer 2012 to B March 2013. Also added device TPS51275B to Part number | 1 |
| • Added (TPS151275/B/C) to Auto-skip ListItem in the FEATURES | 1 |
| • Added new OOA ListItem to FEATURES | 1 |
| • Changed TPS51275/C TO TPS51275/B/C globally | 1 |
| • Changed the ORDERING INFORMATION table. | 1 |
| • Changed the device number from TPS51275C TO TPS51275B/C in the elec chara table 2 places | 5 |
| • Added TPS51275B to the PIN NO. column | 7 |
| • Added OOA section after the Auto-Skip section | 11 |
| • Changed the APPLICATION DIAGRAM. | 22 |

PACKAGING INFORMATION

| Orderable Device | Status (1) | Package Type | Package Drawing | Pins | Package Qty | Eco Plan (2) | Lead finish/ Ball material (6) | MSL Peak Temp (3) | Op Temp (°C) | Device Marking (4/5) | Samples |
|------------------|---------------|--------------|-----------------|------|-------------|-----------------|--------------------------------------|----------------------|--------------|-------------------------|-------------------------|
| TPS51275BRUKR | ACTIVE | WQFN | RUK | 20 | 3000 | RoHS & Green | NIPDAU | Level-1-260C-UNLIM | -40 to 125 | 1275B | Samples |
| TPS51275BRUKT | ACTIVE | WQFN | RUK | 20 | 250 | RoHS & Green | NIPDAU | Level-1-260C-UNLIM | -40 to 125 | 1275B | Samples |
| TPS51275CRUKR | ACTIVE | WQFN | RUK | 20 | 3000 | RoHS & Green | NIPDAU | Level-1-260C-UNLIM | -40 to 125 | 1275C | Samples |
| TPS51275CRUKT | ACTIVE | WQFN | RUK | 20 | 250 | RoHS & Green | NIPDAU | Level-1-260C-UNLIM | -40 to 125 | 1275C | Samples |
| TPS51275RUKR | ACTIVE | WQFN | RUK | 20 | 3000 | RoHS & Green | NIPDAU | Level-1-260C-UNLIM | -40 to 85 | 51275 | Samples |
| TPS51275RUKT | ACTIVE | WQFN | RUK | 20 | 250 | RoHS & Green | NIPDAU | Level-1-260C-UNLIM | -40 to 85 | 51275 | Samples |

(1) The marketing status values are defined as follows:

ACTIVE: Product device recommended for new designs.

LIFEBUY: TI has announced that the device will be discontinued, and a lifetime-buy period is in effect.

NRND: Not recommended for new designs. Device is in production to support existing customers, but TI does not recommend using this part in a new design.

PREVIEW: Device has been announced but is not in production. Samples may or may not be available.

OBSOLETE: TI has discontinued the production of the device.

(2) **RoHS:** TI defines "RoHS" to mean semiconductor products that are compliant with the current EU RoHS requirements for all 10 RoHS substances, including the requirement that RoHS substance do not exceed 0.1% by weight in homogeneous materials. Where designed to be soldered at high temperatures, "RoHS" products are suitable for use in specified lead-free processes. TI may reference these types of products as "Pb-Free".

RoHS Exempt: TI defines "RoHS Exempt" to mean products that contain lead but are compliant with EU RoHS pursuant to a specific EU RoHS exemption.

Green: TI defines "Green" to mean the content of Chlorine (Cl) and Bromine (Br) based flame retardants meet JS709B low halogen requirements of <=1000ppm threshold. Antimony trioxide based flame retardants must also meet the <=1000ppm threshold requirement.

(3) MSL, Peak Temp. - The Moisture Sensitivity Level rating according to the JEDEC industry standard classifications, and peak solder temperature.

(4) There may be additional marking, which relates to the logo, the lot trace code information, or the environmental category on the device.

(5) Multiple Device Markings will be inside parentheses. Only one Device Marking contained in parentheses and separated by a "-" will appear on a device. If a line is indented then it is a continuation of the previous line and the two combined represent the entire Device Marking for that device.

(6) Lead finish/Ball material - Orderable Devices may have multiple material finish options. Finish options are separated by a vertical ruled line. Lead finish/Ball material values may wrap to two lines if the finish value exceeds the maximum column width.

Important Information and Disclaimer: The information provided on this page represents TI's knowledge and belief as of the date that it is provided. TI bases its knowledge and belief on information provided by third parties, and makes no representation or warranty as to the accuracy of such information. Efforts are underway to better integrate information from third parties. TI has taken and continues to take reasonable steps to provide representative and accurate information but may not have conducted destructive testing or chemical analysis on incoming materials and chemicals. TI and TI suppliers consider certain information to be proprietary, and thus CAS numbers and other limited information may not be available for release.

In no event shall TI's liability arising out of such information exceed the total purchase price of the TI part(s) at issue in this document sold by TI to Customer on an annual basis.

TAPE AND REEL INFORMATION

QUADRANT ASSIGNMENTS FOR PIN 1 ORIENTATION IN TAPE


*All dimensions are nominal

| Device | Package Type | Package Drawing | Pins | SPQ | Reel Diameter (mm) | Reel Width W1 (mm) | A0 (mm) | B0 (mm) | K0 (mm) | P1 (mm) | W (mm) | Pin1 Quadrant |
|---------------|--------------|-----------------|------|------|--------------------|--------------------|---------|---------|---------|---------|--------|---------------|
| TPS51275BRUKR | WQFN | RUK | 20 | 3000 | 330.0 | 12.4 | 3.3 | 3.3 | 1.1 | 8.0 | 12.0 | Q2 |
| TPS51275BRUKT | WQFN | RUK | 20 | 250 | 180.0 | 12.4 | 3.3 | 3.3 | 1.1 | 8.0 | 12.0 | Q2 |
| TPS51275CRUKR | WQFN | RUK | 20 | 3000 | 330.0 | 12.4 | 3.3 | 3.3 | 1.1 | 8.0 | 12.0 | Q2 |
| TPS51275CRUKT | WQFN | RUK | 20 | 250 | 180.0 | 12.4 | 3.3 | 3.3 | 1.1 | 8.0 | 12.0 | Q2 |
| TPS51275RUKR | WQFN | RUK | 20 | 3000 | 330.0 | 12.4 | 3.3 | 3.3 | 1.1 | 8.0 | 12.0 | Q2 |
| TPS51275RUKR | WQFN | RUK | 20 | 3000 | 330.0 | 12.4 | 3.3 | 3.3 | 1.1 | 8.0 | 12.0 | Q2 |
| TPS51275RUKT | WQFN | RUK | 20 | 250 | 180.0 | 12.4 | 3.3 | 3.3 | 1.1 | 8.0 | 12.0 | Q2 |
| TPS51275RUKT | WQFN | RUK | 20 | 250 | 180.0 | 12.4 | 3.3 | 3.3 | 1.1 | 8.0 | 12.0 | Q2 |

TAPE AND REEL BOX DIMENSIONS


*All dimensions are nominal

| Device | Package Type | Package Drawing | Pins | SPQ | Length (mm) | Width (mm) | Height (mm) |
|---------------|--------------|-----------------|------|------|-------------|------------|-------------|
| TPS51275BRUKR | WQFN | RUK | 20 | 3000 | 367.0 | 367.0 | 35.0 |
| TPS51275BRUKT | WQFN | RUK | 20 | 250 | 210.0 | 185.0 | 35.0 |
| TPS51275CRUKR | WQFN | RUK | 20 | 3000 | 335.0 | 335.0 | 25.0 |
| TPS51275CRUKT | WQFN | RUK | 20 | 250 | 210.0 | 185.0 | 35.0 |
| TPS51275RUKR | WQFN | RUK | 20 | 3000 | 367.0 | 367.0 | 35.0 |
| TPS51275RUKR | WQFN | RUK | 20 | 3000 | 346.0 | 346.0 | 33.0 |
| TPS51275RUKT | WQFN | RUK | 20 | 250 | 210.0 | 185.0 | 35.0 |
| TPS51275RUKT | WQFN | RUK | 20 | 250 | 182.0 | 182.0 | 20.0 |

GENERIC PACKAGE VIEW

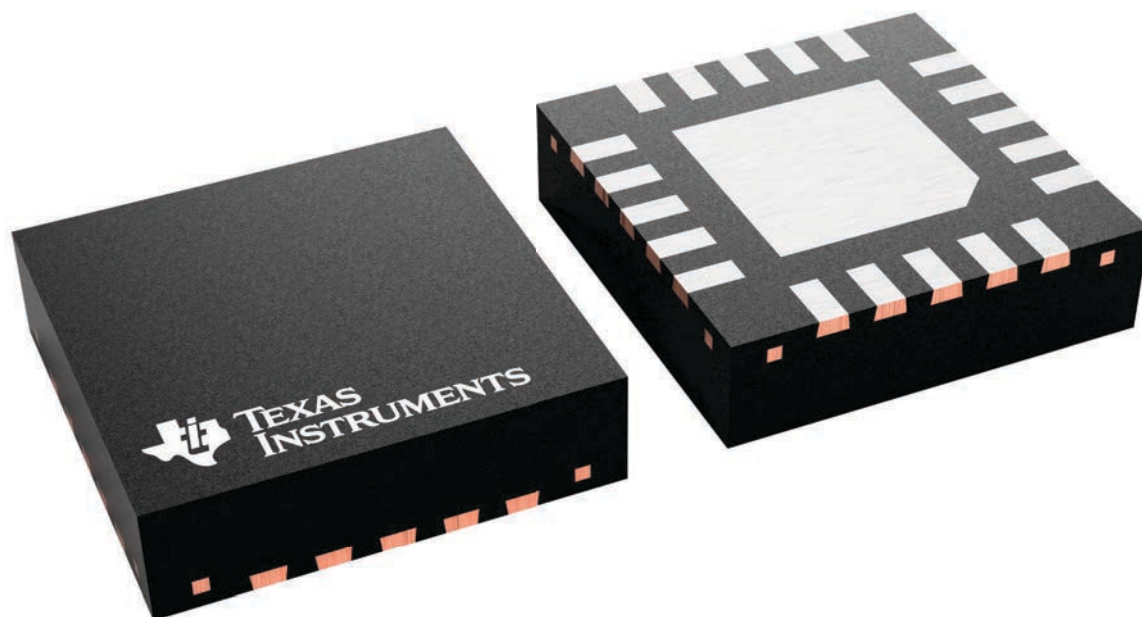
RUK 20

WQFN - 0.8 mm max height

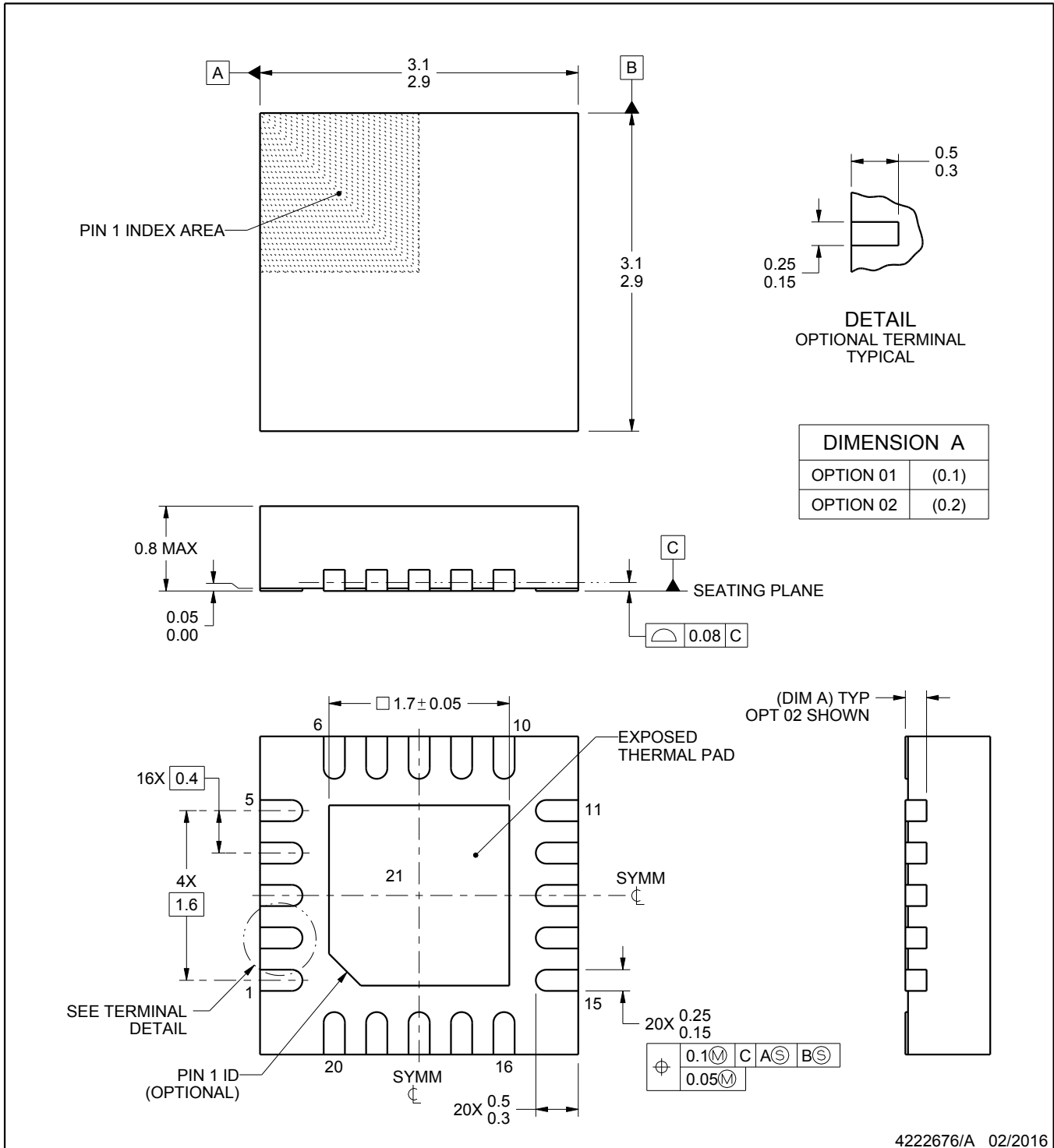
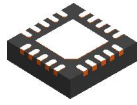
3 x 3, 0.4 mm pitch

PLASTIC QUAD FLATPACK - NO LEAD

This image is a representation of the package family, actual package may vary.
Refer to the product data sheet for package details.



4229651/A



4222676/A 02/2016

NOTES:

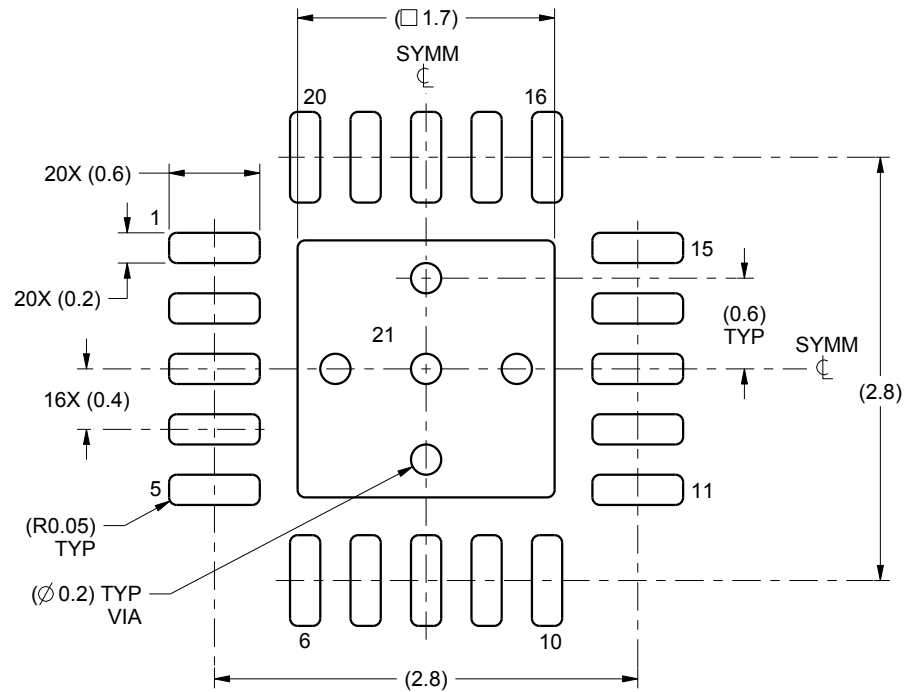
1. All linear dimensions are in millimeters. Any dimensions in parenthesis are for reference only. Dimensioning and tolerancing per ASME Y14.5M.
2. This drawing is subject to change without notice.
3. The package thermal pad must be soldered to the printed circuit board for thermal and mechanical performance.

EXAMPLE BOARD LAYOUT

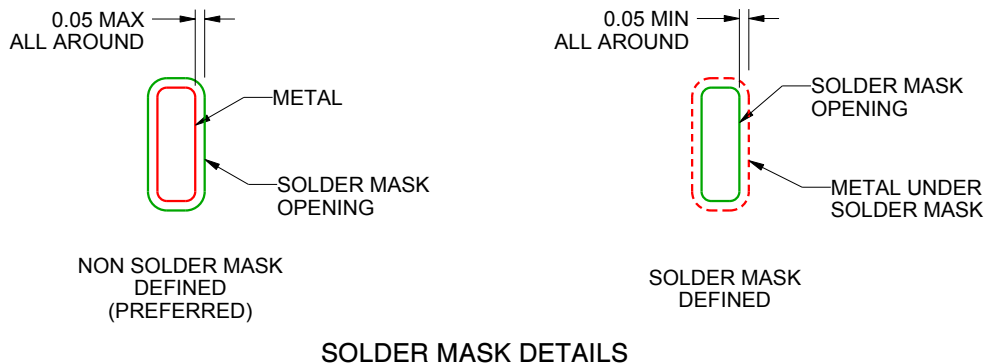
RUK0020B

WQFN - 0.8 mm max height

PLASTIC QUAD FLATPACK - NO LEAD



LAND PATTERN EXAMPLE
SCALE:20X



SOLDER MASK DETAILS

4222676/A 02/2016

NOTES: (continued)

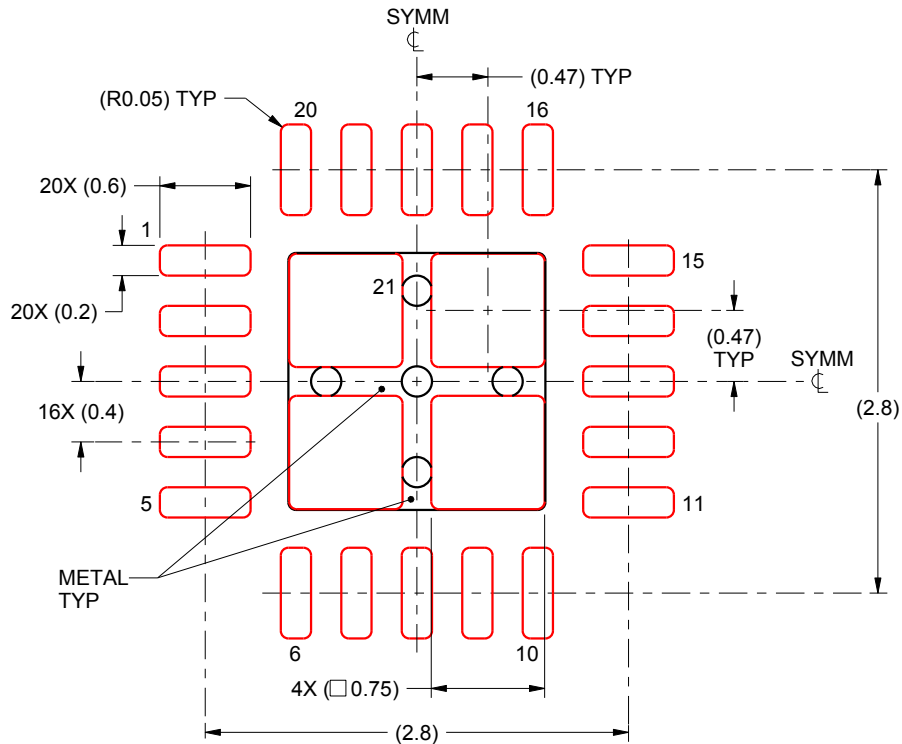
4. This package is designed to be soldered to a thermal pad on the board. For more information, see Texas Instruments literature number SLUA271 (www.ti.com/lit/sluea271).
5. Vias are optional depending on application, refer to device data sheet. If any vias are implemented, refer to their locations shown on this view. It is recommended that vias under paste be filled, plugged or tented.

EXAMPLE STENCIL DESIGN

RUK0020B

WQFN - 0.8 mm max height

PLASTIC QUAD FLATPACK - NO LEAD



SOLDER PASTE EXAMPLE BASED ON 0.1 mm THICK STENCIL

EXPOSED PAD 21:
78% PRINTED SOLDER COVERAGE BY AREA UNDER PACKAGE
SCALE:20X

4222676/A 02/2016

NOTES: (continued)

6. Laser cutting apertures with trapezoidal walls and rounded corners may offer better paste release. IPC-7525 may have alternate design recommendations.

IMPORTANT NOTICE AND DISCLAIMER

TI PROVIDES TECHNICAL AND RELIABILITY DATA (INCLUDING DATA SHEETS), DESIGN RESOURCES (INCLUDING REFERENCE DESIGNS), APPLICATION OR OTHER DESIGN ADVICE, WEB TOOLS, SAFETY INFORMATION, AND OTHER RESOURCES "AS IS" AND WITH ALL FAULTS, AND DISCLAIMS ALL WARRANTIES, EXPRESS AND IMPLIED, INCLUDING WITHOUT LIMITATION ANY IMPLIED WARRANTIES OF MERCHANTABILITY, FITNESS FOR A PARTICULAR PURPOSE OR NON-INFRINGEMENT OF THIRD PARTY INTELLECTUAL PROPERTY RIGHTS.

These resources are intended for skilled developers designing with TI products. You are solely responsible for (1) selecting the appropriate TI products for your application, (2) designing, validating and testing your application, and (3) ensuring your application meets applicable standards, and any other safety, security, regulatory or other requirements.

These resources are subject to change without notice. TI grants you permission to use these resources only for development of an application that uses the TI products described in the resource. Other reproduction and display of these resources is prohibited. No license is granted to any other TI intellectual property right or to any third party intellectual property right. TI disclaims responsibility for, and you will fully indemnify TI and its representatives against, any claims, damages, costs, losses, and liabilities arising out of your use of these resources.

TI's products are provided subject to [TI's Terms of Sale](#) or other applicable terms available either on [ti.com](https://www.ti.com) or provided in conjunction with such TI products. TI's provision of these resources does not expand or otherwise alter TI's applicable warranties or warranty disclaimers for TI products.

TI objects to and rejects any additional or different terms you may have proposed.

Mailing Address: Texas Instruments, Post Office Box 655303, Dallas, Texas 75265
Copyright © 2024, Texas Instruments Incorporated