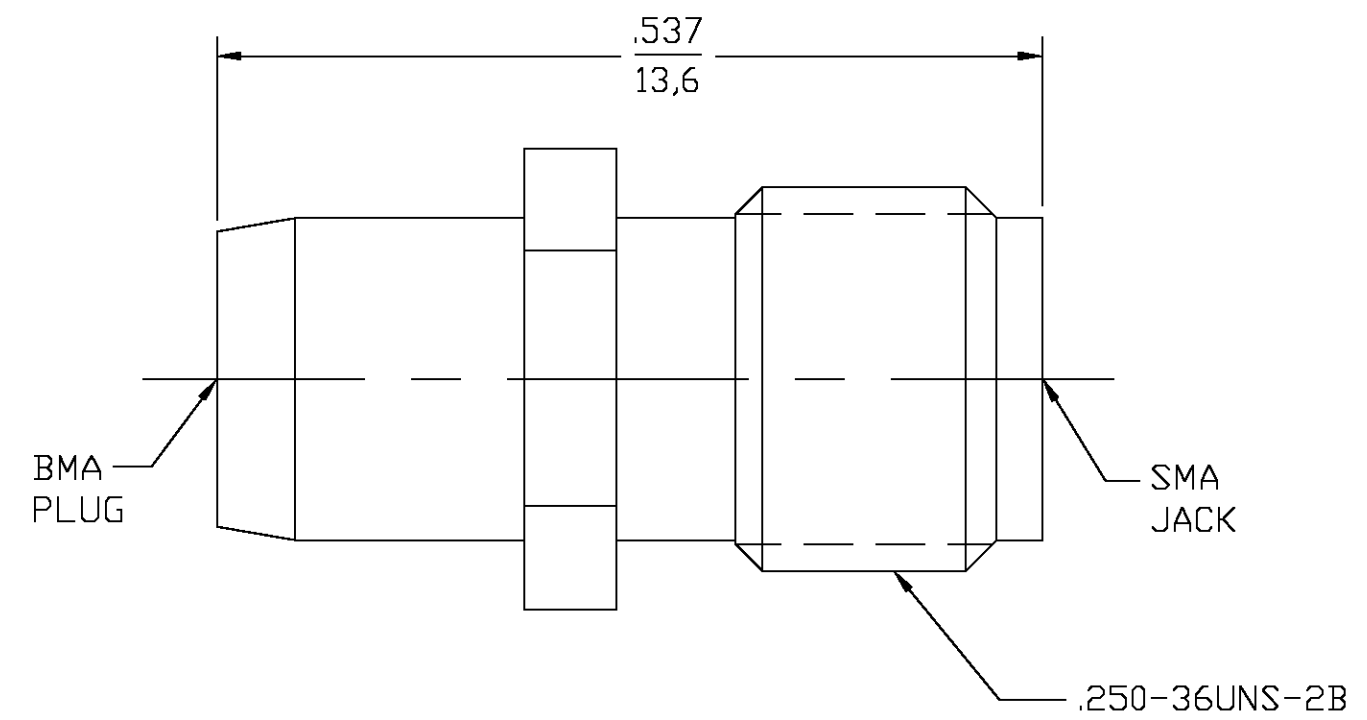
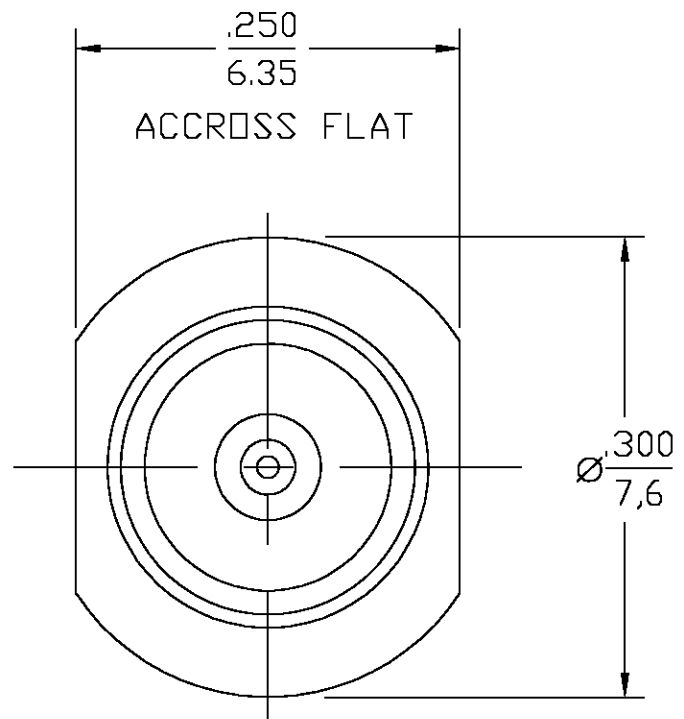


THIS DRAWING IS UNPUBLISHED. RELEASED FOR PUBLICATION  
 © COPYRIGHT BY TYCO ELECTRONICS CORPORATION. ALL RIGHTS RESERVED.

LOC	DIST	REVISIONS					
HC	00	P	LTR	DESCRIPTION	DATE	DWN	APVD
		A		RELEASE	6/6/03	-	DCam



- NOTES:
1. FREQUENCY RANGE: DC TO 18 GHz
  2. VSWR: 1.05 +.005 f(GHz)
  3. INSERTION LOSS: .06 √f(GHz)
  4. CAPTURED CENTER CONTACT

HOUSING	STAINLESS STEEL ASTM-A484 & ASTM-A582 TYPE 303	PASSIVATE PER QQ-P-35
CONTACT	BERYLLIUM COPPER PER ASTM-B-196, ALLOY C17300, COND H	GOLD PLATE PER MIL-G-45204
DIELECTRIC	PTFE FLUOROCARBON PER ASTM-D-4894	N/A
COMPONENT	MATERIAL	FINISH

1059716-1  
PART NO

THIS DRAWING IS A CONTROLLED DOCUMENT.		DWN PVC	4/29/82	 Tyco Electronics Corporation Norwood, MA 02062
DIMENSIONS: INCHES / mm		CHK RAL	4/29/82	
		APVD JK	4/29/82	
TOLERANCES UNLESS OTHERWISE SPECIFIED: 0 PLC ± - 1 PLC ± - 2 PLC ± - 3 PLC ± .005 4 PLC ± - ANGLES ± 1		NAME BMA (OSP) PLUG TO SMA JACK ADAPTER (4582-2240-02)		
MATERIAL	FINISH	PRODUCT SPEC	APPLICATION SPEC	RESTRICTED TO
-	-	-	-	-
CUSTOMER DRAWING		SIZE	CAGE CODE	DRAWING NO
		A3	00779	©-1059716
		SCALE	SHEET	REV
		8:1	1 OF 1	A

# Mouser Electronics

Authorized Distributor

Click to View Pricing, Inventory, Delivery & Lifecycle Information:

[TE Connectivity:](#)

[4582-2240-02](#)