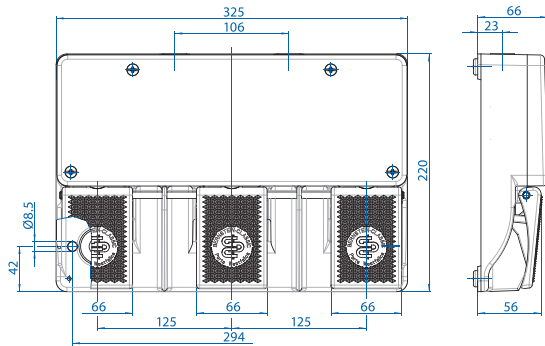


Triple Pedal

STANDARD WITHOUT COVER



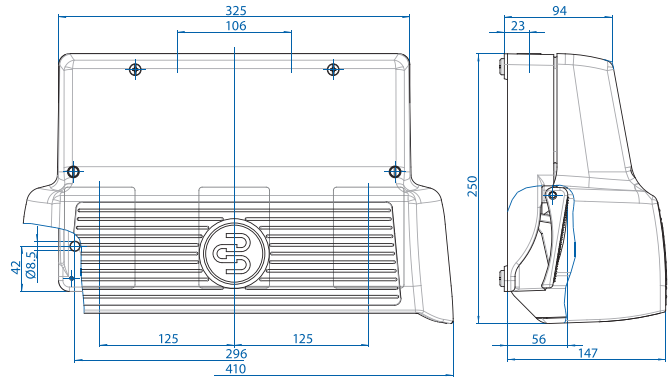
Standard OFF-ON Operation-
Push pedal to change contact state. Release pedal to return to original state.



STANDARD WITH COVER



Standard OFF-ON Operation-
Push pedal to change contact state. Release pedal to return to original state.



Three pedal foot switch F3

Article number	Designation	Switching contacts
Snap-action contact:		
		Pedal 1 (left) Pedal 2 (middle) Pedal 3 (right)
616.3444.577	F3-SU2Z/SU2Z/SU2Z	2NC / 2NO 2NC / 2NO 2NC / 2NO
Slow-action contact:		
		Pedal 1 (left) Pedal 2 (middle) Pedal 3 (right)
606.3111.025	F3-U1Z/U1Z/U1Z	1NC / 1NO 1NC / 1NO 1NC / 1NO

Three pedal foot switch F3

Article number	Designation	Switching contacts
Snap-action contact:		
		Pedal 1 (left) Pedal 2 (middle) Pedal 3 (right)
606.3833.045	F3-SU1Z/SU1Z/SU1Z UN	1NC / 1NO 1NC / 1NO 1NC / 1NO
Slow-action contact:		
		Pedal 1 (left) Pedal 2 (middle) Pedal 3 (right)
606.3611.026	F3-U1Z/U1Z/U1Z UN	1NC / 1NO 1NC / 1NO 1NC / 1NO

Mouser Electronics

Authorized Distributor

Click to View Pricing, Inventory, Delivery & Lifecycle Information:

[Altech:](#)

[616.3444.577](#) [606.3833.045](#) [606.3111.025](#) [606.3611.026](#)