

PLEASE CHECK WWW.MOLEX.COM FOR LATEST PART INFORMATION

Part Number: [0025022060](#)
Status: **Active**
Overview: [C-Grid Connector Products](#)
Description: 2.54mm Pitch C-Grid Header, Dual Row, Shrouded, with PC Slot and Guide Ear, 60 Circuits, Tin (Sn) Plating

Documents:

[3D Model](#) [Packaging Specification PK-70873-0070-001 \(PDF\)](#)
[Drawing \(PDF\)](#) [RoHS Certificate of Compliance \(PDF\)](#)
[Product Specification PS-70204-001 \(PDF\)](#)

Agency Certification

CSA LR19980
 UL E29179

General

Product Family PCB Headers
 Series [70204](#)
 Application Board-to-Board, Signal
 Overview [C-Grid Connector Products](#)
 Product Name C-Grid
 UPC 800753780576

Physical

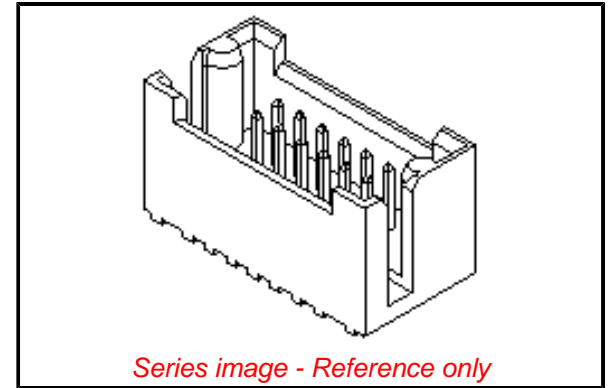
Breakaway No
 Circuits (Loaded) 60
 Circuits (maximum) 60
 Durability (mating cycles max) 25
 Flammability 94V-0
 Glow-Wire Capable No
 Guide to Mating Part Yes
 Lock to Mating Part None
 Material - Plating Mating Tin
 Material - Plating Termination Tin
 Net Weight 11.072/g
 Number of Rows 2
 Orientation Vertical
 PC Tail Length 2.79mm
 PCB Locator No
 PCB Retention None
 Packaging Type Tray
 Pitch - Mating Interface 2.54mm
 Plating min - Mating 3.810µm
 Plating min - Termination 3.810µm
 Polarized to Mating Part Yes
 Polarized to PCB No
 Shrouded Fully
 Stackable No
 Temperature Range - Operating -40° to +105°C
 Termination Interface: Style Through Hole

Electrical

Current - Maximum per Contact 3.0A
 Voltage - Maximum 250V

Solder Process Data

Lead-freeProcess Capability WAVE



EU ELV

Not Relevant

EU RoHS

Not Reviewed

REACH SVHC

Not Reviewed

Halogen-Free

Status

Not Reviewed

For more information, please visit [Contact US](#)

China ROHS

Not Reviewed

ELV

Not Relevant

RoHS Phthalates

Not Reviewed

Search Parts in this Series

[70204 Series](#)

Mates With

[71973](#)

Material Info

Engineering Number

A-70204-0413

Reference - Drawing Numbers

Packaging Specification

PK-70873-0070-001

Product Specification

PS-70204-001

Sales Drawing

SDA-70204-0385-0448

This document was generated on 04/02/2019

PLEASE CHECK WWW.MOLEX.COM FOR LATEST PART INFORMATION

Mouser Electronics

Authorized Distributor

Click to View Pricing, Inventory, Delivery & Lifecycle Information:

[Molex:](#)

[25-02-2060](#)