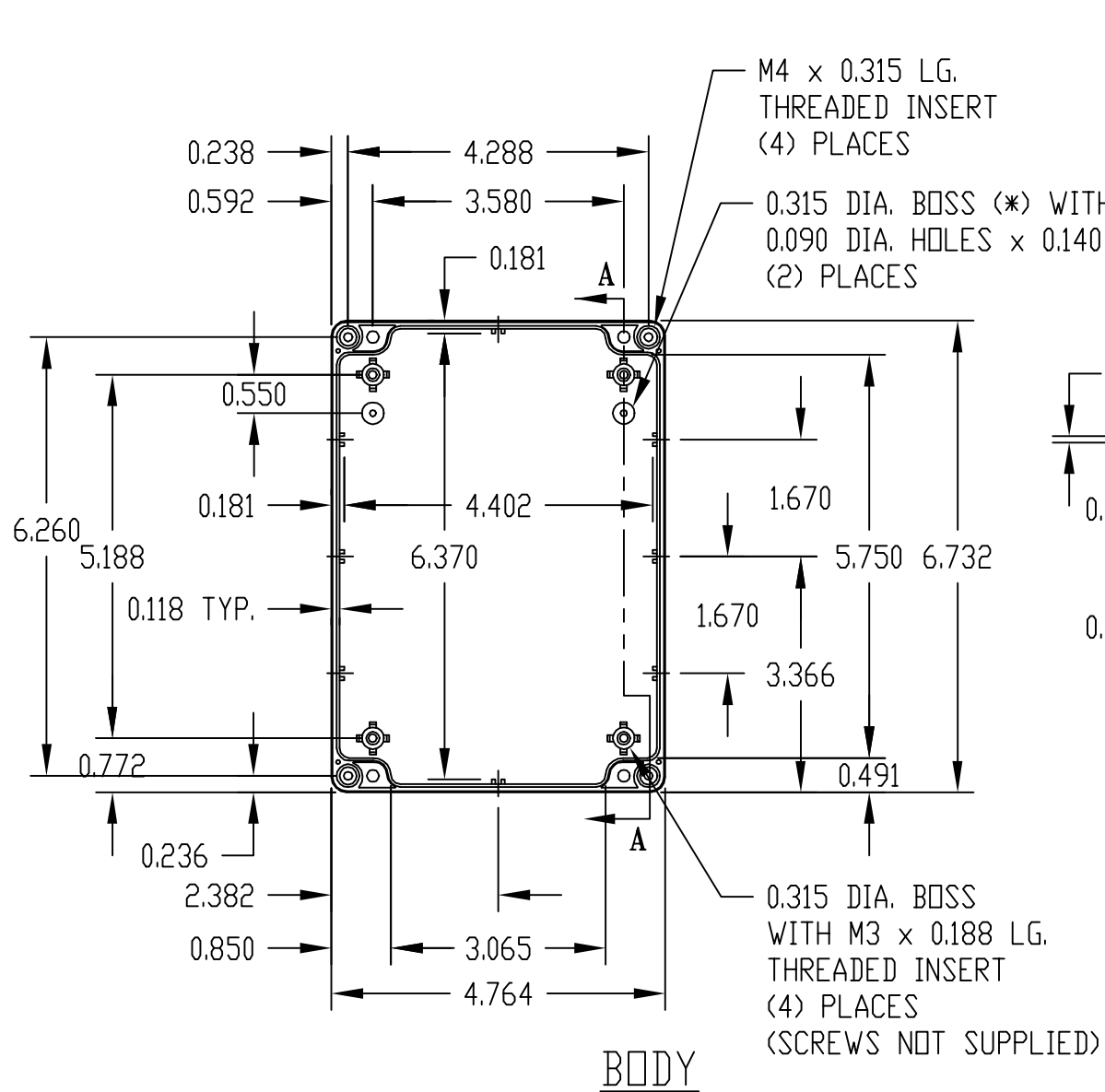


PART NAME	NEMA 4X ENCLOSURE	PART No.	PN-1324, PN-1324-C AND PN-1324-DG	REV. DATE	8-9-11
-----------	-------------------	----------	-----------------------------------	-----------	--------

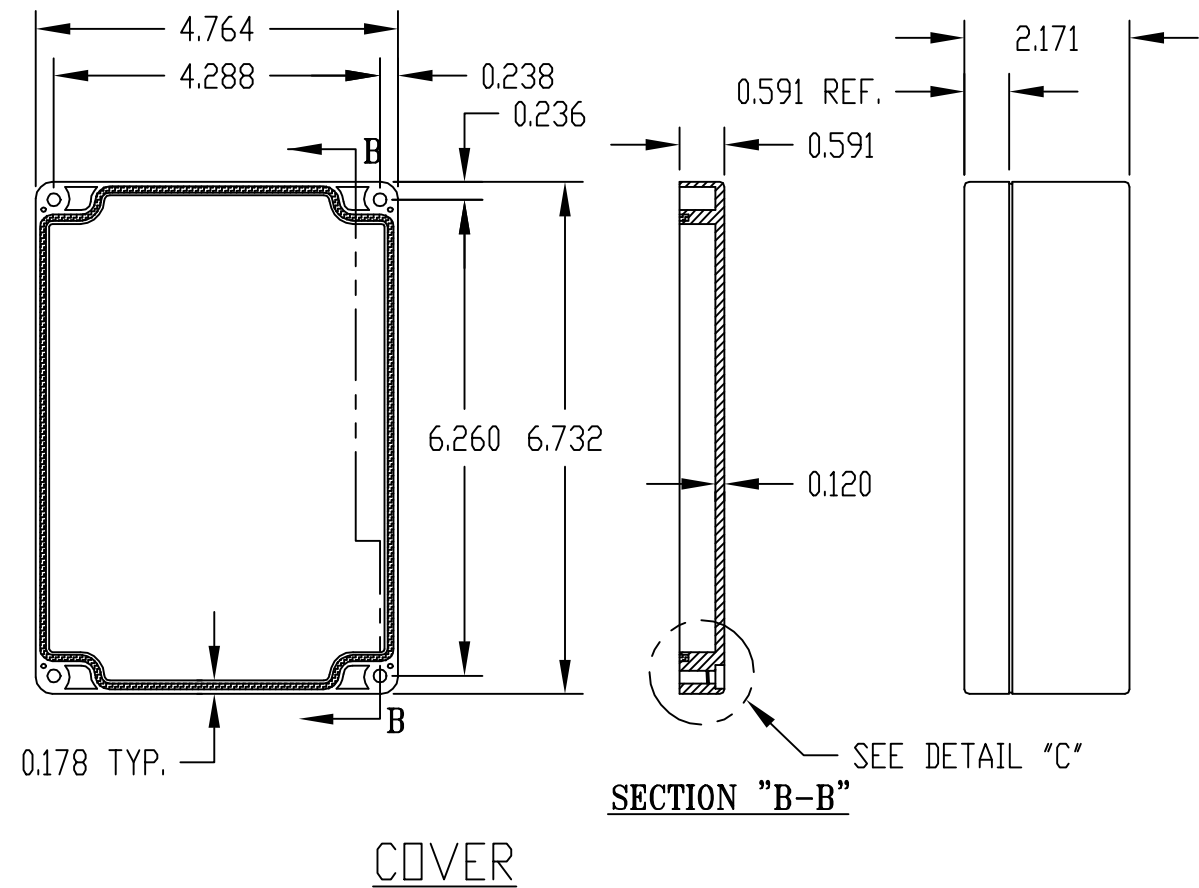
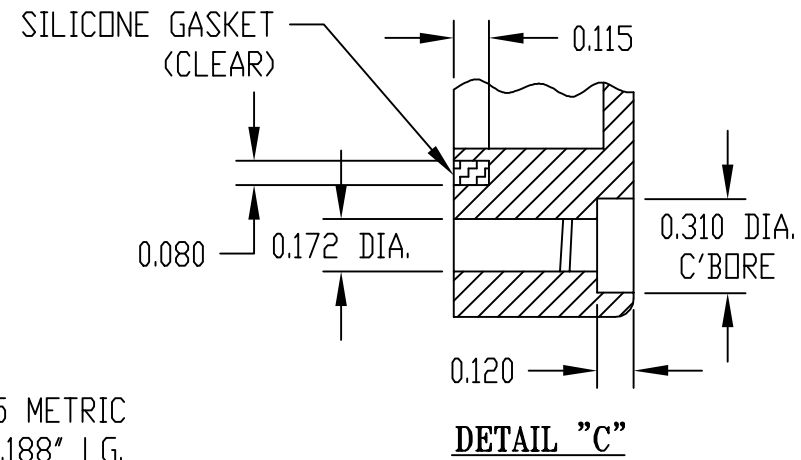
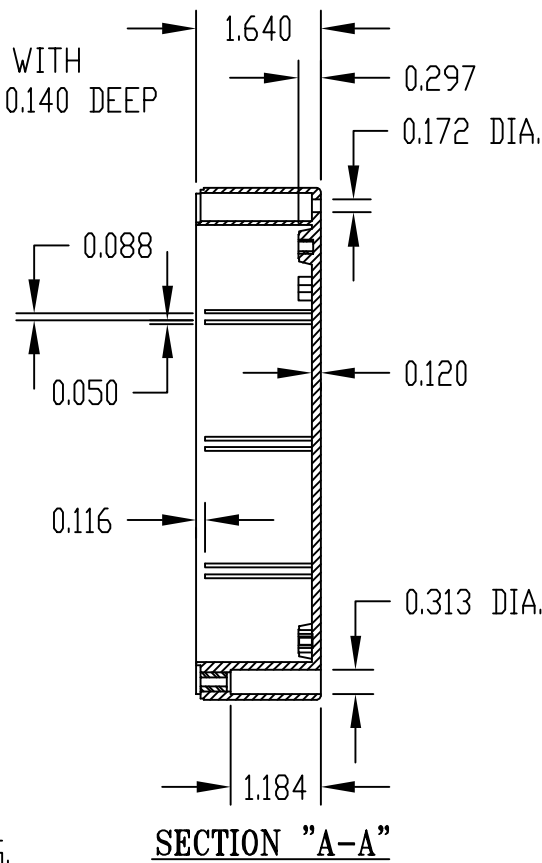
INDUSTRY STANDARDS:

POLYCARBONATE (LIGHT GRAY AND CLEAR)
 UL94-HB FLAMMABILITY RATING (UL FILE #E41613)
 UV STABILIZED
 SERVICE TEMPERATURE RANGE: -40°C TO +120°C

ABS (DARK GRAY)
 UL94-HB FLAMMABILITY RATING (UL FILE #E56070)
 SERVICE TEMPERATURE RANGE: -40°C TO +80°C



(*) MOUNTING BOSSES USE EITHER M2.5 METRIC OR #4 STD. SHEET METAL SCREWS x 0.188" LG. (NOT SUPPLIED)



NOTE: ALL DIMENSIONS HAVE ±0.015 TOLERANCE UNLESS OTHERWISE SPECIFIED.

PART NUMBER	MATERIAL		FINISH		HARDWARE KIT
	BODY	COVER	BODY	COVER	
PN-1324	POLYCARBONATE		LIGHT GRAY		KIT CONTAINS (4) M4 x 20mm (0.787") LG. SCREWS FOR ASSEMBLY
PN-1324-C	POLYCARBONATE		LIGHT GRAY	CLEAR	
PN-1324-DG	HIGH-IMPACT ABS		DARK GRAY		

Mouser Electronics

Authorized Distributor

Click to View Pricing, Inventory, Delivery & Lifecycle Information:

Bud Industries:

[PN-1324 UNSHLD MODIFY PER 402-0754-03](#) [PN-1324 SHIELDED MODIFY PER 402-0754-03](#) [PN-1324-C](#) [PN-1324](#) [PN-1324-DG](#) [1324CCOVER](#) [1324CC](#)