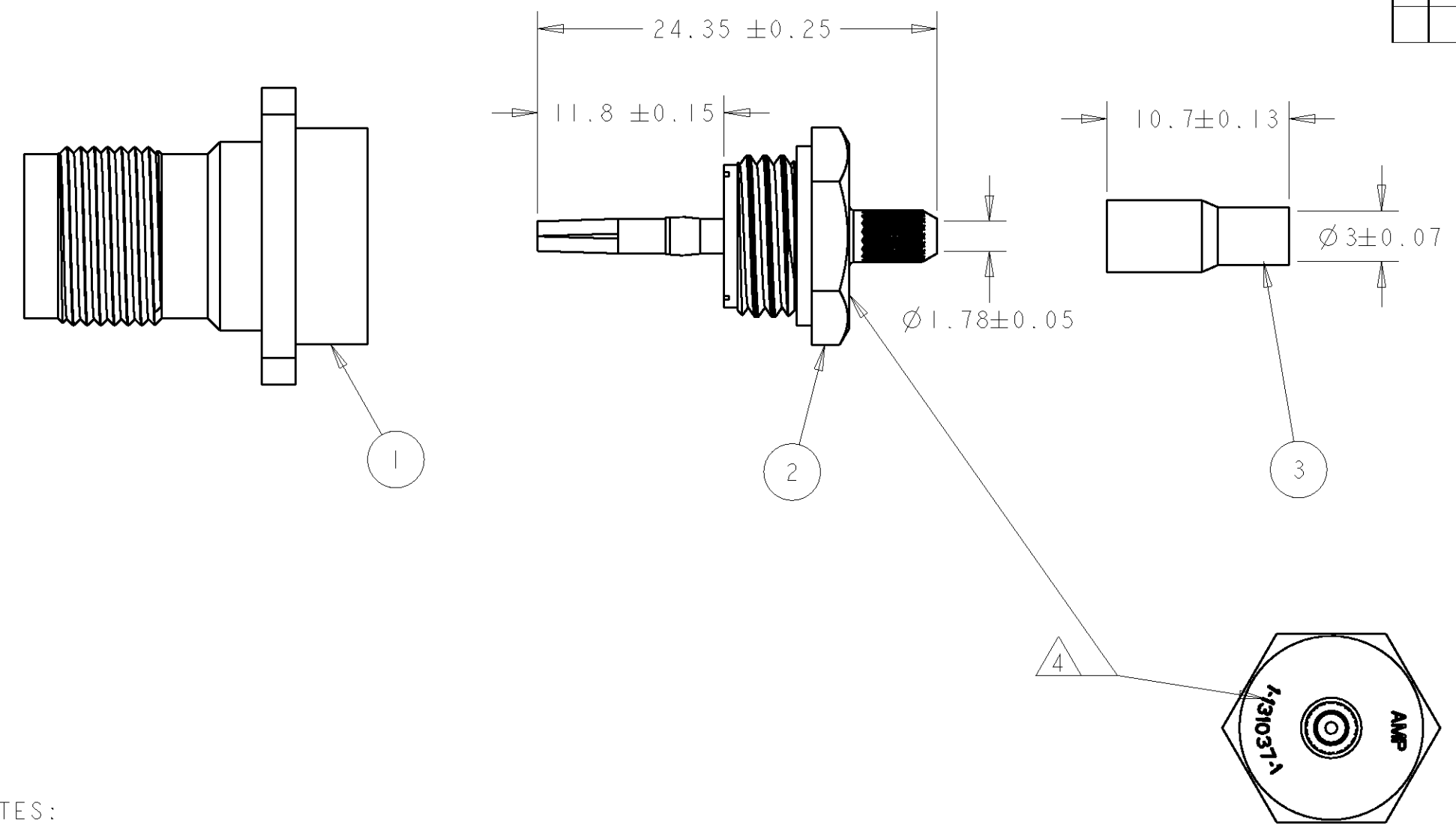
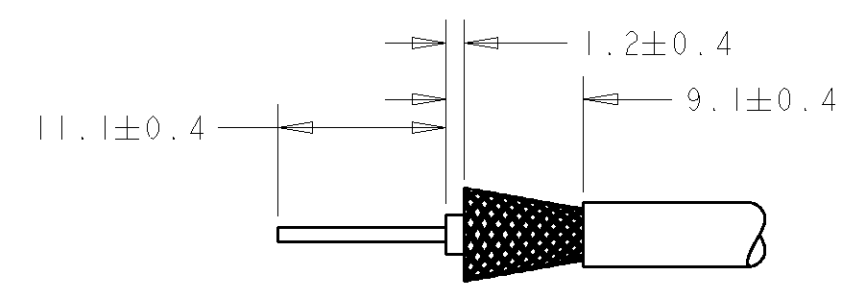


THIS DRAWING IS UNPUBLISHED. RELEASED FOR PUBLICATION 20
 © COPYRIGHT 20 BY TYCO ELECTRONICS CORPORATION. ALL RIGHTS RESERVED.

| LOC | DIST | REVISIONS | | | |
|-----|------|-------------|-------------|----------|--------|
| P | LTR | DESCRIPTION | DATE | DWN | APVD |
| B | E | A | FIRST ISSUE | 18/06/08 | MJG JA |
| | | | | | |
| | | | | | |



RECOMMENDED CABLE PREPARATION
 DENUDAGE RECOMMANDE



NOTES:

- FOR USE WITH RG174, RG188, KX3 & KX22 CABLE
 UTILISER AVEC CABLE RG174, RG188, KX3, KX22
 - CRIMP WITH HAND TOOL Pt No 476408 OR 69710-1 + INSET 476410
 PINCE A SERTIR REF: 476408 ou 69710-1 + MATRICE 476410
 - INSTRUCTION SHEET 408-1799-1
 INSTRUCTION DE SERTISSAGE: 408-1799-1
- △ 4 PART NO FOR CONTACT SUB ASSEMBLY (1-131037-1)

| | | | |
|--------|--------|-----------------|------|
| | 1 | FERRULE | 3 |
| | 1 | CONTACT ASSY | 2 |
| | 1 | PANEL JACK ASSY | 1 |
| 131197 | QTY -1 | DESCRIPTION | ITEM |

| | | | | | |
|---|--|---|--|---|--|
| <small>THIS DRAWING IS A CONTROLLED DOCUMENT FOR TYCO ELECTRONICS CORPORATION IT IS SUBJECT TO CHANGE AND THE CONTROLLING ENGINEERING ORGANIZATION SHOULD BE CONTACTED FOR THE LATEST REVISION.</small> | | DWN M.GREENER 18JUN2008 CHK J.AMBROSE 18JUN2008 APVD J.AMBROSE 18JUN2008 | | Tyco Electronics UK Ltd. Bideford, North Devon, EX39 4HE | |
| DIMENSIONS: mm | | TOLERANCES UNLESS OTHERWISE SPECIFIED: 0 PLC ±0.5 1 PLC ±0.5 2 PLC ±0.5 3 PLC ±0.5 4 PLC ±0.5 ANGLES ±0.5 | | NAME PANEL JACK ASSEMBLY TNC SERIES | |
| MATERIAL FINISH - | | PRODUCT SPEC 108-12001 | | SIZE A300779 | |
| CUSTOMER DRAWING | | APPLICATION SPEC - | | DRAWING NO C-131197 | |
| WEIGHT - | | RESTRICTED TO | | SCALE NTS SHEET 1 OF 1 REV A | |

Mouser Electronics

Authorized Distributor

Click to View Pricing, Inventory, Delivery & Lifecycle Information:

[TE Connectivity:](#)

[131197](#)