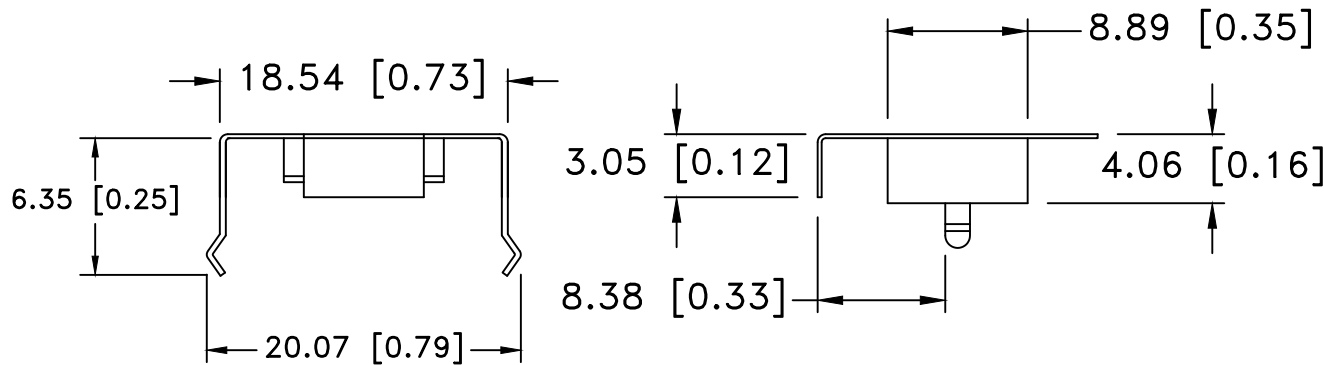
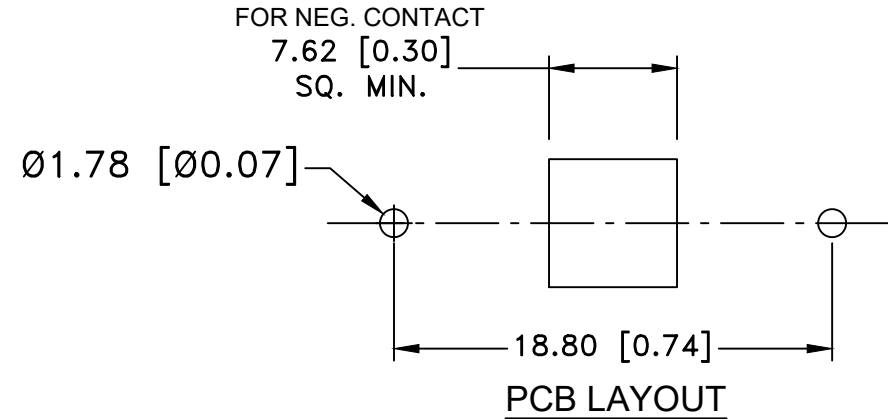
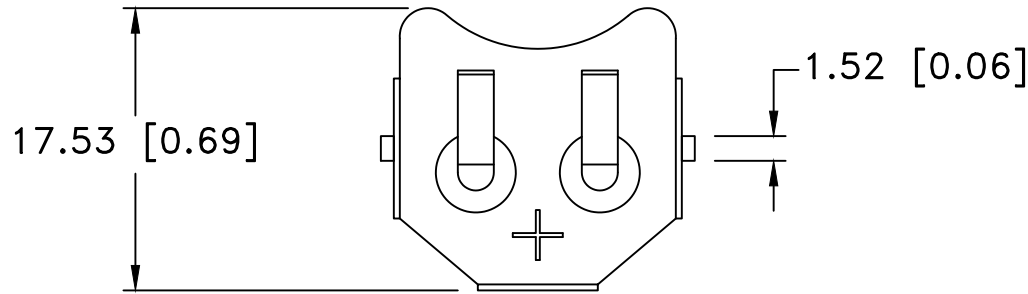



Date	SYM	REVISION RECORD	AUTH	DR.	CK.
8/01/14	D	Added Dim. 8.35 and 4.01	T.B.	B.S.	
11/07/19	E	Added weight of the part	T.B.	B.S.	



NOTES:

- MATERIAL:
0.25mm (0.010") PHOSPHOR BRONZE, NICKEL PLATED.
APPROXIMATE WEIGHT: 0.79g
ROHS COMPLIANT

Tolerance (Except as noted)	 Memory Protection Devices, Inc 200 Broad Hollow Road, Farmingdale, New York 11735		
decimal ±.5 (.020)		Scale	Drawn By B.S.
Fractional ± .8 (.030)	Title 16mm SURFACE MOUNT RETAINER		
Angular ± 3°	Date 11/07/19	Drawing Number BK-869	

CELL SIZE	RETAINS BATTERY NUMBERS
16mm	CR1616, CR1620, CR1632