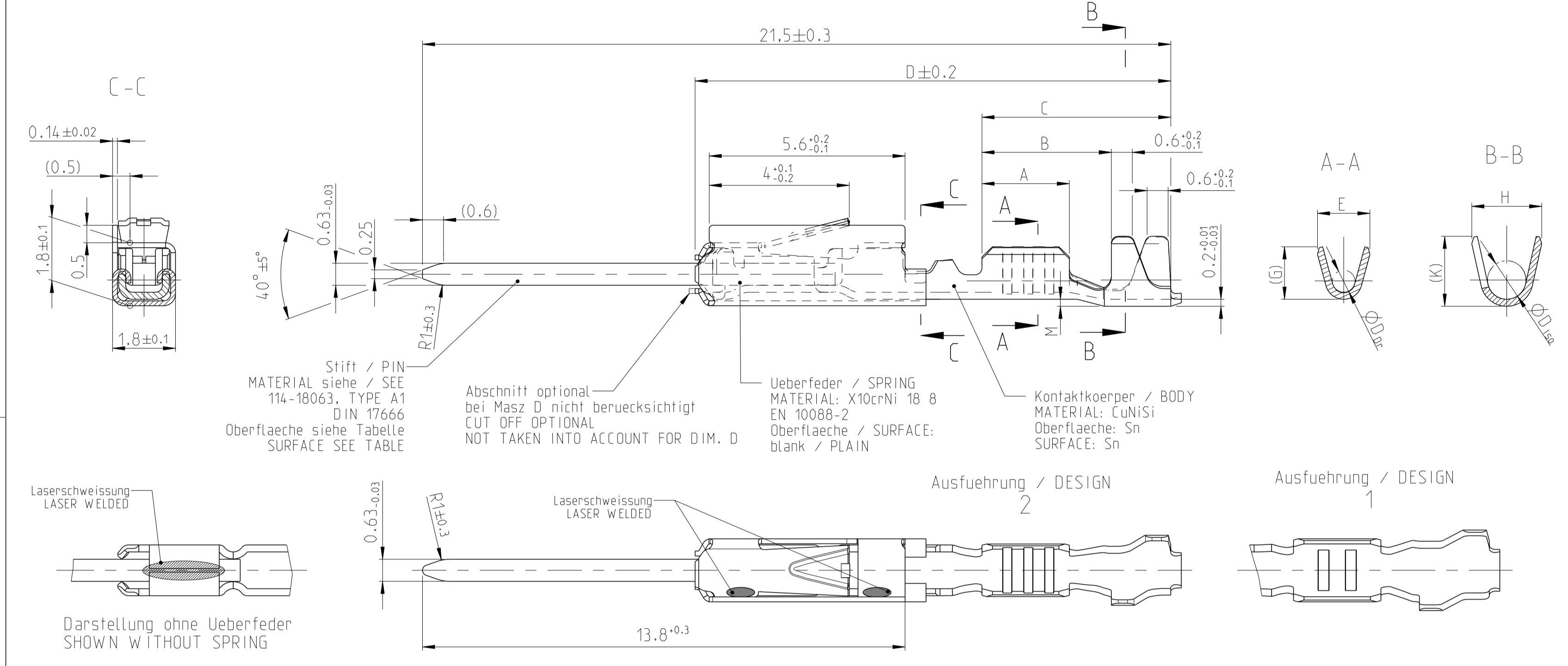
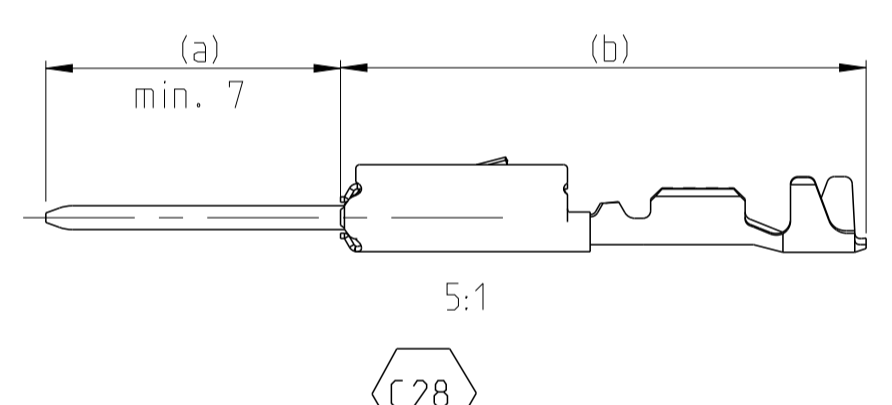


Normale Anwendung
 USUAL APPLICATION



Oberflaeche / FINISH



Sn: verzinnete Ausfuehrung
 TINNED
 (a) PIN: 0.8µm - 3.0µm Sn ueber/OVER 1.27µm - 3.0µm Ni
 (b) Kontaktkoerper/BODY: 0.8µm - 2.0µm Sn

Ag: versilbert
 SILVER
 (a) PIN: 2.0µm - 6.0µm Ag
 (b) Kontaktkoerper/BODY: 0.8µm - 2.0µm Sn

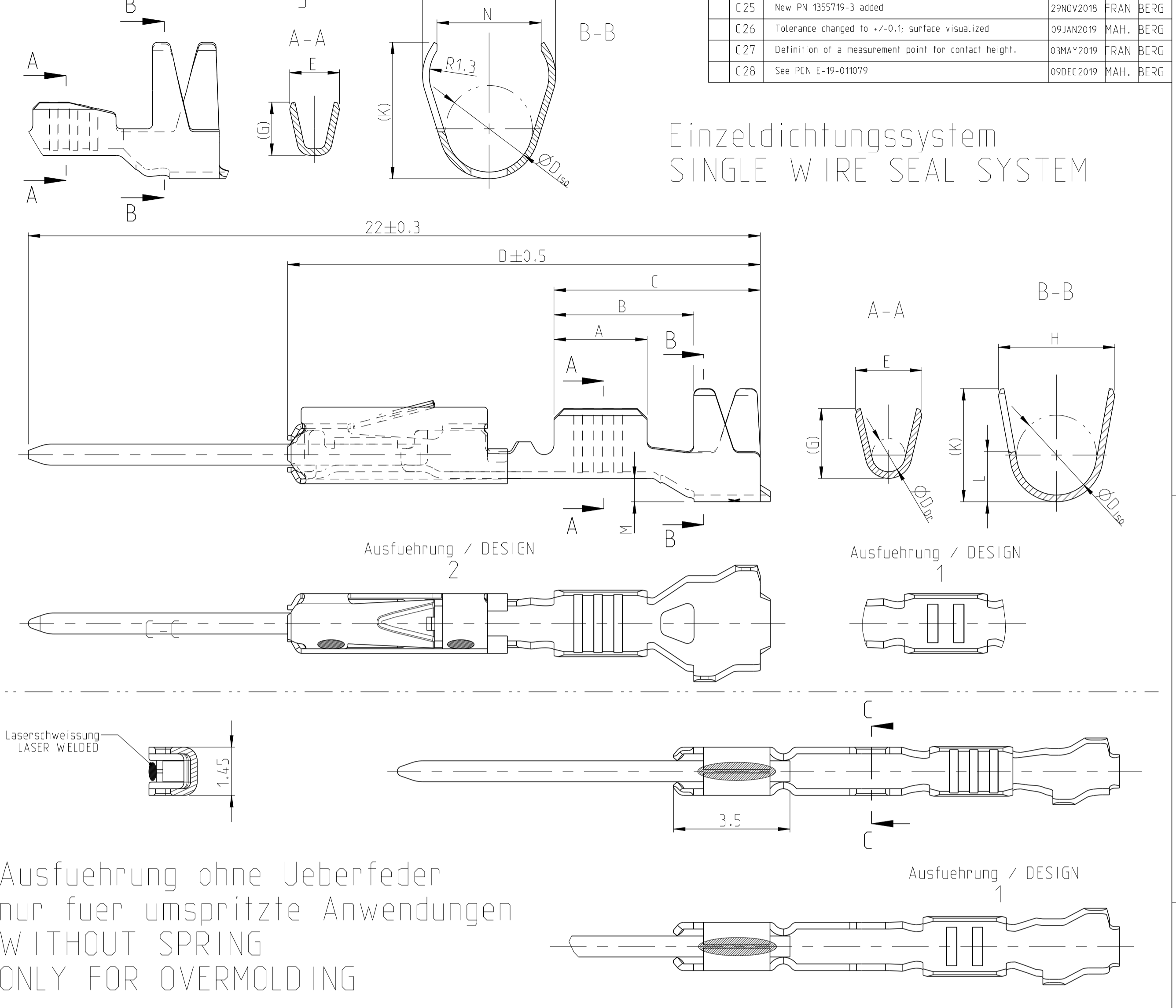
Au: vergoldet
 GOLD
 (a) PIN: min. 0.8µm Au ueber/OVER 1.0µm - 2.2µm Ni
 (b) Kontaktkoerper/BODY: 0.8µm - 2.0µm Sn

Part No.	Design	Material	Finish	Length	Weight	Wire Size	Surface	Length	Wire Crimp	Insulation	Weight	Blindstopfen	Blindstopfen
5-965908-3	A	Ag	A = 2.8, B = 4.2, C = 6.2, D = 14.3, M = 0.7	0.50-0.75	0.18	0.75	114-18025	0.75	1.4-1.9	967067-1	963142-1	schwarz BLACK	963143-1
5-965908-2	F	Au	A = 2.5, B = 3.9, C = 5.9, D = 14, M = 0.7	0.25-0.35	0.16	0.35	114-18025	0.35	0.9-1.4	967067-2	963142-2	grau GREY	963143-1
5-965908-1	D	Sn	A = 2.5, B = 4, C = 5.9, D = 13.9, M = 0.6	0.13/0.17	0.15	0.13	114-18021	0.13	0.85-1.25	967067-2	963142-2	grau GREY	963143-1
5-962886-3	A	Ag	A = 2.5, B = 3.8, C = 5.6, D = 13.65, M = 0.2	0.50-0.75	0.12	0.75	114-18025	0.75	1.4-1.9	967067-1	963142-1	schwarz BLACK	963143-1
5-962886-2	R	Au	A = 2.5, B = 3.6, C = 5.6, D = 13.65, M = 0.2	0.25-0.35	0.16	0.35	114-18021	0.35	0.9-1.4	967067-2	963142-2	grau GREY	963143-1
5-962886-1	N	Sn	A = 2.5, B = 3.6, C = 5.6, D = 13.65, M = 0.2	0.13/0.17	0.15	0.13	114-18021	0.13	0.85-1.25	967067-2	963142-2	grau GREY	963143-1
2141830-3	A	Ag	A = 2.5, B = 3.6, C = 5.6, D = 13.65, M = 0.2	0.50-0.75	0.12	0.75	114-18025	0.75	1.4-1.9	967067-1	963142-1	schwarz BLACK	963143-1
2141830-2	A	Au	A = 2.5, B = 3.6, C = 5.6, D = 13.65, M = 0.2	0.25-0.35	0.16	0.35	114-18021	0.35	0.9-1.4	967067-2	963142-2	grau GREY	963143-1
2141830-1	A	Sn	A = 2.5, B = 3.6, C = 5.6, D = 13.65, M = 0.2	0.13/0.17	0.15	0.13	114-18021	0.13	0.85-1.25	967067-2	963142-2	grau GREY	963143-1
6-963716-2	A	Au	A = 2.5, B = 3.7, C = 5.4, D = 13.65, M = 0	0.50-0.75	0.17	0.75	114-18025	0.75	1.4-1.9	967067-1	963142-1	schwarz BLACK	963143-1
6-963716-1	A	Sn	A = 2.5, B = 3.7, C = 5.4, D = 13.65, M = 0	0.25-0.35	0.16	0.35	114-18021	0.35	0.9-1.4	967067-2	963142-2	grau GREY	963143-1
5-963716-3	A	Ag	A = 2.5, B = 3.6, C = 5.6, D = 13.65, M = 0.2	0.50-0.75	0.12	0.75	114-18025	0.75	1.4-1.9	967067-1	963142-1	schwarz BLACK	963143-1
5-963716-2	Z	Au	A = 2.5, B = 3.6, C = 5.6, D = 13.65, M = 0.2	0.25-0.35	0.16	0.35	114-18021	0.35	0.9-1.4	967067-2	963142-2	grau GREY	963143-1
5-963716-1	W	Sn	A = 2.5, B = 3.6, C = 5.6, D = 13.65, M = 0.2	0.13/0.17	0.15	0.13	114-18021	0.13	0.85-1.25	967067-2	963142-2	grau GREY	963143-1
6-928918-3	Z	Ag	A = 2.5, B = 3.6, C = 5.6, D = 13.65, M = 0.2	0.50-0.75	0.12	0.75	114-18025	0.75	1.4-1.9	967067-1	963142-1	schwarz BLACK	963143-1
6-928918-2	A	Au	A = 2.5, B = 3.6, C = 5.6, D = 13.65, M = 0.2	0.25-0.35	0.16	0.35	114-18021	0.35	0.9-1.4	967067-2	963142-2	grau GREY	963143-1
6-928918-1	W	Sn	A = 2.5, B = 3.6, C = 5.6, D = 13.65, M = 0.2	0.13/0.17	0.15	0.13	114-18021	0.13	0.85-1.25	967067-2	963142-2	grau GREY	963143-1
5-928918-2	A	Ag	A = 2.5, B = 3.6, C = 5.6, D = 13.65, M = 0.2	0.50-0.75	0.12	0.75	114-18025	0.75	1.4-1.9	967067-1	963142-1	schwarz BLACK	963143-1
5-928918-1	W	Sn	A = 2.5, B = 3.6, C = 5.6, D = 13.65, M = 0.2	0.13/0.17	0.15	0.13	114-18021	0.13	0.85-1.25	967067-2	963142-2	grau GREY	963143-1
2141828-3	A	Ag	A = 2.5, B = 3.6, C = 5.6, D = 13.65, M = 0.2	0.50-0.75	0.12	0.75	114-18025	0.75	1.4-1.9	967067-1	963142-1	schwarz BLACK	963143-1
2141828-2	A	Au	A = 2.5, B = 3.6, C = 5.6, D = 13.65, M = 0.2	0.25-0.35	0.16	0.35	114-18021	0.35	0.9-1.4	967067-2	963142-2	grau GREY	963143-1
2141828-1	A	Sn	A = 2.5, B = 3.6, C = 5.6, D = 13.65, M = 0.2	0.13/0.17	0.15	0.13	114-18021	0.13	0.85-1.25	967067-2	963142-2	grau GREY	963143-1
1355719-3	A	Ag	A = 2.5, B = 3.6, C = 5.6, D = 13.65, M = 0.2	0.50-0.75	0.12	0.75	114-18025	0.75	1.4-1.9	967067-1	963142-1	schwarz BLACK	963143-1
1355719-2	A	Au	A = 2.5, B = 3.6, C = 5.6, D = 13.65, M = 0.2	0.25-0.35	0.16	0.35	114-18021	0.35	0.9-1.4	967067-2	963142-2	grau GREY	963143-1
1355719-1	C	Sn	A = 2.5, B = 3.6, C = 5.6, D = 13.65, M = 0.2	0.13/0.17	0.15	0.13	114-18021	0.13	0.85-1.25	967067-2	963142-2	grau GREY	963143-1

Bestell-Nr. Ausfuehrung ORDER NO. DESIGN	Bestell-Nr. Ausfuehrung ORDER NO. DESIGN	Rev.	Bestell-Nr. Ausfuehrung ORDER NO. DESIGN	Rev.	Ueberfeder vorhanden SPRING AVAILABLE	VERSION	DGB Wire Size Range mm ²	Oberflaeche SURFACE	Laenge LENGTH mm	Drahtcrimp WIRE CRIMP mm	Iso-crimp INSU-CRIMP mm	Gewicht WEIGHT g	Verarbeitung Spez. APPLICATION SPEC.	DGB Wire Size Range mm ²	Isolations INSULATION DIA. mm	fuer Kammer FOR CAVITY DIA. 3.45 mm	Blindstopfen RUBBER PLUG	fuer Kammer FOR CAVITY DIA. 4 mm	Blindstopfen RUBBER PLUG
2	3		1			normale Anwendung USUAL APPLICATION	0.50-0.75	Ag, Au, Sn	21.5±0.3	5.6-8.1	4-8.1	0.6±0.1	114-18025	0.75, 0.5, 0.35, 0.2, 0.13, 0.17	3.45	967067-1, 967067-2	963142-1, 963142-2	963143-1	

zugehoerige Einzeldichtung / SUITABLE SINGLE WIRE SEAL

Ausfuehrung / DESIGN

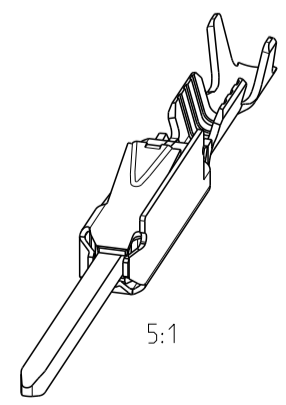
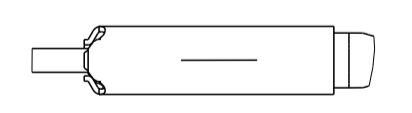


LOC	DIST	REV	DATE	BY	APPV
A1	-	C25	29NOV2018	FRAN	BERG
		C26	09JAN2019	MAH	BERG
		C27	03MAY2019	FRAN	BERG
		C28	09DEC2019	MAH	BERG

Einzeldichtungssystem
 SINGLE WIRE SEAL SYSTEM

NOTES

- Bemerkungen
- Datumcode (Woche/Jahr z.B. KW 38/Jahr2009) und TE-Revision (z.B. Rev. A) DATE CODE (WEEK/YEAR E.G. WEEK NUMBER 38/YEAR2009) AND TE REVISION (E.G. REV. A)
 - Passend zu Buchsenkontakt siehe Zeichnung 929454 SUITABLE FOR SOCKET CONTACT SEE DRAWING 929454
 - Einzelheiten der Ausfuehrung bleiben dem Hersteller ueberlassen DETAILS OF DESIGN ARE LEFT TO MANUFACTURER
 - Nur fuer FLR-Leitung nach DIN 72551 Teil 6 FOR FLR-CONDUCTOR ACCORDING TO DIN 72551-6 ONLY
 - nicht fuer Neuanwendung NOT FOR NEW APPLICATION
 - zugverstaerkte Leitung nach LV 112-4 REINFORCED WIRE ACCORDING LV 112-4
 - Bei doppelt fallenden Werkzeugen wird die erste Ueberfeder mit einer Kennzeichnung "-" versehen WITH DOUBLE OUT DIES THE FIRST SPRING WILL BE PROVIDED WITH AN INDICATION "-"
 - Varianten von Design1 werden durch die entsprechenden Versionen von Design2 ersetzt VARIANTS OF DESIGN1 ARE SUPERSEDED BY CORRESPONDING VERSIONS OF DESIGN2



DIMENSIONS:		TOLERANCES UNLESS OTHERWISE SPECIFIED:		NAME	RESTRICTED TO
mm	±0.2	mm	±0.2	MOS Tabellenzzeichnung Stiftkontakt TABLE PIN CONTACT	
MATERIAL:		WEIGHT:		SIZE: A1 00779	SCALE: 10:1
				CAGE CODE: 929453	SHEET: 1 OF 1
				CUSTOMER DRAWING	REV: C28