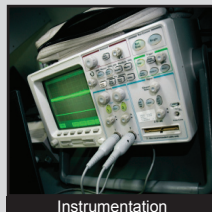
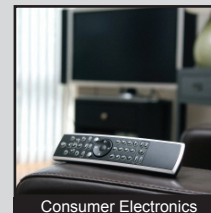
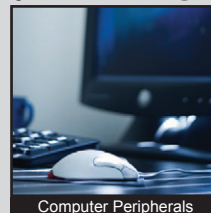


TL6215 SERIES TACT SWITCH

ANTI-VANDAL SWITCHES
 DETECTOR SWITCHES
 DIP SWITCHES
 KEYLOCK SWITCHES
 NAVIGATION SWITCHES
 PUSHBUTTON SWITCHES
 ROCKER SWITCHES
 ROTARY SWITCHES
 SLIDE SWITCHES
 SNAP ACTION SWITCHES
TACTILE SWITCHES
 TOGGLE SWITCHES
 CAP OPTIONS



APPLICATIONS / MARKETS



RoHS

SPECIFICATIONS

Electrical Rating: 50mA @ 12VDC
Electrical Life: 500,000 Cycles
Mechanical Life: 500,000 Cycles
Contact Resistance: 100mΩ Max.
Insulation Resistance: 100M Ω Min. at 500VDC
Dielectric Strength: 250VAC for 1 min.
Operating Temperature: -20°C to 70°C
Storage Temperature: -20°C to 70°C
Operating Force: 200 gf; 450 gf
Travel: 0.45mm
Dust/Moisture Protection: IP67
Contact Arrangement: SPST

FEATURES & BENEFITS

- Illumination options
- Right angle or vertical thru hole mount
- IP67 ratings
- Multiple cap options

PART NUMBER CONFIGURATOR

| Series | Model | Termination Type | Actuation Force | LED Color | Cap Option* | Cap Color** |
|---------------------------------|-----------------------------------|--|---|---|---|--|
| <input type="text" value="TL"/> | <input type="text" value="6215"/> | <input type="text" value="V"/> | <input type="text" value="F200"/> <input type="text" value="F450"/> | <input type="text" value="N"/> | <input type="text" value="N"/> | <input type="text" value="N"/> |
| | | V - Vertical Thru Hole R - Right Angle Thru Hole* | F200 - 200 gf F450 - 450 gf | N - None R - Red G - Green B - Blue Y - Yellow W - White | N - No Cap B - B Style Cap D - D Style Cap* E - E Style Cap G - G Style Cap | N - No Cap T - Transparent K - Black** S - Silver** |

* Right Angle option with cap is only available with "D" Cap
 ** K and S cap colors are opaque unless a laser etch graphic is created on the top surface

Specifications subject to change without notice



E-SWITCH®

www.e-switch.com

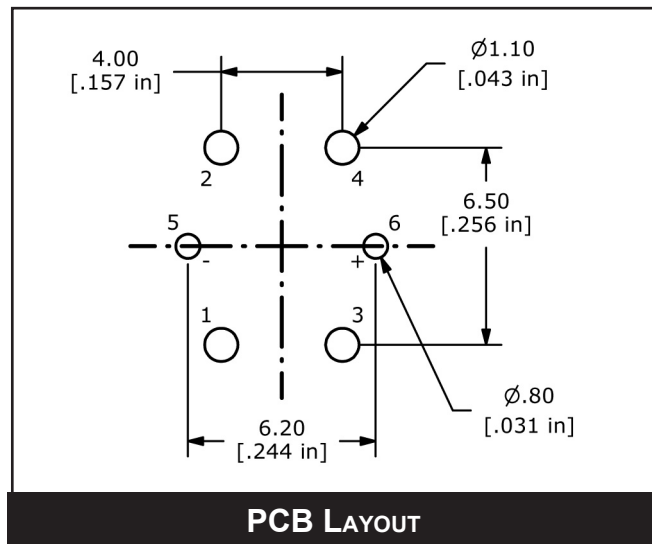
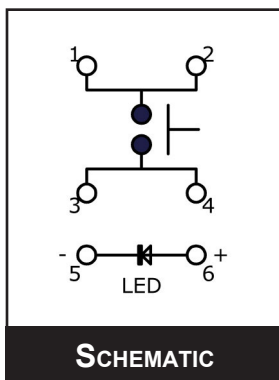
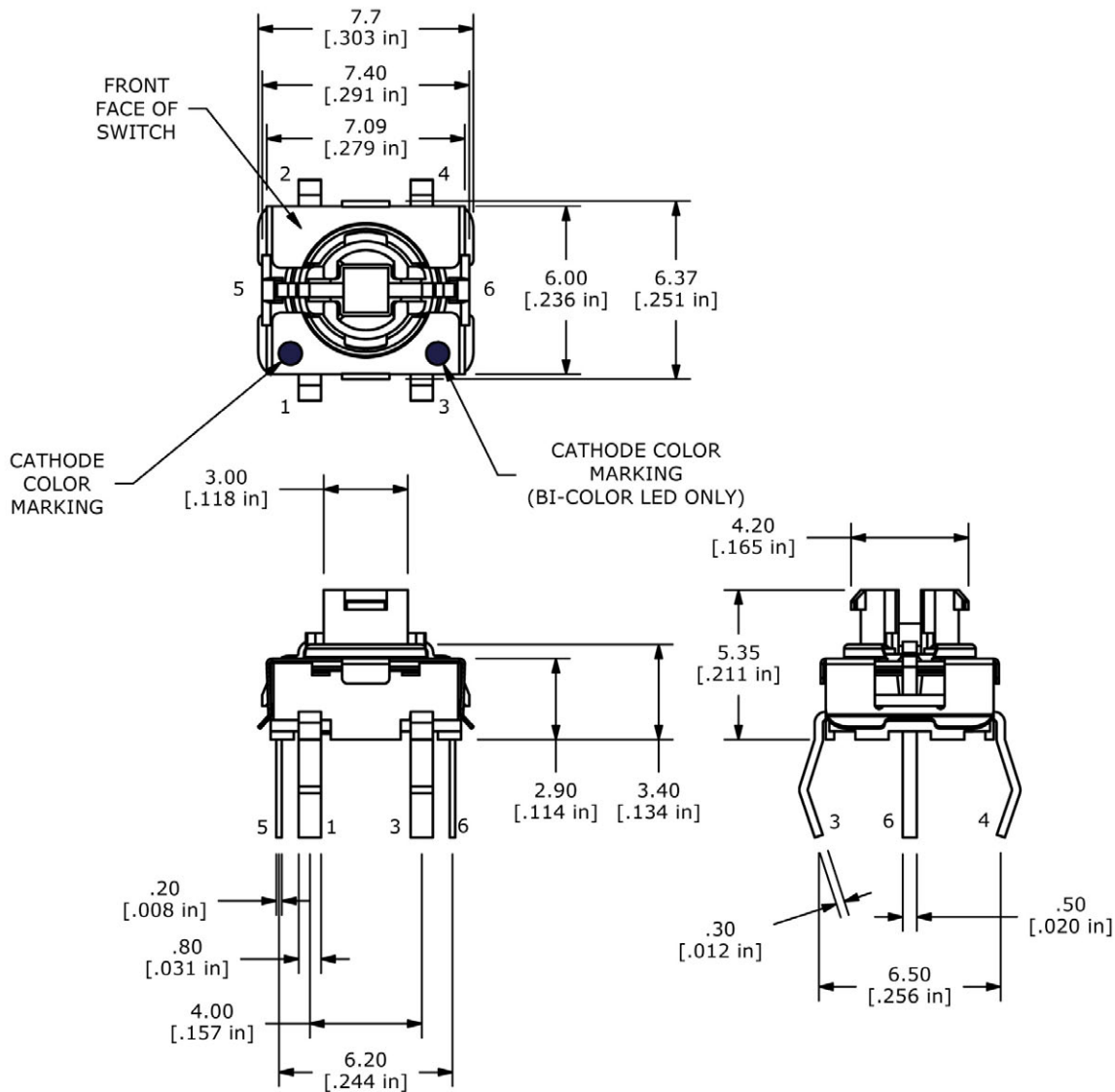
800.867.2717

2

TL6215 SERIES TACT SWITCH

BODY DIMENSIONS

VERTICAL

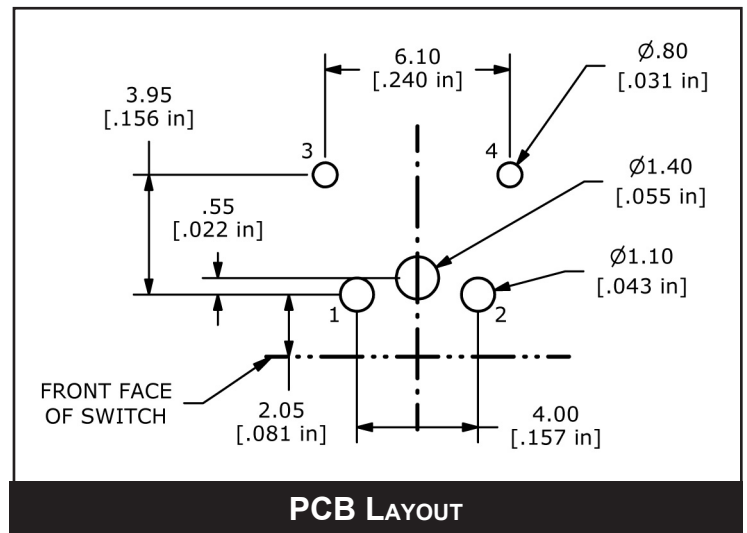
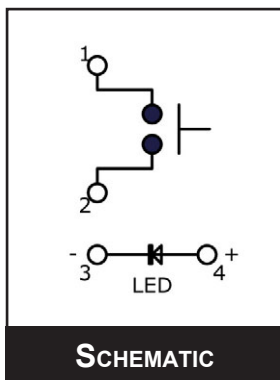
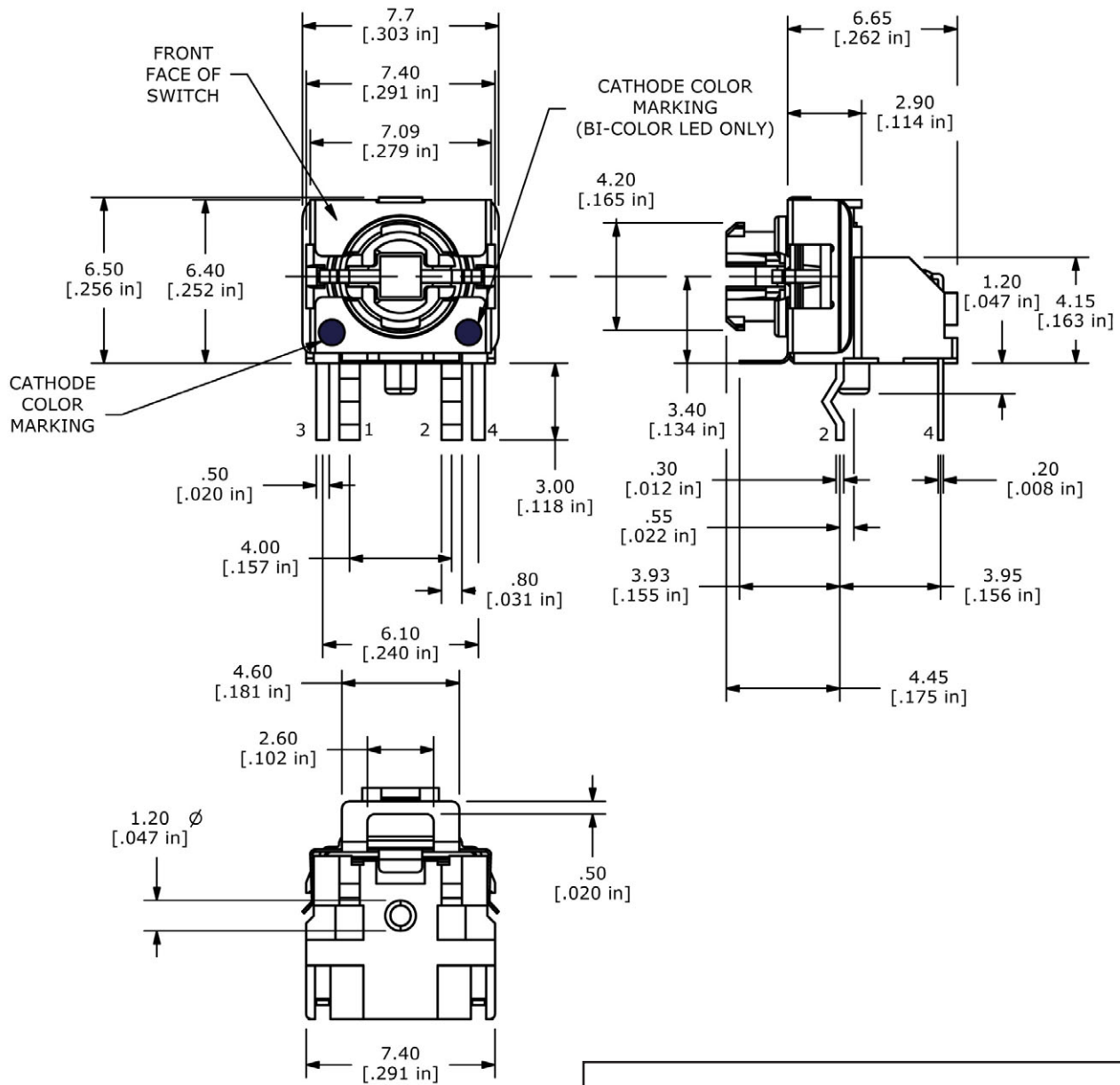


- ANTI-VANDAL SWITCHES
- DETECTOR SWITCHES
- SWITCHES
- DIP SWITCHES
- KEYLOCK SWITCHES
- NAVIGATION SWITCHES
- PUSHBUTTON SWITCHES
- ROCKER SWITCHES
- ROTARY SWITCHES
- SLIDE SWITCHES
- SNAP ACTION SWITCHES
- TACTILE SWITCHES**
- TOGGLE SWITCHES
- CAP OPTIONS



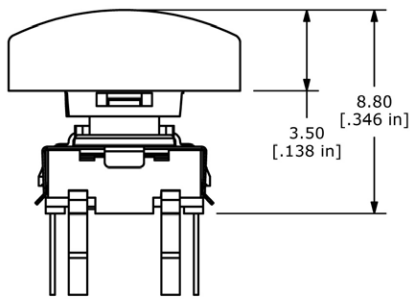
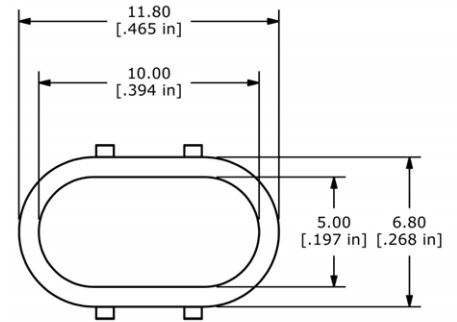
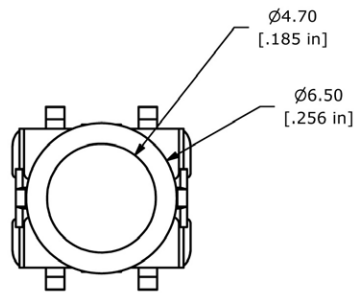
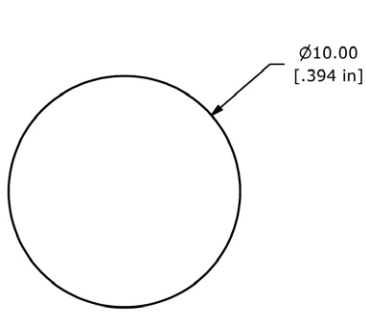
TL6215 SERIES TACT SWITCH

BODY DIMENSIONS RIGHT ANGLE

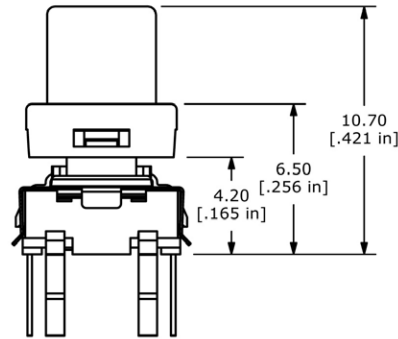


TL6215 SERIES TACT SWITCH

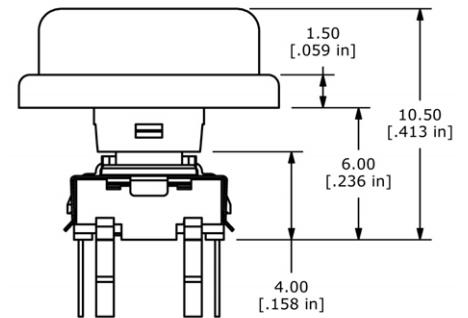
CAP OPTIONS



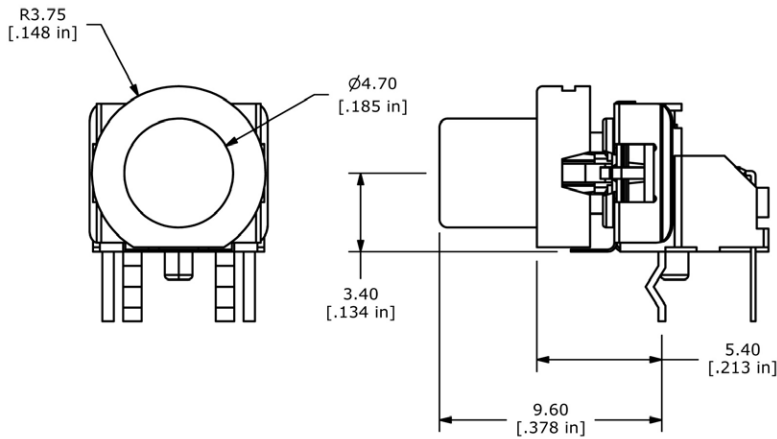
B Cap Option



E Cap Option



G Cap Option



D Cap Option

| LED CHART | | | |
|-----------|-----------------|-----------------|----------------------|
| COLOR | FORWARD CURRENT | FORWARD VOLTAGE | ILLUMINOUS INTENSITY |
| BLUE | 20mA | 3.3 V TYP | 80mcd TYP |
| GREEN | 20mA | 2.1 V TYP | 50mcd TYP |
| RED | 20mA | 1.95 V TYP | 220mcd TYP |
| YELLOW | 20mA | 2.0 V TYP | 180mcd TYP |
| WHITE | 20mA | 3.0V TYP | 450mcd TYP |



ANTI-VANDAL SWITCHES
 DETECTOR SWITCHES
 DIP SWITCHES
 KEYLOCK SWITCHES
 NAVIGATION SWITCHES
 PUSHBUTTON SWITCHES
 ROTARY SWITCHES
 SLIDE SWITCHES
 SNAP ACTION SWITCHES
 TACTILE SWITCHES
 TOGGLE SWITCHES
 CAP OPTIONS

Mouser Electronics

Authorized Distributor

Click to View Pricing, Inventory, Delivery & Lifecycle Information:

E-Switch:

[TL6215VF200BET](#) [TL6215RF200GDT](#) [TL6215VF200BGT](#) [TL6215VF200GBT](#) [TL6215VF450RNN](#)
[TL6215VF200GGT](#) [TL6215RF200RDT](#) [TL6215RF200BDT](#) [TL6215VF200RBT](#) [TL6215VF200RGT](#) [TL6215VF450BNN](#)
[TL6215VF200RET](#) [TL6215VF200BNN](#) [TL6215VF200GET](#) [TL6215VF450GNN](#) [TL6215VF200RNN](#)
[TL6215VF200BBT](#) [TL6215VF200GNN](#)