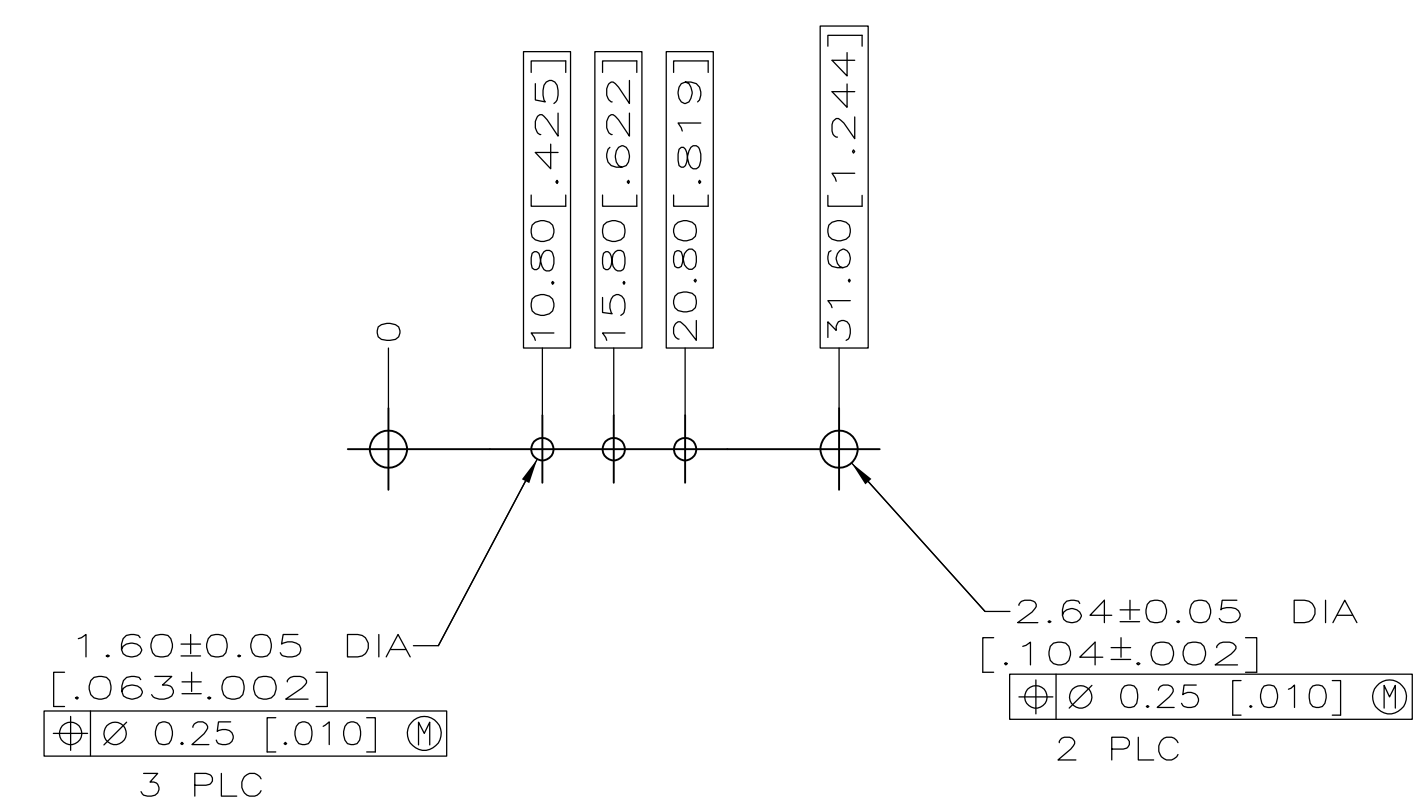
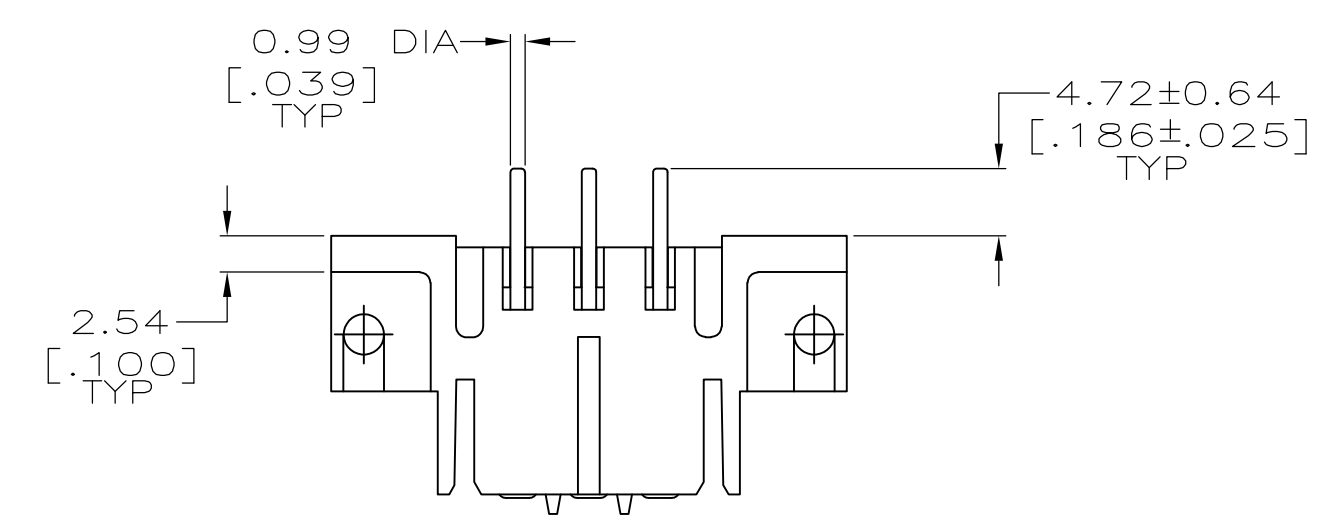
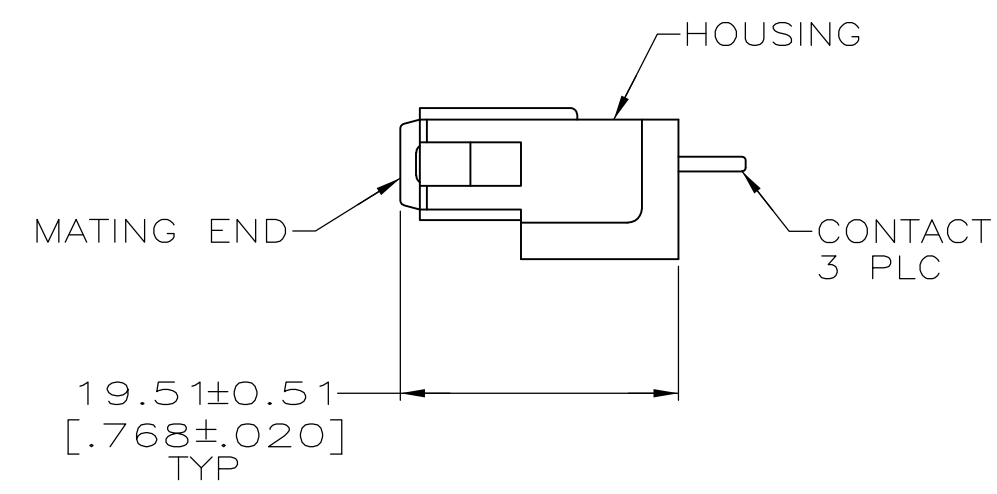
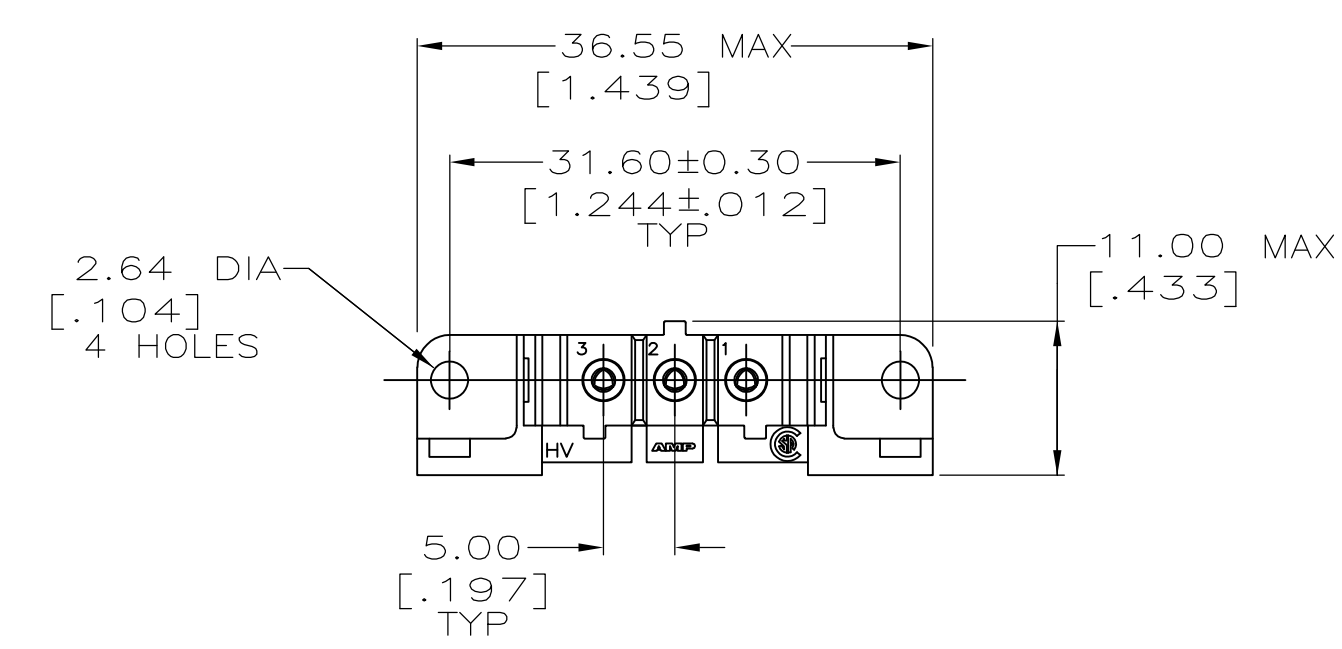


LOC	DIST	REVISIONS			
P	LTR	DESCRIPTION	DATE	OWN	APVD
FT	0	J2	REVISED PER ECO-11-010839	25MAY11	RK HMR



RECOMMENDED PC BOARD LAYOUT



- ① NYLON, RED.
- ② PHOSPHOR BRONZE.
- ③ 3.81um [.000150] MIN TIN-LEAD OVER 1.27um [.000050] MIN NICKEL.
- ④ 0.76um [.000030] MIN GOLD FOR A LENGTH OF 5.08 [.200] MIN FROM MATING END, 3.81um [.000150] MIN TIN-LEAD FOR A LENGTH OF 5.36 [.211] MIN FROM OPPOSITE END, BOTH OVER 1.27um [.000050] MIN NICKEL.
- ⑤ 3.81um [.000150] MIN TIN OVER 1.27um [.000050] MIN NICKEL.
- ⑥ 0.76um [.000030] MIN GOLD FOR A LENGTH OF 5.08 [.200] MIN FROM MATING END, 3.81um [.000150] MIN TIN FOR A LENGTH OF 5.36 [.211] MIN FROM OPPOSITE END, BOTH OVER 1.27um [.000050] MIN NICKEL.

⑥	207609-7
⑤	207609-6
④	207609-3
③	207609-1
CONTACT FINISH	PART NO

THIS DRAWING IS A CONTROLLED DOCUMENT.		DWN	L.SIPE	08/07/92	 TE Connectivity
DIMENSIONS: mm [INCHES]		CHK	R.STONE	8-25-92	
TOLERANCES UNLESS OTHERWISE SPECIFIED:		APVD	A. TRAVIS	8-25-92	NAME
0 PLC	± -	PRODUCT SPEC		SOCKET HEADER ASSEMBLY, 3 POSN, IN-LINE, METRIMATE	
1 PLC	± -	APPLICATION SPEC		SIZE	CAGE CODE
2 PLC	± 0.25 [.010]	MATERIAL		A2	00779
3 PLC	± -	FINISH		DRAWING NO	
4 PLC	± -	CONTACTS: SEE TBL		G-207609	
ANGLES	± -	WEIGHT		RESTRICTED TO	
MATERIAL HOUSING: 1		CUSTOMER DRAWING		SCALE	2:1
				SHEET	1 OF 1
				REV	J2

Mouser Electronics

Authorized Distributor

Click to View Pricing, Inventory, Delivery & Lifecycle Information:

[TE Connectivity:](#)

[207609-6](#)