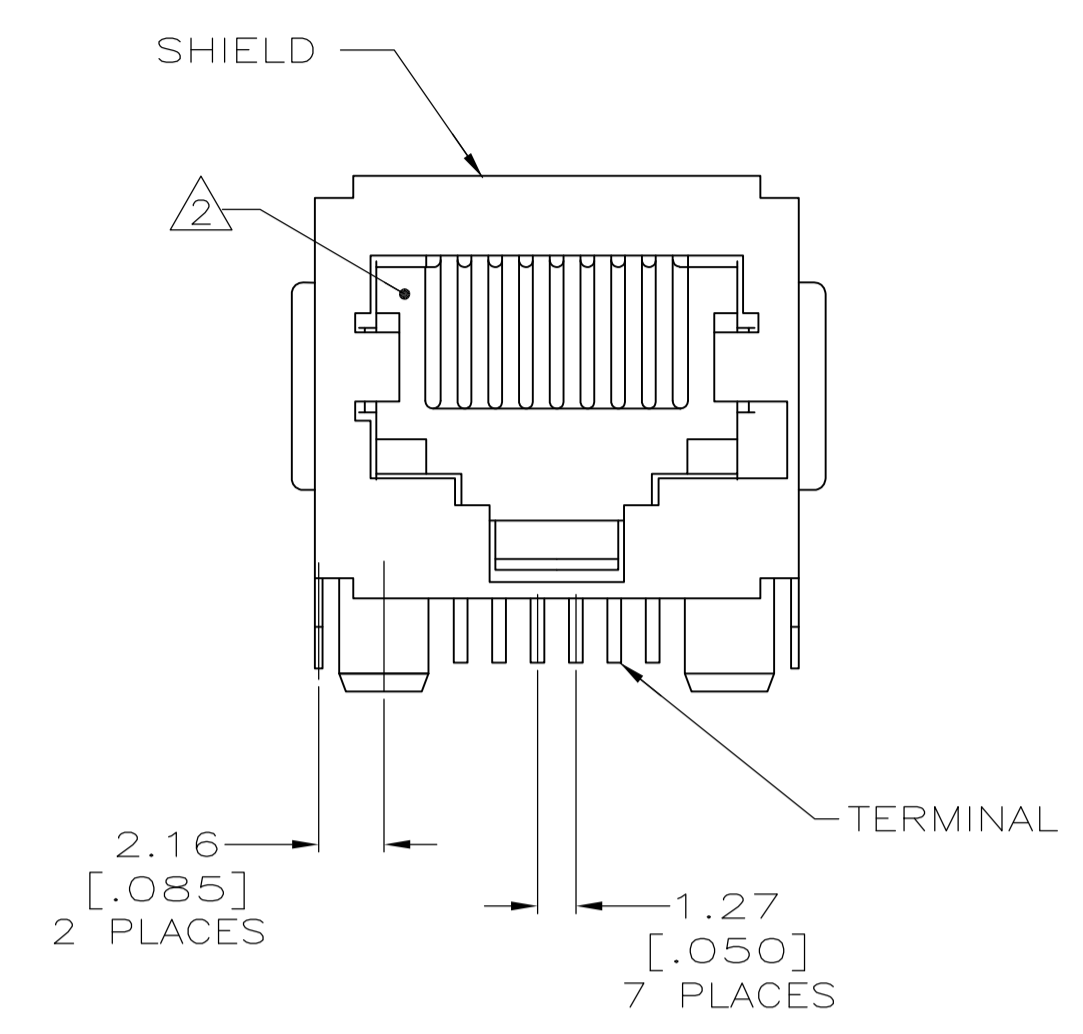
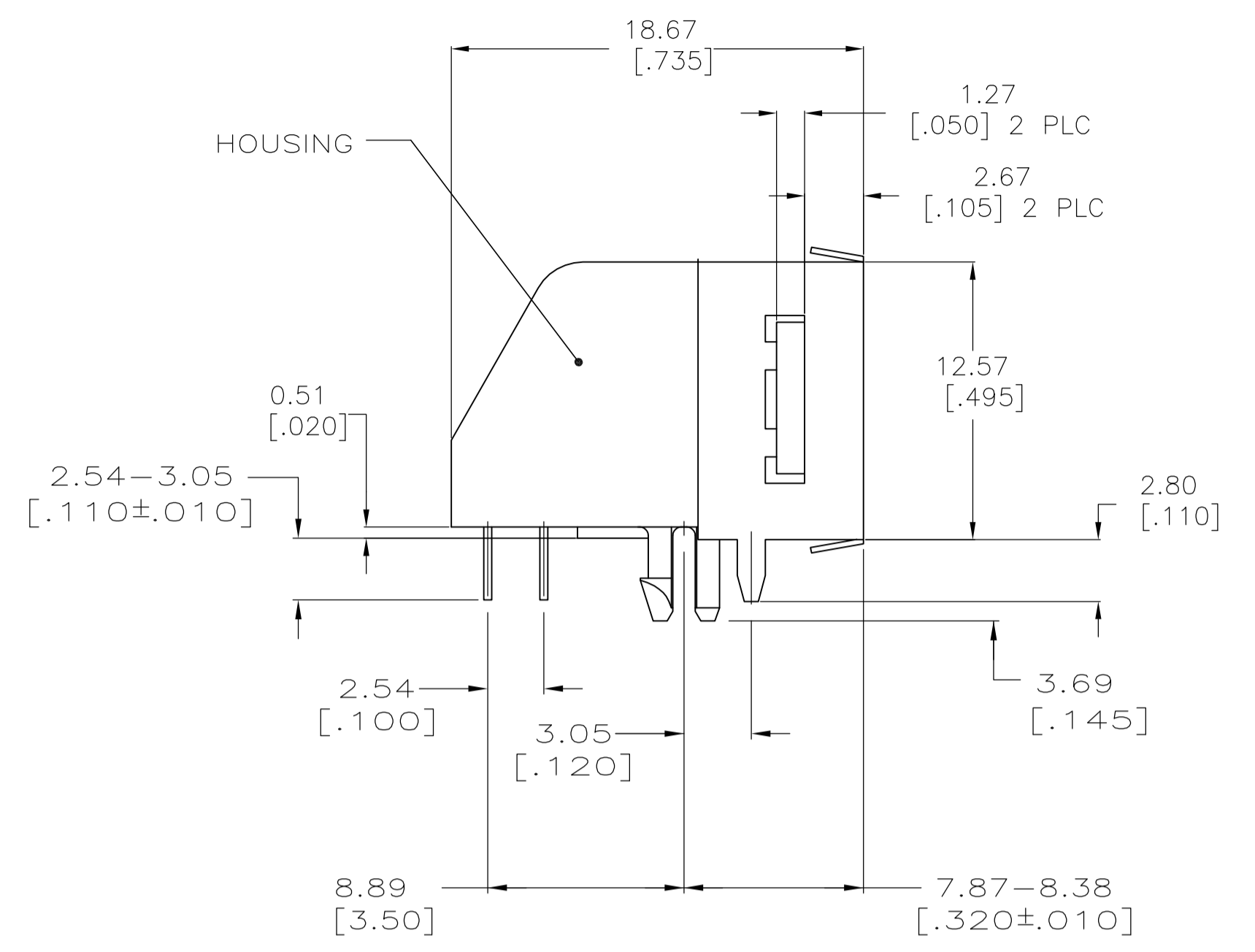
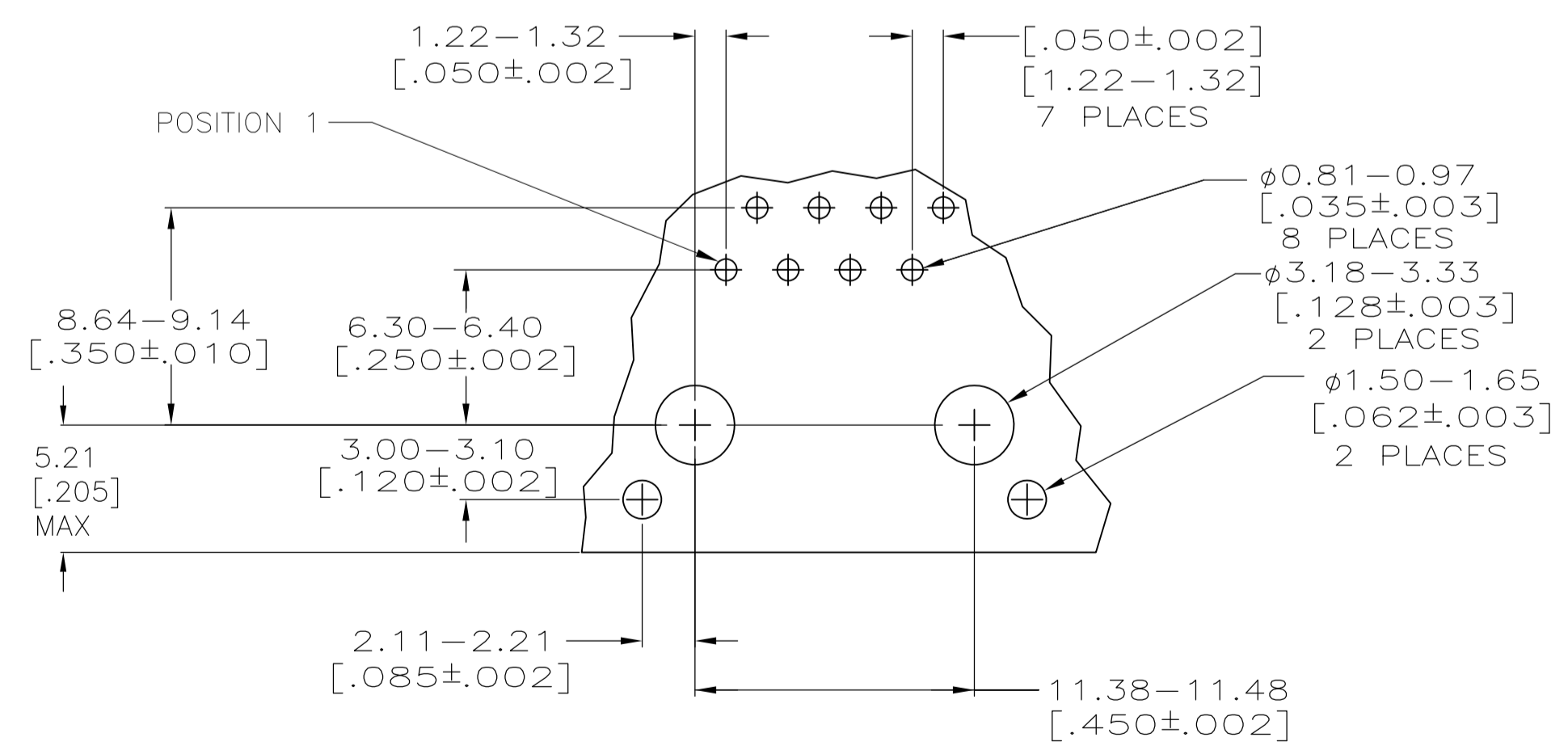
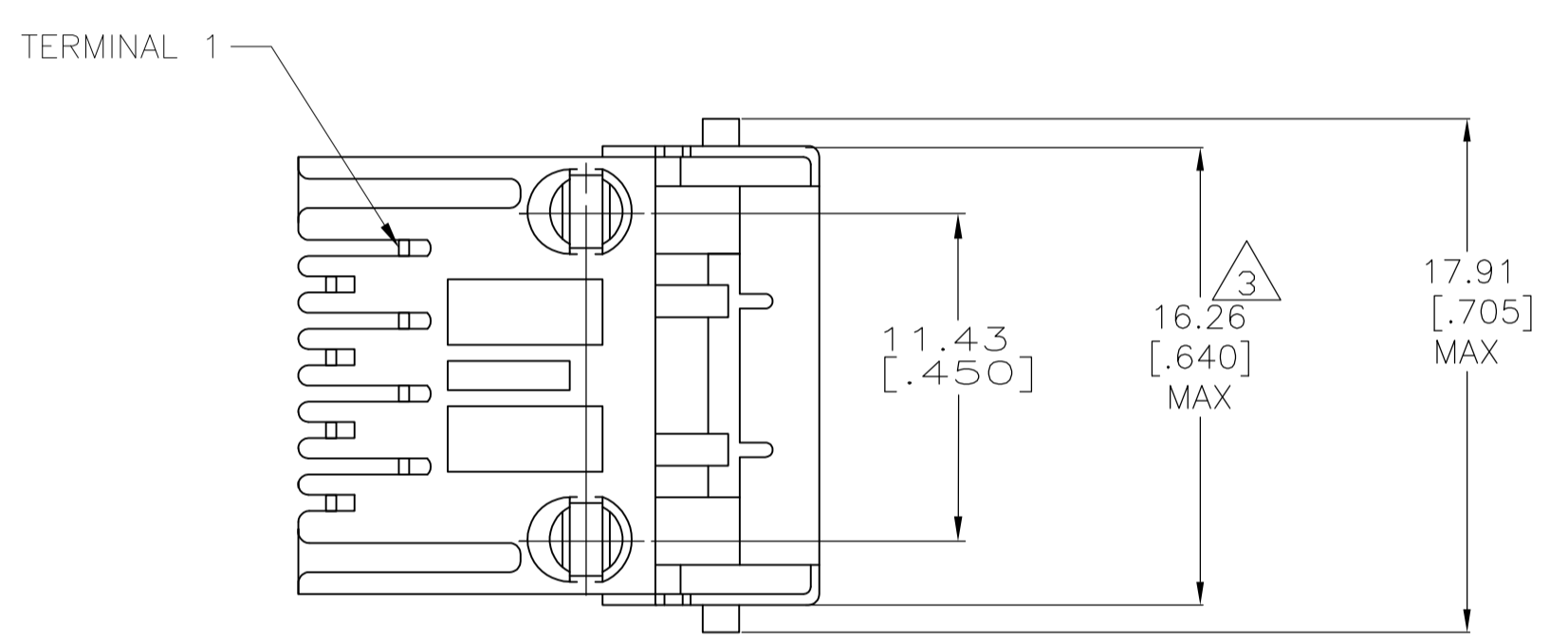


LOC		DIST		REVISIONS			
P	LTR	DESCRIPTION	DATE	DN	APVD		
C		ECO-08-002714	06FEB2008	LAM	PR		

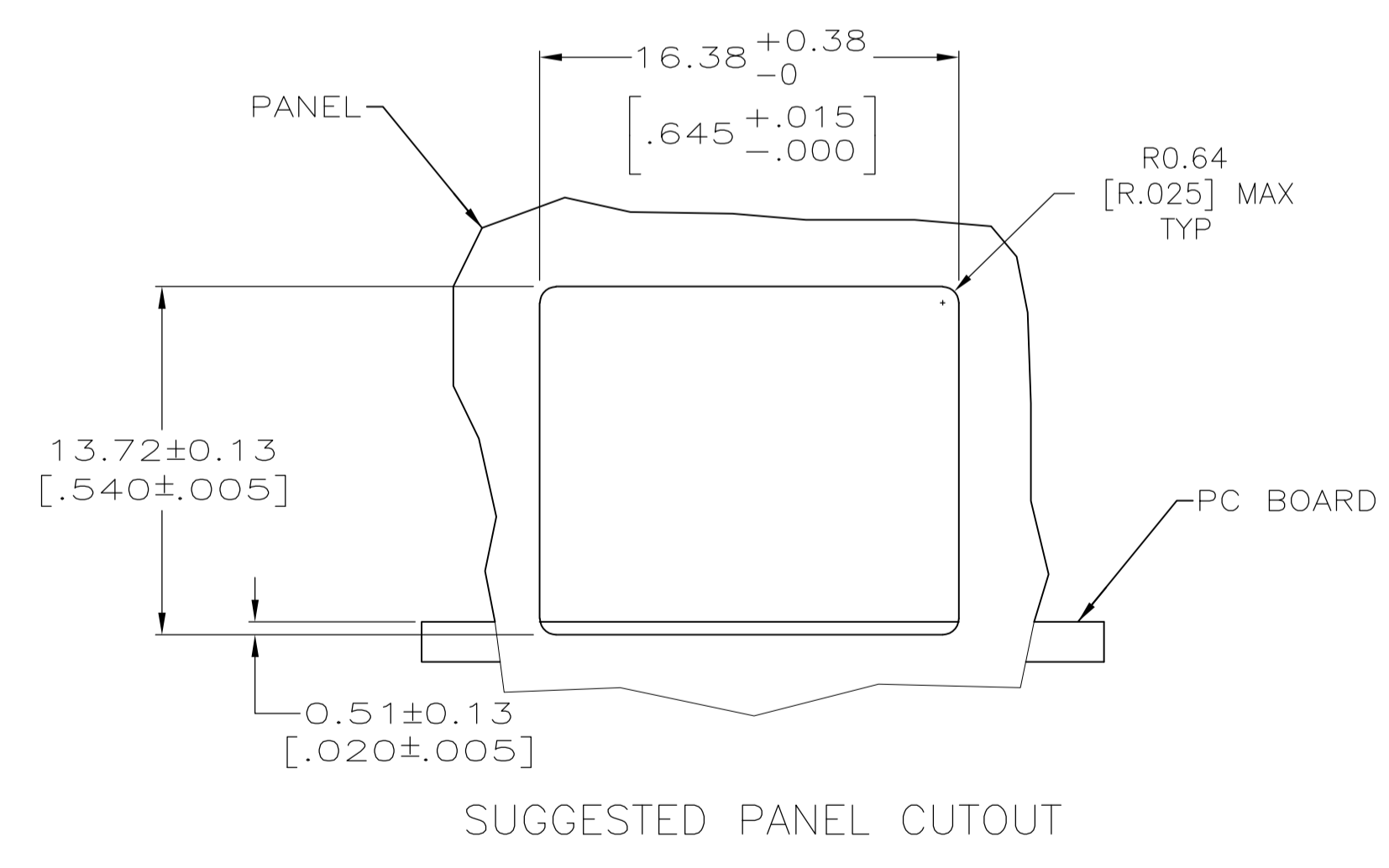


- MATERIAL:
 HOUSING-PBT POLYESTER BLACK.
 TERMINAL- 0.36 [.014] THICK PHOS-BRONZE PLATE WITH 1.27µm [.000050] MIN THICK HARD GOLD IN LOCALIZED GOLD PLATE AREA AND 3.81µm [.000150] MIN THICK MATTE TIN IN SOLDER AREA OVER 1.27µm [.000050] MIN THICK NICKEL UNDERPLATE.
 SHIELD- 0.25 [.010] THICK COPPER ALLOY, PLATE WITH 3.0µm [.000120] MIN THICK REFLOWED TIN

- △ CAVITY CONFORMS TO FCC RULES AND REGULATIONS, PART 68, SUBPART F.
- △ DIMENSION MEASURED ALONG FRONT EDGE OF MATING SURFACE



SUGGESTED PRINTED CIRCUIT BOARD LAYOUT
 COMPONENT SIDE



5558382-1
 PART NUMBER

THIS DRAWING IS A CONTROLLED DOCUMENT.		DIN A. FERNANDEZ 08JUN2005	Tyco Electronics Corporation Harrisburg, Pa 17105-3608	
DIMENSIONS: mm [INCHES]		CHK J. WESTMAN 08JUN2005	NAME S. FLICKINGER 08JUN2005	
TOLERANCES UNLESS OTHERWISE SPECIFIED:		PRODUCT SPEC 108-1163		
0 PLC ± -		APPLICATION SPEC 114-2048		
1 PLC ± -		SIZE CAGE CODE DRAWING NO		
2 PLC ± ± 0.13[.005]		A1 00779 C=5558382		
3 PLC ± -		WEIGHT -		
4 PLC ± -		CUSTOMER DRAWING		
ANGLES ± -		SCALE 4:1 SHEET 1 OF 1 REV C		

Mouser Electronics

Authorized Distributor

Click to View Pricing, Inventory, Delivery & Lifecycle Information:

[TE Connectivity:](#)

[5558382-1](#)