

4

3

2

1

THIS DRAWING IS UNPUBLISHED.

RELEASED FOR PUBLICATION

© COPYRIGHT

ALL RIGHTS RESERVED.

LOC DIST


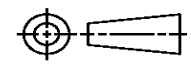
REVISIONS

P	LTR	DESCRIPTION	DATE	DWN	APVD

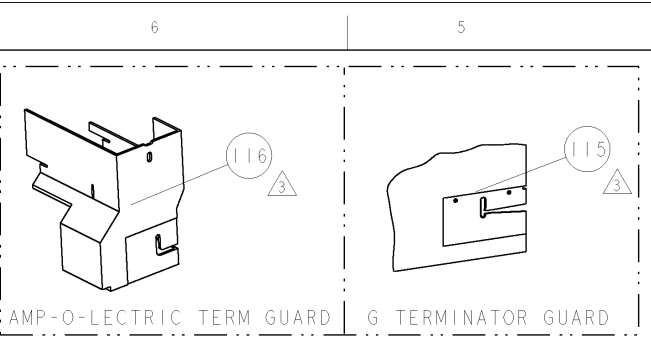
# REPLACED BY OCEAN STYLE APPLICATOR PART NUMBER

FOR REPLACEMENT PARTS FOR APPLICATOR REFER TO ADDITIONAL PAGE(S). SPARE PARTS KIT (IF LISTED) WILL REMAIN AVAILABLE.

THE REPLACEMENT OCEAN STYLE APPLICATOR HAS THE SAME TERMINATOR/PRESS INTERFACE AS APPLICATOR

THIS DRAWING IS A CONTROLLED DOCUMENT.		DWN	 <b>TE Connectivity</b>			
DIMENSIONS:		CHK				
		APVD	NAME			
TOLERANCES UNLESS OTHERWISE SPECIFIED:		PRODUCT SPEC	APPLICATION SPEC			
0 PLC ± 1 PLC ± 2 PLC ± 3 PLC ± 4 PLC ± ANGLES ±		WEIGHT	SIZE	CAGE CODE	DRAWING NO	RESTRICTED TO
MATERIAL	FINISH		A3		C-	
		SCALE	SHEET	OF	REV	

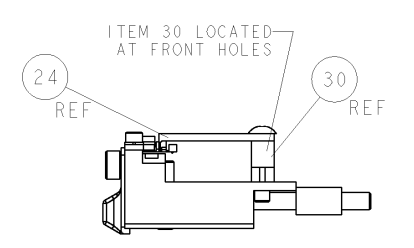
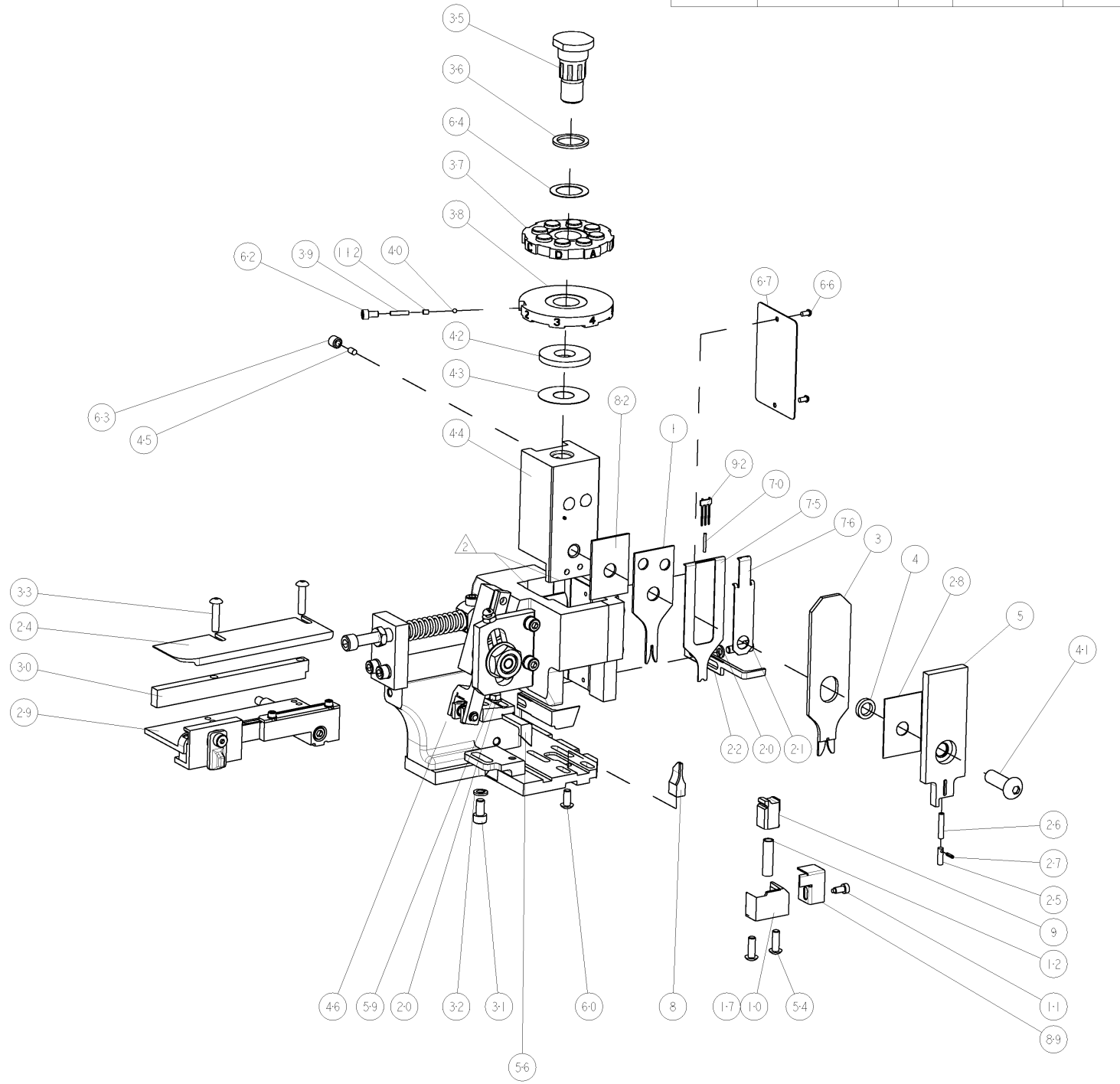
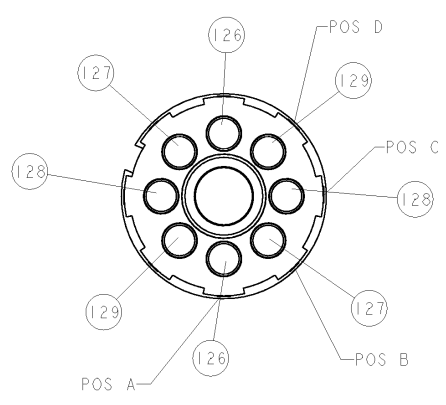
PART NUMBER	REV	FIRST USED	POWER UNIT	FEED TYPE	DESCRIPTION
1852215-1	C	122500-1	LEADMAKER	POST FEED	CUTS CARRIER
1852215-2	C	565435-5	BENCH MODEL K	PRE FEED	CUTS CARRIER
1852215-3	C	354500-1	BENCH MODEL G	PRE FEED	CUTS CARRIER
1852215-6	C	122500-1	LEADMAKER	POST FEED	CONTINUOUS CARRIER
7-1852215-7	C	-	-	-	SPARE PARTS



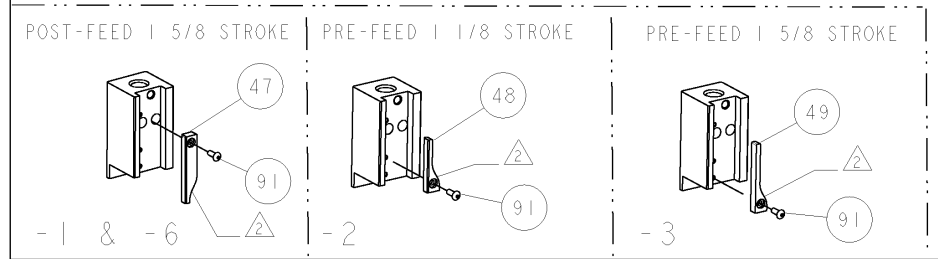
TERMINAL NAME: 2.0 MM PITCH HPI CRIMP CONTACT			
440132	-	AMP TERMINAL - AMP CRIMP SPECS	
-	-	PAD LTR	CRIMP HEIGHT
-	-	A	0.62-0.67mm [.025±.001]
-	-	B	0.57-0.62mm [.023±.001]
-	-	C	0.55-0.60mm [.022±.001]
-	-	D	0.52-0.57mm [.021±.001]
-	-	CRIMP	SIZE TYPE RANGE
-	-	WIRE	.052 [1.32mm] F 30-24 AWG
-	-	INSUL	.059 [1.50mm] F Ø .035-.059
.075 -.098	TERM APPL SPEC 114-57011	FEED .272	APPL INSTRUCTIONS 408-8040 SET UP GAGE 458637-1

LOC	REV	DATE	BY	CHKD
A	66			

- 1 RECOMMENDED SPARE PARTS
- 2 GREASE LIGHTLY
- 3 GUARD MUST BE IN PLACE WHEN OPERATING APPLICATOR IN A BENCH MACHINE



GUIDE OFF INS LEGS



QTY	REV	DATE	BY	CHKD	DESCRIPTION	ITEM NO	
-	2	2	2	2	-	4-354779-0 PIN, WIRE DISC, .3190	129
-	2	2	2	2	-	3-354779-8 PIN, WIRE DISC, .3180	128
-	2	2	2	2	-	3-354779-6 PIN, WIRE DISC, .3170	127
-	2	2	2	2	-	3-354779-2 PIN, WIRE DISC, .3150	126
-	-	-	REF	-	...	455749-1 GUARD WINDOW	116
-	-	REF	-	-	...	679532-1 INSERT, GUARD	115
-	-	-	-	-	-	690603-1 SPRING ASSIST AMP-O-MATOR APPLICATOR	112
-	-	-	-	-	-	1424350-1 HOLDER, PIN, WIRED	92
-	-	-	-	-	-	1-21002-7 SCR, BTN SKT HD CAP 6-32 X .375	91
-	-	-	-	-	-	318563-1 GUARD, FRONT CHIP	89
-	-	-	-	-	-	1-455888-1 SPACER, CRIMPER	82
-	-	-	-	-	-	1490524-1 DEPRESSOR, SPACER	76
-	-	-	-	-	-	1490525-6 DEPRESSOR, WIRE	75
-	-	-	-	-	-	4088040 SF APPL INST 408-8040	72
-	-	-	-	-	-	217238-1 GENERAL INSTRUCTION PKG	71
-	-	-	-	-	-	2-23147-2 SPRING, COMPRESSION	70
-	-	-	-	-	-	461264-1 PLATE, IDENTIFICATION	67
-	2	2	2	2	-	21017-2 SCREW, DRIVE	66
-	-	-	-	-	-	986950-1 WASHER, FLAT PRECISION	64
-	-	-	-	-	-	21009-2 SCR, SET, SELF LOCKING 1/4-20 X .250	63
-	-	-	-	-	-	23030-1 SCR, SKT HD CAP 6-32 X .25	62
-	-	-	-	-	-	22733-8 SCR, BHSC, SELF-LOCKING, 8-32 X .375	60
-	-	-	-	-	-	2-22603-0 SCR, HEX HD CAP 8-32 X .312	59
-	-	-	-	-	-	458537-2 PAWL, FEED	56
-	2	2	2	2	-	2-21002-2 SCR, BTN SKT HD CAP 8-32 X .500	54
-	-	-	-	-	...	690602-6 CAM, PRE FEED, 1/8	49
-	-	-	-	-	...	690602-5 CAM, PRE FEED, 1/8	48
-	-	-	-	-	-	690501-4 CAM, POST-FEED 1/8	47
-	-	-	-	-	-	459456-1 APPL. BASIC SUB ASSY (SIDE WISE MQCA)	46
-	-	-	-	-	-	690191-1 PLUG, NYLON	45
-	-	-	-	-	-	455673-1 RAM, SIDE FEED	44
-	-	-	-	-	-	690125-1 SHIM SUB-ASSY	43
-	-	-	-	-	-	690124-4 WASHER, RAM (.135)	42
-	-	-	-	-	-	7-21002-9 SCR, BTN SKT HD CAP 5/16-24 X 1.00	41
-	-	-	-	-	-	23241-6 BALL, STEEL	40
-	-	-	-	-	-	690170-1 SPRING, COMPRESSION	39
-	-	-	-	-	-	690142-4 DISC, INSULATION	38
-	-	-	-	-	-	354777-1 WIRE DISC, ASSEMBLY	37
-	-	-	-	-	-	22480-5 SPRING, COMPRESSION	36
-	-	-	-	-	-	690212-1 POST, RAM	35
-	2	2	2	2	-	2-21002-4 SCR, BTN SKT HD CAP 8-32 X .750	33
-	-	-	-	-	-	21024-5 WASHER, SPRG LOCK, REG NO 10	32
-	-	-	-	-	-	3-21000-4 SCR, SKT HD CAP 10-32 X .375	31
-	-	-	-	-	-	1320908-9 SPACER, STRIP GUIDE	30
-	-	-	-	-	-	1633091-1 ASSEMBLY, STRIP GUIDE	29
-	-	-	-	-	-	455888-5 SPACER, CRIMPER	28
-	-	-	-	-	-	21028-2 PIN, SLOTTED SPRING .062 X .250	27
-	-	-	-	-	-	22278-7 SPRING, COMPRESSION	26
-	-	-	-	-	-	854769-7 HOLDER, INS	25
-	-	-	-	-	-	1320928-1 PLATE, STRIP GUIDE	24
-	-	-	-	-	-	690472-2 STRIPPER	22
-	-	-	-	-	-	2-21000-7 SCR, SKT HD CAP 8-32 X .500	21
-	2	2	2	2	-	21024-4 WASHER, SPRG LOCK, REG NO 8	20
-	-	-	-	-	...	1-1338987-8 STRIPPER	19
-	-	-	-	-	-	679625-2 SHEAR HOLDER, FRONT (NO CUT)	17
-	-	-	-	-	-	3-22280-3 SPRING, COMPRESSION	12
-	-	-	-	-	-	690461-2 STOP, SHEAR	11
-	-	-	-	-	-	1-690459-0 SHEAR HOLDER, FRONT	10
-	-	-	-	-	-	462006-6 FLOATING SHEAR, FRONT	9
-	-	-	-	-	-	3-1633117-6 ANVIL, COMBINATION	8
-	-	-	-	-	-	1-854772-4 DEPRESSOR, SHEAR	5
-	-	-	-	-	-	238011-4 BLOCK, CRIMPER SPACER	4
-	-	-	-	-	-	1633468-8 CRIMPER, INSULATION PREMIUM	3
-	-	-	-	-	-	7-568176-6 CRIMPER, WIRE	1

REV	DATE	BY	CHKD	DESCRIPTION	
-77	-6	-3	-2	-1	U/M PART NO

DIMENSIONS: INCHES		TOLERANCES UNLESS OTHERWISE SPECIFIED:	
0 PLC	±	1 PLC	±0.1
1 PLC	±	2 PLC	±0.01
2 PLC	±	3 PLC	±0.001
3 PLC	±	4 PLC	±0.0001
4 PLC	±	ANGLES	

APPROVED	DATE	BY	CHKD
R. O. WILSON	06MAR2006	R. O. WILSON	06MAR2006
J. ELBIN	07MAR2006	J. ELBIN	07MAR2006

tyco Electronics		Tyco Electronics	
Harrisburg, PA 17105-3608		Harrisburg, PA 17105-3608	
NAME	PRODUCT SPEC	SIZE	CAGE CODE
SIDE FEED HDM APPLICATOR		A	00779
DRAWING NO	SCALE	SHEET	OF
1852215	3:5	1	1

# Mouser Electronics

Authorized Distributor

Click to View Pricing, Inventory, Delivery & Lifecycle Information:

[TE Connectivity:](#)

[1852215-6](#)