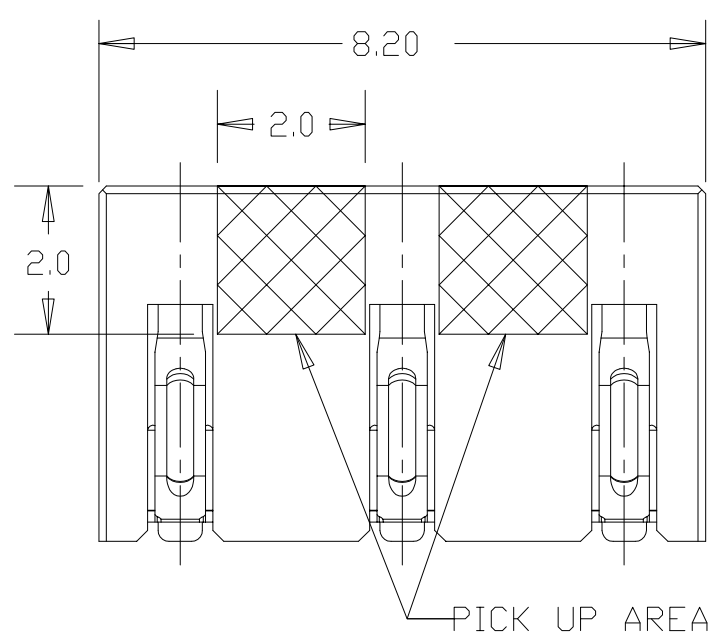
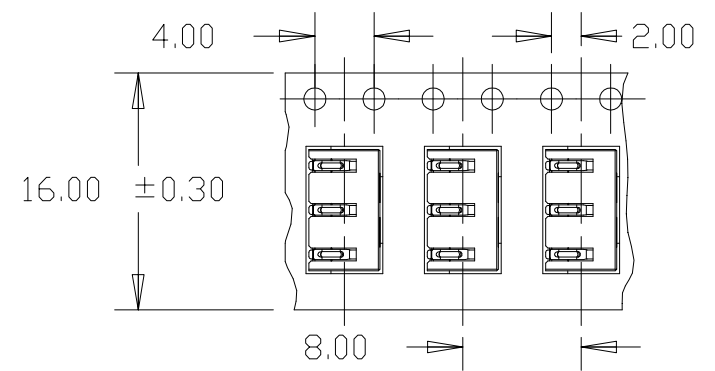


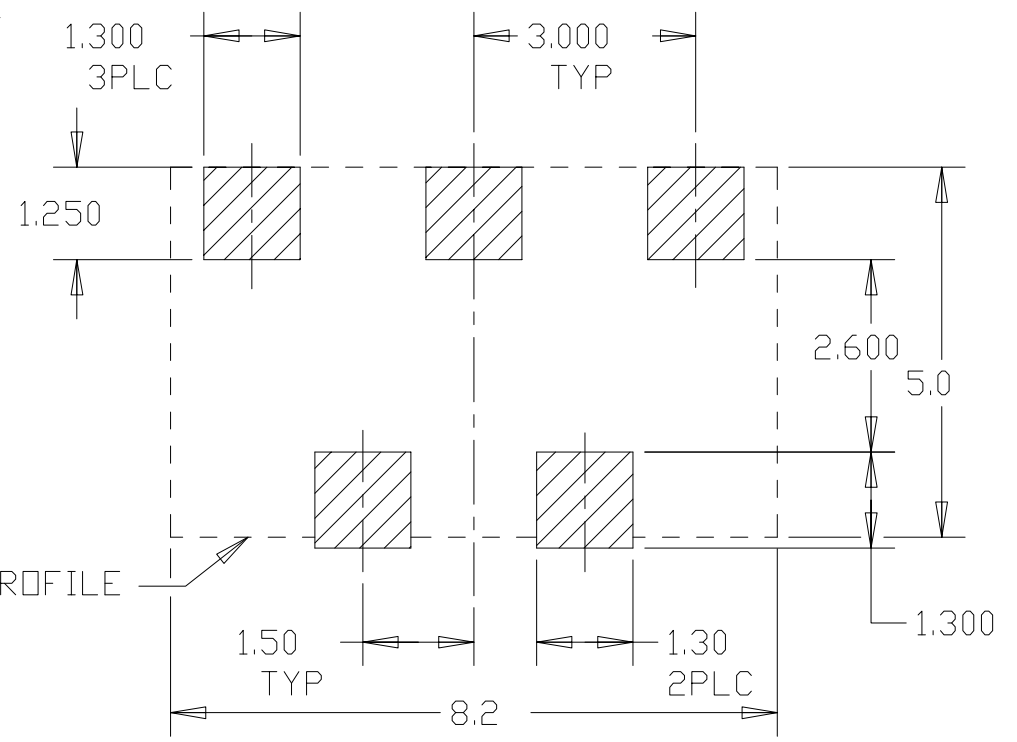
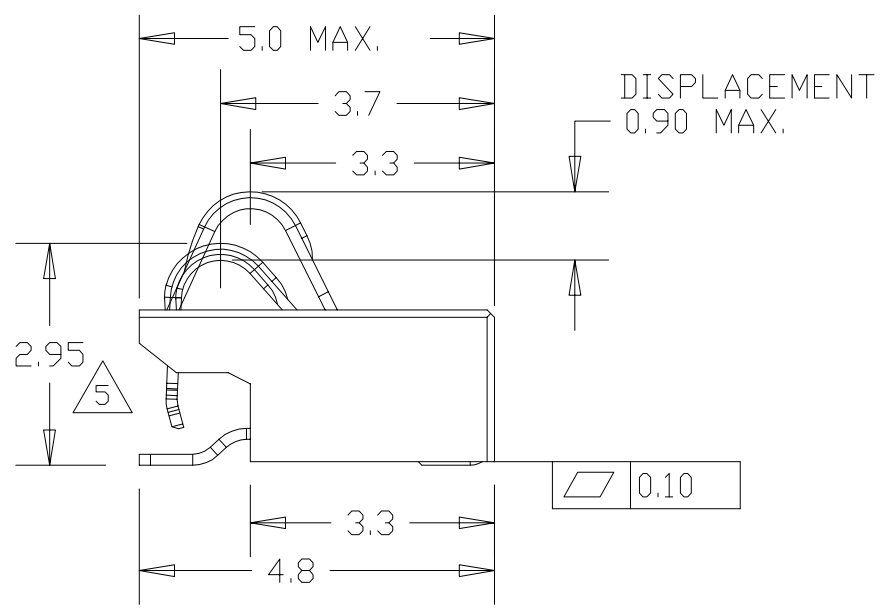
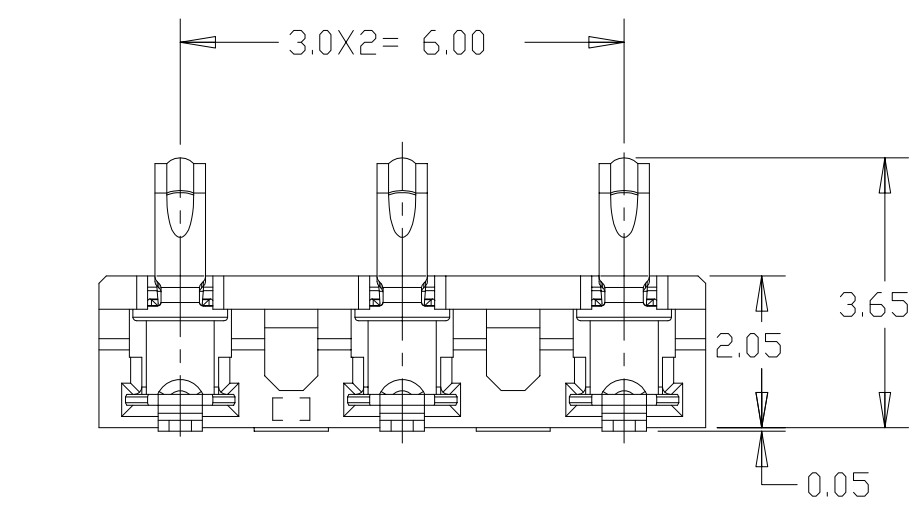
LOC	DIST	REVISIONS					
ES	00	P	LTR	DESCRIPTION	DATE	DWN	APVD
		A2		REVISED ECR-09-012678	19MAY09	R.S	S.Y



- 1 MATERIAL:
CONTACT: COPPER ALLOY.
HOUSING: THERMOPLASTIC BLACK LCP OR EQUIVALENT, UL 94V-0.
- 2 FINISH: 15 MICROINCH (0.38 MICRON) GOLD PLATING ON CONTACT AREA,
GOLD FLASH PLATING ON SOLDER AREA,
OVER 50 MICROINCH (1.27 MICRON) NICKEL PLATING OVERALL.
- 3 FINISH: 30 MICROINCH (0.76 MICRON) GOLD PLATING ON CONTACT AREA,
GOLD FLASH PLATING ON SOLDER AREA,
OVER 50 MICROINCH (1.27 MICRON) NICKEL PLATING OVERALL.
- 4 PRODUCT TO BE PACKAGED IN ANTI-STATIC TAPE AND REEL.
- 5 NORMAL FORCE IS 85g MIN. WHEN A CONTACT PRESSED TO THIS POSITION.

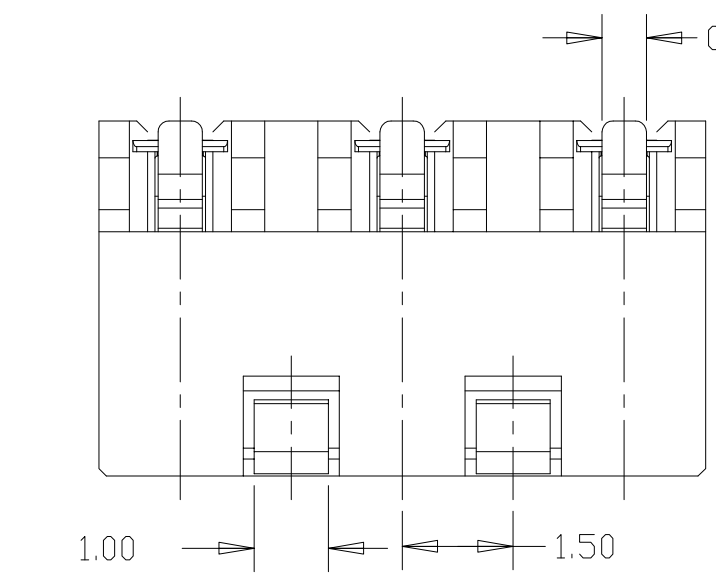


DIRECTION REEL OFF BY CUSTOMER
 Tape material: PS black conductive
 Reel diameter: 330mm
 Components/reel: 1500pcs



30 MICROINCH GOLD PLATING	3	292448-2
15 MICROINCH GOLD PLATING	2	292448-1
REMARK	FINISH	PART NO.

RECOMMENED PCB LAYOUT



THIS DRAWING IS A CONTROLLED DOCUMENT FOR TYCO ELECTRONICS CORPORATION IT IS SUBJECT TO CHANGE AND THE CONTROLLING ENGINEERING ORGANIZATION SHOULD BE CONTACTED FOR THE LATEST REVISION.		DWN	19-Jul-06	Tyco Electronics Shanghai, P.R.China, 200233					
		CHK	19-Jul-06						
		APVD	19-Jul-06	NAME 3.0mm PITCH 3 PIN SMT TYPE BATTERY CONNECTOR HEIGHT=3.70mm					
		PRODUCT SPEC	108-60057						
		APPLICATION SPEC	-	SIZE A3					
		WEIGHT	0.1g						
MATERIAL SEE NOTES		FINISH	SEE NOTES	CAGE CODE	0079	DRAWING NO	C-292448	RESTRICTED TO	-
1		2 3		SCALE	10:1	SHEET	1 OF 2	REV	A2

4

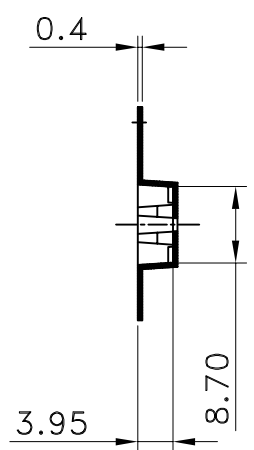
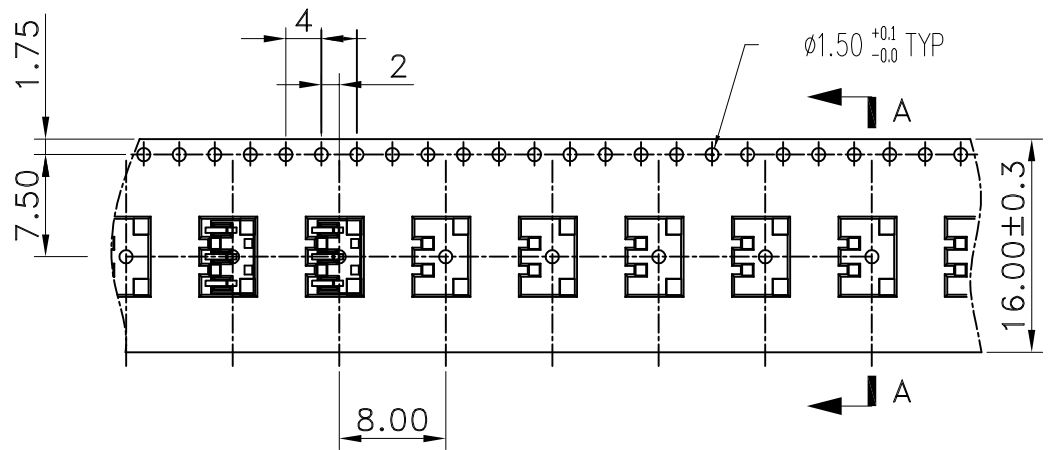
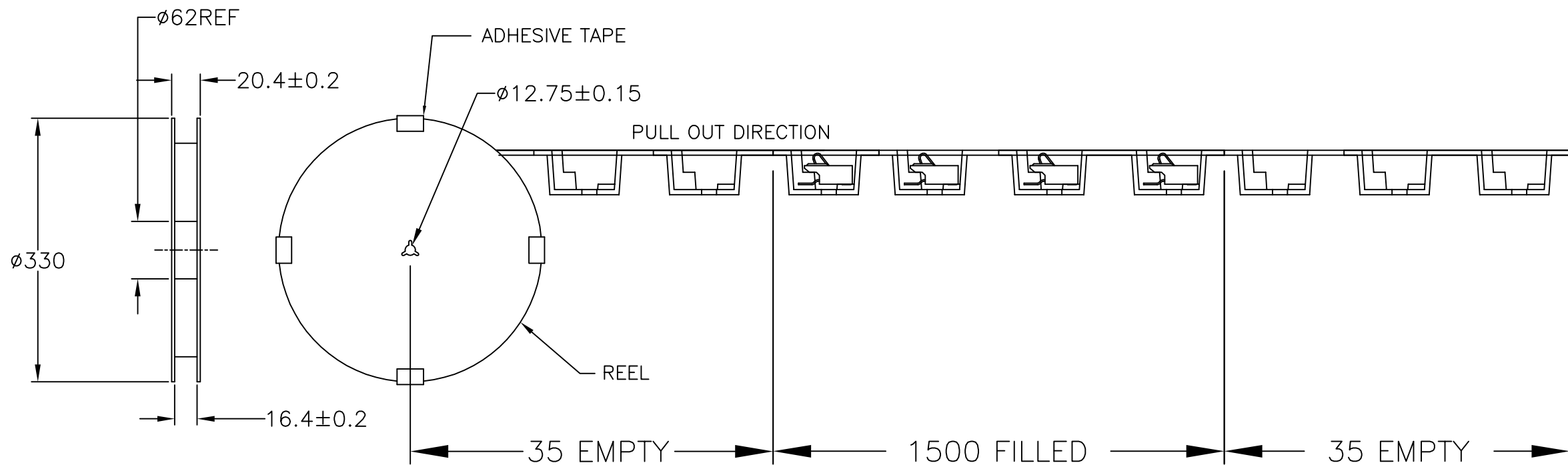
3

2

1

THIS DRAWING IS UNPUBLISHED. RELEASED FOR PUBLICATION 06 2007.
 © COPYRIGHT 2007 BY TYCO ELECTRONICS CORPORATION. ALL RIGHTS RESERVED.

LOC	DIST	REVISIONS					
ES	00	P	LTR	DESCRIPTION	DATE	DWN	APVD
		-		SEE SHEET 1	-	-	-



SECTION A-A

- 1. PEELING RESISTANCE: 0.1 TO 0.7N
- 2. PEELING SPEED : 300MM/MINUTES
- 3. PRIMARY PACKING: 1500 EA PER REEL

THIS DRAWING IS A CONTROLLED DOCUMENT.		DWN	Tyco Electronics Corporation Shanghai, P.R.China, 200233		
DIMENSIONS: mm		CHK	NAME		
TOLERANCES UNLESS OTHERWISE SPECIFIED:		APVD	3.0mm PITCH 3 PIN SMT TYPE BATTERY CONNECTOR HEIGHT =3.70mm		
0 PLC ± 0.5		PRODUCT SPEC	SIZE	CAGE CODE	DRAWING NO
1 PLC ± 0.3		APPLICATION SPEC	A3	0079	C=292448
2 PLC ± 0.3		WEIGHT	RESTRICTED TO		
3 PLC ± 0.3		CUSTOMER DRAWING	-		
4 PLC ± 0.3		SCALE	2:1	SHEET	2 of 2
ANGLES ± 3'		REV	A2		
FINISH					

Mouser Electronics

Authorized Distributor

Click to View Pricing, Inventory, Delivery & Lifecycle Information:

[TE Connectivity:](#)

[292448-1](#)