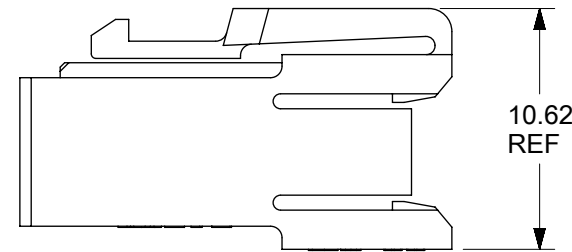
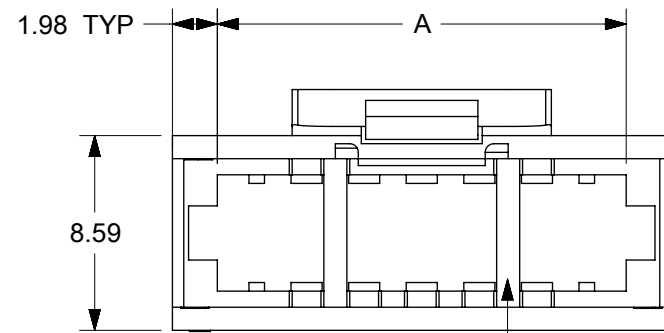
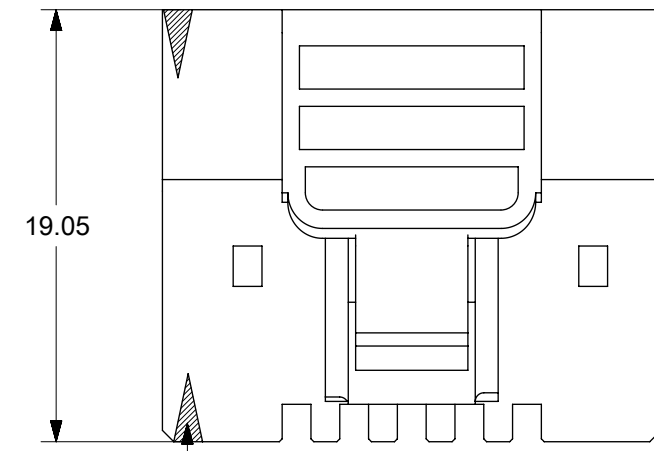


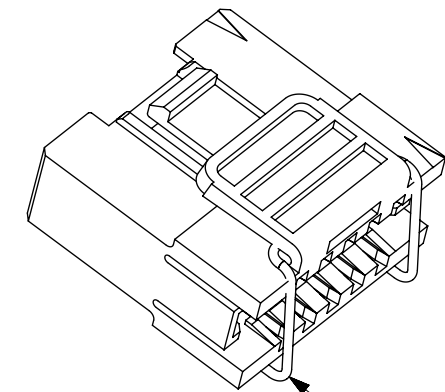
NOTES:

1. MATERIAL: POLYESTER, 94V-0, BLACK
2. PRODUCT SPECIFICATION:
3. PACKAGING SPECIFICATION: PK-70013-100
4. OPTIONAL SPRING CLIP: 71809
RECOMMENDED ON 18-50 CKT PARTS FOR HIGHER RETENTION FORCE
5. INTERIM CLIP ACCEPTS:
TWO 70066 SINGLE ROW CRIMP HOUSINGS
TWO 70400 SINGLE ROW IDT ASSEMBLIES
TWO 70430 SINGLE ROW FFC ASSEMBLIES
ONE 70450 DUAL ROW CRIMP HOUSING
6. MATES WITH:
OPTION A: HOUSINGS WITHOUT RIBS
70567 CGRID DUAL ROW VERTICAL HEADER OPTION B
74162 CGRID DUAL ROW RIGHT ANGLE HEADER OPTION B
70022 DUAL ROW PANEL MOUNT CLIP
OPTION B: HOUSINGS WITH RIBS
70567 CGRID DUAL ROW VERTICAL HEADER OPTION C
74162 CGRID DUAL ROW RIGHT ANGLE HEADER OPTION C
70568 CGRID DUAL ROW VERTICAL HEADER
70229 CGRID DUAL ROW RIGHT ANGLE HEADER
70022 DUAL ROW PANEL MOUNT CLIP

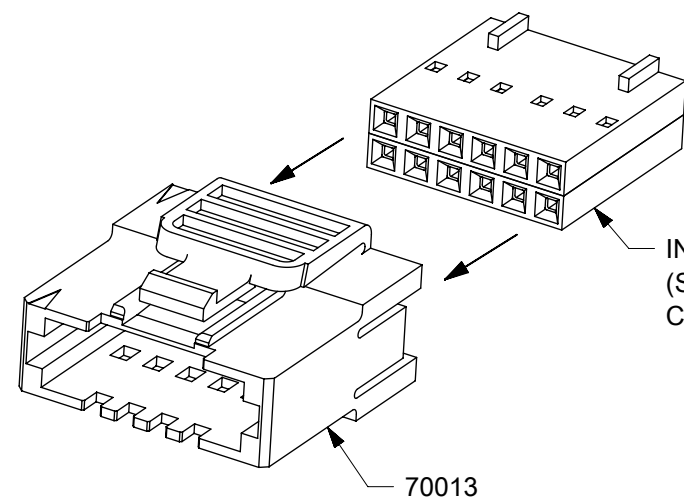
OPTION A
HOUSING WITHOUT RIBS



SUPPORT BEAMS PRESENT
ON ALL 14-50 CIRCUIT PARTS

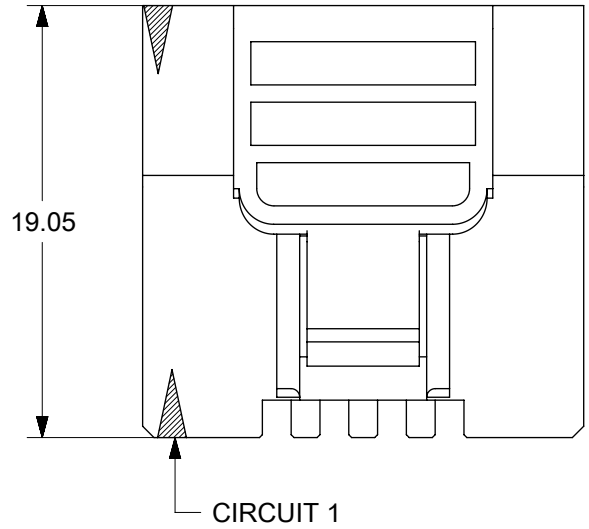


RETENTION CLIP
SEE NOTE 4

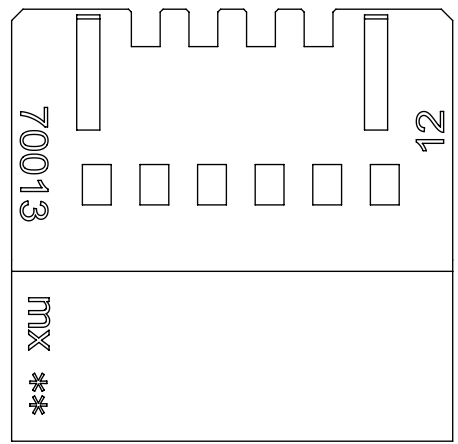
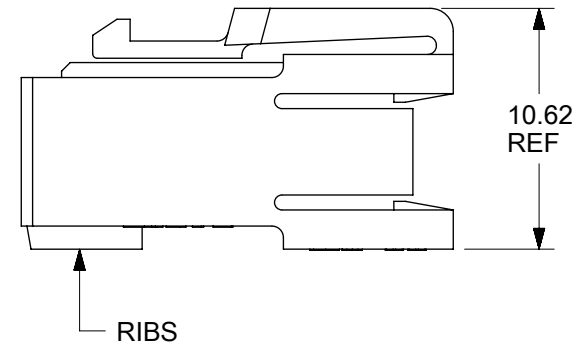
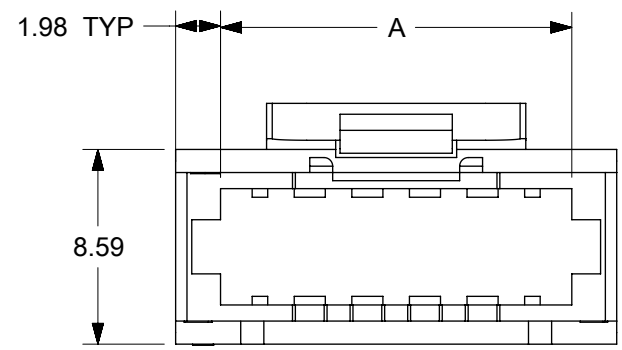


INTERIM CLIP ACCEPTS CONNECTORS:
(SEE NOTE 5)
CONNECTORS SHOWN FOR REF ONLY.

| | | | | | | | | | | | | |
|---|--|--|------------|-----------------|------------|------------------------|--|--------------------------|-----------------|----------|--------------|--|
| THIS DRAWING CONTAINS INFORMATION THAT IS PROPRIETARY TO MOLEX ELECTRONIC TECHNOLOGIES, LLC AND SHOULD NOT BE USED WITHOUT WRITTEN PERMISSION | | | | | | | | | | | | |
| QUALITY SYMBOLS ▽ = 0 ▽ = 0 ▽ = 0 ▼ = 0 ▽ = 0 ⊠ = 0 ■ = 0 ▽ = 0 | UPDATE LOCK EC NO: 112473 DRWN: KSAMIEC CHKD: APPR: FSMITH | GENERAL TOLERANCES (UNLESS SPECIFIED) | | DIMENSION UNITS | SCALE | | | | | | | |
| | | ANGULAR TOL ± ° | | MM | 3:1 | | | | | | | |
| | | 4 PLACES ± | 3 PLACES ± | KSAMIEC | 2017/07/10 | | | | | | | |
| | | 2 PLACES ± 0.25 | | CHK'D BY | | DATE | | SL DUAL ROW INTERIM CLIP | | | | |
| | | 1 PLACE ± 0.38 | | CHKD BY | | DATE | | | | | | |
| | | 0 PLACES ± 0.0 | | APPR BY | | DATE | | PRODUCT CUSTOMER DRAWING | | | | |
| | | DRAFT WHERE APPLICABLE MUST REMAIN WITHIN DIMENSIONS | | DRAWING SIZE | | THIRD ANGLE PROJECTION | | SERIES | MATERIAL NUMBER | CUSTOMER | | |
| | | A | | B | | | | 70013 | | | | |
| | | | | | | | | DOCUMENT NUMBER | DOC TYPE | DOC PART | SHEET NUMBER | |
| | | | | | | | | 700130000-SD | PSD | 000 | 1 OF 3 | |

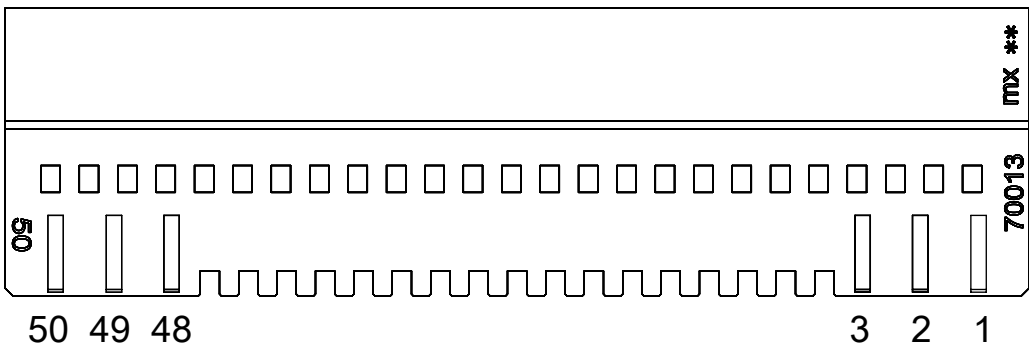


OPTION B
HOUSING WITH RIBS

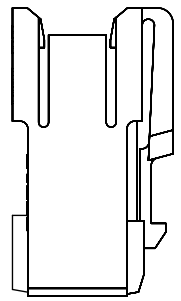


| CKTS | DIM A | OPTION A WITHOUT RIBS | | OPTION B WITH RIBS | |
|------|-------|-----------------------|------------|--------------------|------------|
| | | MATERIAL NO | ENG NO | MATERIAL NO | ENG NO |
| 6 | 7.87 | 15045061 | 70013-0006 | 15045064 | 70013-1006 |
| 8 | 10.41 | 15045081 | 70013-0008 | 15045084 | 70013-1008 |
| 10 | 12.95 | 15045101 | 70013-0010 | 15045104 | 70013-1010 |
| 12 | 15.49 | 15045121 | 70013-0012 | 15045124 | 70013-1012 |
| 14 | 18.03 | 15045141 | 70013-0014 | 15045144 | 70013-1014 |
| 16 | 20.57 | 15045161 | 70013-0016 | 15045164 | 70013-1016 |
| 18 | 23.11 | 15045181 | 70013-0018 | 15045184 | 70013-1018 |
| 20 | 25.65 | 15045201 | 70013-0020 | 15045204 | 70013-1020 |
| 22 | 28.19 | 15045221 | 70013-0022 | 15045224 | 70013-1022 |
| 24 | 30.73 | 15045241 | 70013-0024 | 15045244 | 70013-1024 |
| 26 | 33.27 | 15045261 | 70013-0026 | 15045264 | 70013-1026 |
| 28 | 35.81 | 15045281 | 70013-0028 | 15045284 | 70013-1028 |
| 30 | 38.35 | 15045301 | 70013-0030 | 15045304 | 70013-1030 |
| 32 | 40.89 | 15045321 | 70013-0032 | 15045324 | 70013-1032 |
| 34 | 43.43 | 15045341 | 70013-0034 | 15045344 | 70013-1034 |
| 36 | 45.97 | 15045361 | 70013-0036 | 15045364 | 70013-1036 |
| 38 | 48.51 | 15045381 | 70013-0038 | 15045384 | 70013-1038 |
| 40 | 51.05 | 15045401 | 70013-0040 | 15045404 | 70013-1040 |
| 42 | 53.59 | 15045421 | 70013-0042 | 15045424 | 70013-1042 |
| 44 | 56.13 | 15045441 | 70013-0044 | 15045444 | 70013-1044 |
| 46 | 58.67 | 15045461 | 70013-0046 | 15045464 | 70013-1046 |
| 48 | 61.21 | 15045481 | 70013-0048 | 15045484 | 70013-1048 |
| 50 | 63.75 | 15045501 | 70013-0050 | 15045504 | 70013-1050 |

| | | | | | | | | | | | |
|----------------------------|---|--|---------------------------------------|--------------|-----------------|------------------------|--|--------|-----------|-----------------|--------|
| QUALITY SYMBOLS | THIS DRAWING CONTAINS INFORMATION THAT IS PROPRIETARY TO MOLEX ELECTRONIC TECHNOLOGIES, LLC AND SHOULD NOT BE USED WITHOUT WRITTEN PERMISSION | | | | | | | | | | |
| | UPDATE LOCK EC NO: 112473 DRWN: KSAMIEC CHKD: APPR: FSMITH | 2017/07/10 2017/07/18 | GENERAL TOLERANCES (UNLESS SPECIFIED) | | DIMENSION UNITS | SCALE | SL DUAL ROW INTERIM CLIP PRODUCT CUSTOMER DRAWING | | | | |
| | | | ANGULAR TOL ± ° | | MM | 3:1 | | | | | |
| | | | 4 PLACES ± | DRWN BY | DATE | | | | | | |
| | | | 3 PLACES ± | CHK'D BY | DATE | | | | | | |
| | | | 2 PLACES ± 0.25 | CHKD BY | | | | | | | |
| | 1 PLACE ± 0.38 | APPR BY | DATE | DRAWING SIZE | | THIRD ANGLE PROJECTION | | SERIES | | MATERIAL NUMBER | |
| | 0 PLACES ± 0.0 | DRAFT WHERE APPLICABLE MUST REMAIN WITHIN DIMENSIONS | | B | | | 70013 | | SEE CHART | | |
| | DOCUMENT NUMBER | | DOC TYPE | DOC PART | SHEET NUMBER | | 700130000-SD | | PSD | 000 | 2 OF 3 |



POLARIZING RIB LOCATIONS
AVAILABLE ON 50 CKT PARTS ONLY
SEE CHART FOR LOCATIONS



| CUSTOM POLARIZING RIB LOCATIONS | | | | MATES WITH | |
|---------------------------------|-------------|------------|---------------|-------------|------------|
| CKTS | MATERIAL NO | ENG NO | RIB LOCATIONS | MATERIAL NO | ENG NO |
| 50 | 15-04-5500 | 70013-1051 | 1 AND 49 | 50-65-0501 | 70022-0061 |
| 50 | 15-04-5502 | 70013-1052 | 1 AND 48 | 50-65-0502 | 70022-0062 |
| 50 | 15-04-5503 | 70013-1053 | 2 AND 50 | 50-65-0503 | 70022-0063 |
| 50 | 15-04-5505 | 70013-1054 | 2 AND 49 | 50-65-0504 | 70022-0064 |
| 50 | 15-04-5506 | 70013-1055 | 2 AND 48 | 50-65-0505 | 70022-0065 |
| 50 | 15-04-5507 | 70013-1056 | 3 AND 50 | 50-65-0506 | 70022-0066 |
| 50 | 15-04-5508 | 70013-1057 | 3 AND 49 | 50-65-0507 | 70022-0067 |
| 50 | 15-04-5509 | 70013-1058 | 3 AND 48 | 50-65-0508 | 70022-0068 |

| | | | | | | | | | | | | | | | |
|---|--|--------------------------|---|--|-------------------------------|------------------------------|--|-------------------------------------|------------------------|--------------------------|-------------------------------|--|--------------------------|--|--|
| THIS DRAWING CONTAINS INFORMATION THAT IS PROPRIETARY TO MOLEX ELECTRONIC TECHNOLOGIES, LLC AND SHOULD NOT BE USED WITHOUT WRITTEN PERMISSION | | | | | | | | | | | | | | | |
| QUALITY SYMBOLS | UPDATE LOCK EC NO: 112473 DRWN: KSAMIEC CHKD: APPR: FSMITH | 2017/07/10 2017/07/18 | GENERAL TOLERANCES (UNLESS SPECIFIED) | | | DIMENSION UNITS MM | | SCALE 2:1 | | | | | | | |
| | | | ANGULAR TOL ± | | | DRWN BY KSAMIEC | | DATE 2017/07/10 | | | | | SL DUAL ROW INTERIM CLIP | | |
| | | | 4 PLACES ± 3 PLACES ± 2 PLACES ± 0.25 1 PLACE ± 0.38 0 PLACES ± 0.0 | | | CHK'D BY CHKD BY | | DATE | | | | | | | |
| | | | DRAFT WHERE APPLICABLE MUST REMAIN WITHIN DIMENSIONS | | | APPR BY FSMITH | | DATE 2017/07/18 | | PRODUCT CUSTOMER DRAWING | | | | | |
| | | | DRAWING SIZE B | | THIRD ANGLE PROJECTION | | SERIES 70013 | MATERIAL NUMBER SEE CHART | | CUSTOMER | | | | | |
| | | | | | | | DOCUMENT NUMBER 700130000-SD | | DOC TYPE PSD | DOC PART 000 | SHEET NUMBER 3 OF 3 | | | | |