

THIS DRAWING IS UNPUBLISHED.

RELEASED FOR PUBLICATION

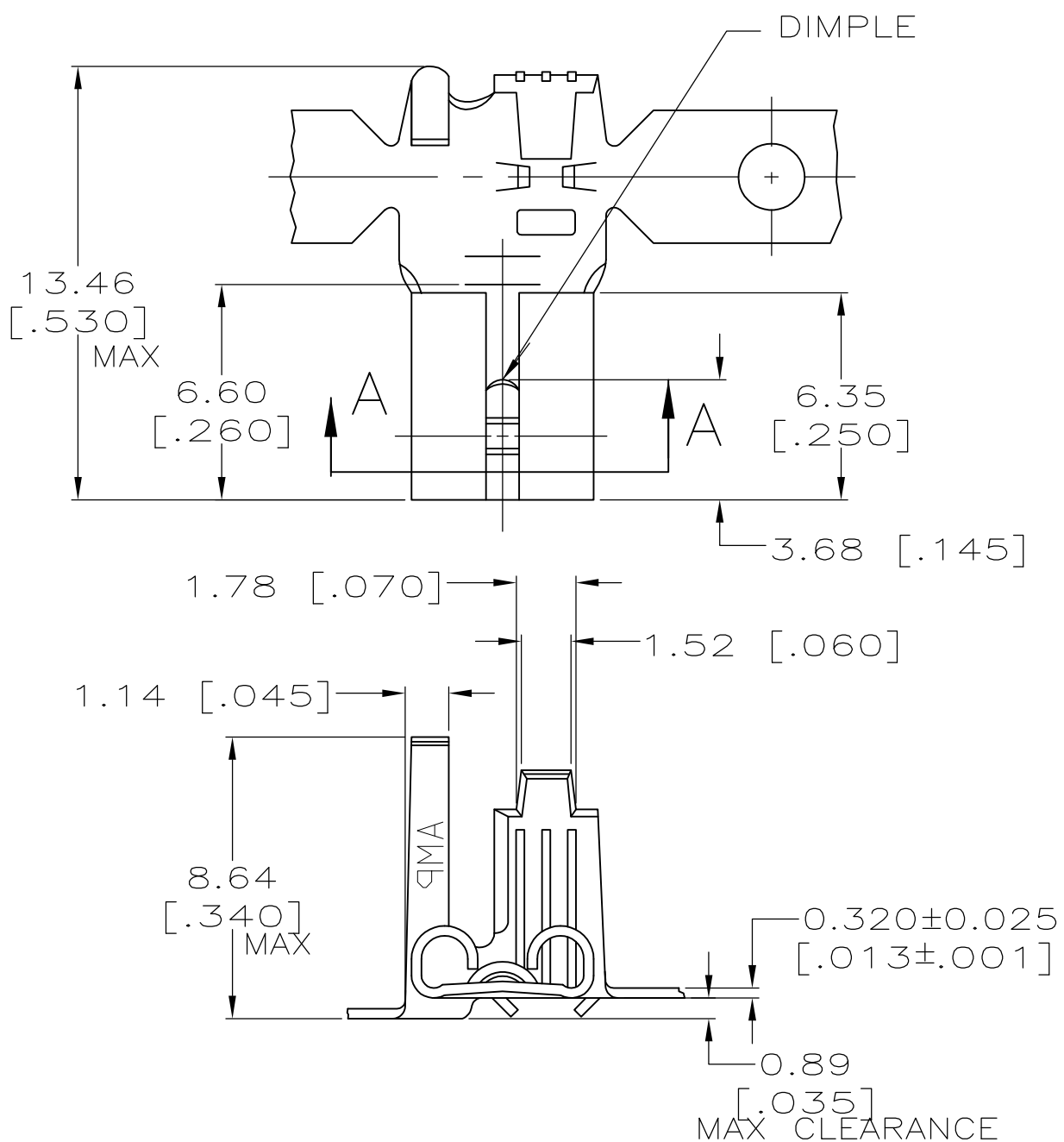
ALL RIGHTS RESERVED.

© COPYRIGHT - By -

LOC AF DIST 50

REVISIONS

P	LTR	DESCRIPTION	DATE	DWN	APVD
G		REVISED PER ECR-12-013445	18OCT12	KH	PD



- 1 CONTINUOUS STRIP ON REELS.
- 2 ACCEPTS [#20-#16] AWG WIRE.
- 3 INSULATION RANGE TO BE 2.79-4.32 [.110-.170] DIA.
- 4 MATING TAB THICKNESS TO BE 0.51±0.025 [.020±.001]
- 5 FEED TO BE 16.38±0.13 [.645±.005]
- △ 6 PREPRODUCTION - FASR REQUIRED

TIN	H04 PHOS BRONZE	△ 6	42618-3
TIN	BRASS		42618-2
-	BRASS		42618-1
FINISH	MATERIAL		PART NO.

THIS DRAWING IS A CONTROLLED DOCUMENT.		DWN	JR RUTH	1/25/96	<b>STE</b> TE Connectivity												
DIMENSIONS: MM [ INCHES ]		CHK	P FORTNEY	1/25/96													
TOLERANCES UNLESS OTHERWISE SPECIFIED:		APVD	P DESANTIS	1/25/96													
<table border="0"> <tr><td>0 PLC</td><td>± -</td></tr> <tr><td>1 PLC</td><td>± -</td></tr> <tr><td>2 PLC</td><td>± 0.38 [.015]</td></tr> <tr><td>3 PLC</td><td>± -</td></tr> <tr><td>4 PLC</td><td>± -</td></tr> <tr><td>ANGLES</td><td>± -</td></tr> </table>		0 PLC	± -	1 PLC		± -	2 PLC	± 0.38 [.015]	3 PLC	± -	4 PLC	± -	ANGLES	± -	PRODUCT SPEC	NAME	
0 PLC	± -																
1 PLC	± -																
2 PLC	± 0.38 [.015]																
3 PLC	± -																
4 PLC	± -																
ANGLES	± -																
MATERIAL	SEE TABLE	FINISH	SEE TABLE	WEIGHT	-												
CUSTOMER DRAWING		SIZE	A3	CAGE CODE	00779												
		DRAWING NO	C-42618		RESTRICTED TO												
		SCALE	5:1	SHEET	1 OF 1												
		REV	G														

# Mouser Electronics

Authorized Distributor

Click to View Pricing, Inventory, Delivery & Lifecycle Information:

[TE Connectivity:](#)

[42618-2](#)