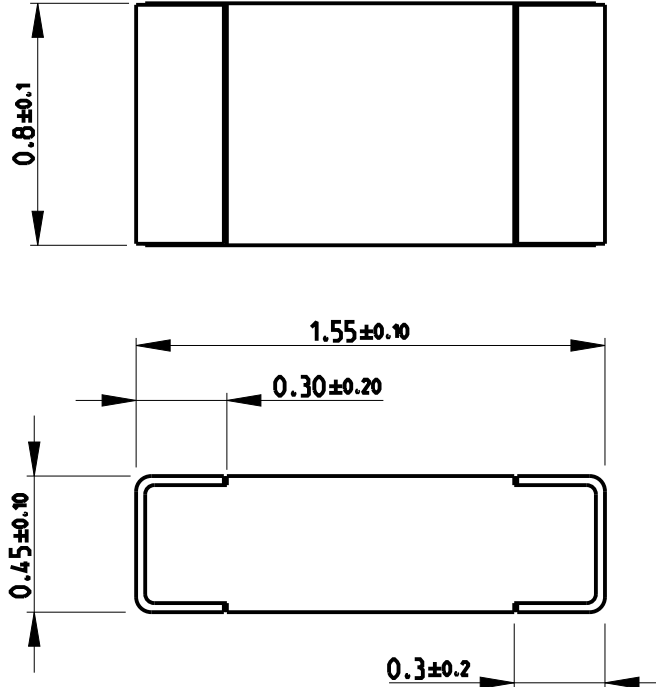
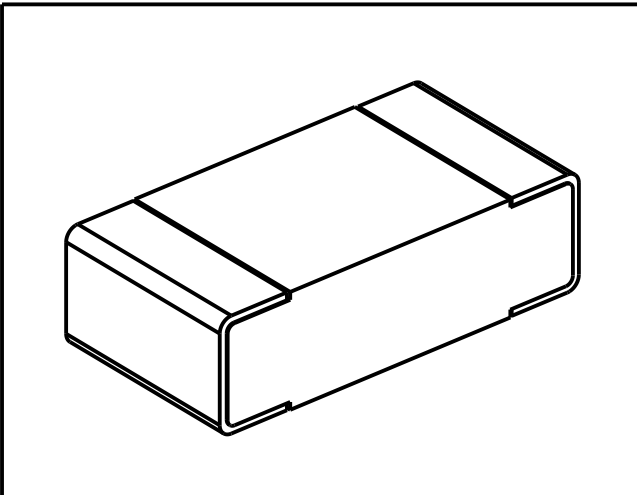


LOC	DIST	REVISIONS					
E	B	P	LTR	DESCRIPTION	DATE	DWN	APVD
		BA2	ECR-14-009193		19JUN2014	KR	TN

FOR FURTHER INFORMATION SEE DATA SHEET FOR CPF SERIES-THIN FILM PRECISION CHIP RESISTORS



RoHS Compliant




2008

RELEASED FOR PUBLICATION

ALL RIGHTS RESERVED.

© COPYRIGHT 2008

THIS DRAWING IS UNPUBLISHED.

DIMENSIONS: mm		DWN SUBHASH.M 29-Sep-08	MATERIAL	FINISH
TOLERANCES UNLESS OTHERWISE SPECIFIED:		CHK PRAKASH.S 29-Sep-08	 <b>TE Connectivity</b>	
0 PLC $\pm 0.2$ 1 PLC $\pm 0.1$ 2 PLC $\pm -$ 3 PLC $\pm -$ 4 PLC $\pm -$ ANGLES $\pm 5^\circ$		APVD STEPHEN.P 29-Sep-08		
PRODUCT SPEC		-	NAME THIN FILM PRECISION CHIP RESISTORS SERIES CPF 0603	
APPLICATION SPEC		-	SIZE	CAGE CODE
WEIGHT		-	A 4	00779
Customer Drawing		-	DRAWING NO	RESTRICTED TO
		-	C- 1879338	-
		SCALE	SHEET	REV
		40:1	1 OF 1	BA2

# Mouser Electronics

Authorized Distributor

Click to View Pricing, Inventory, Delivery & Lifecycle Information:

[TE Connectivity:](#)

[2-1879338-6](#)