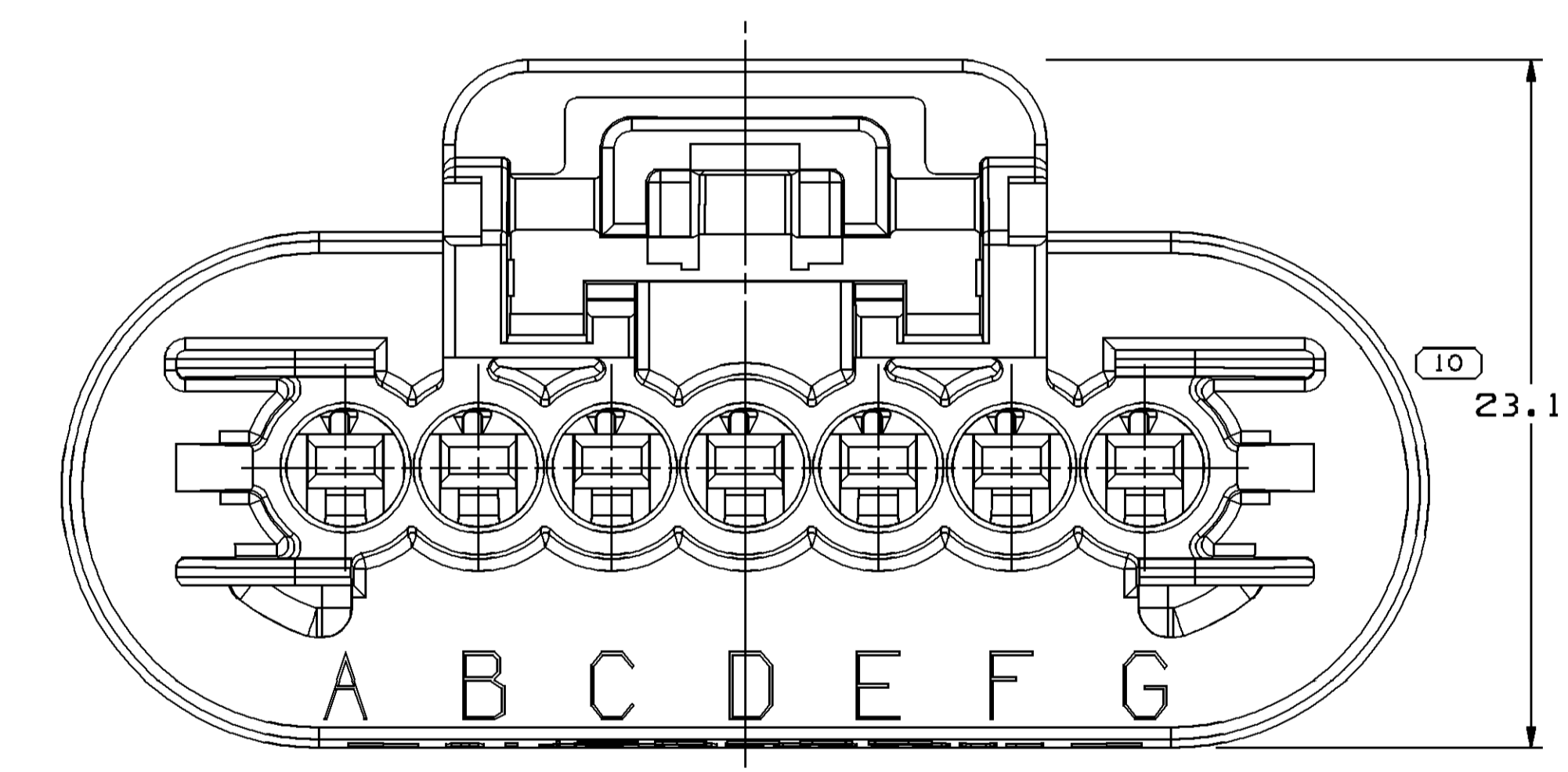
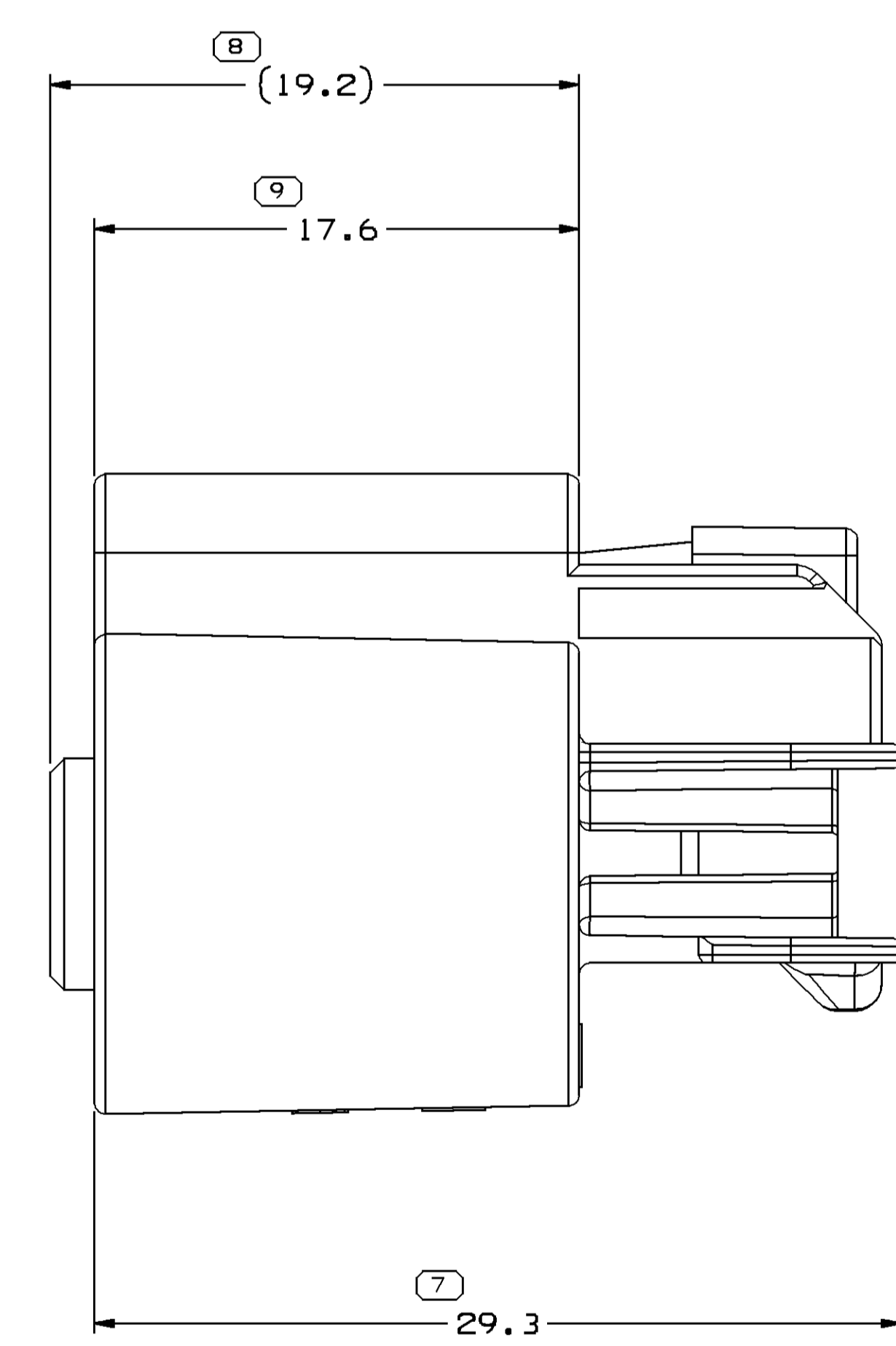
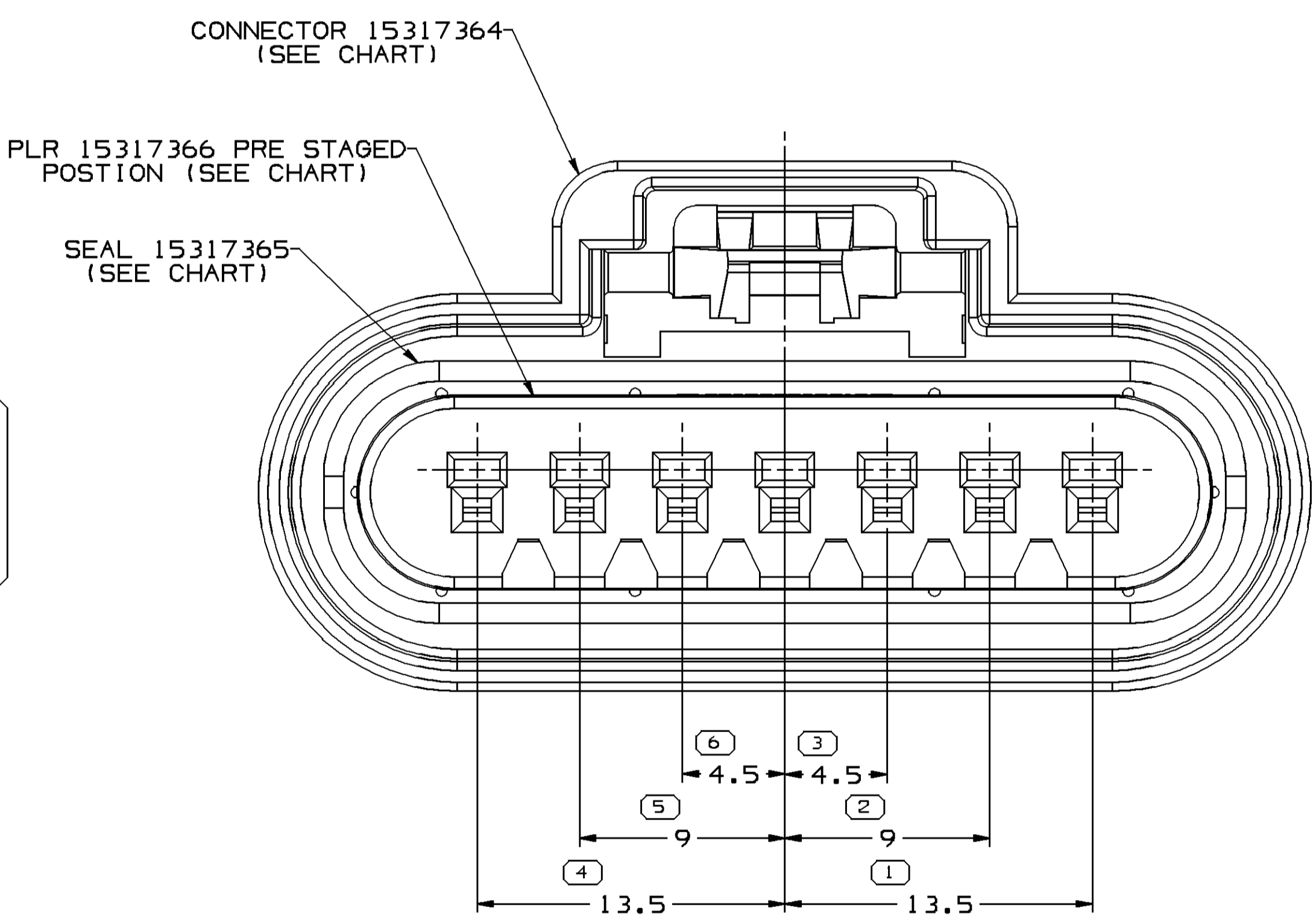
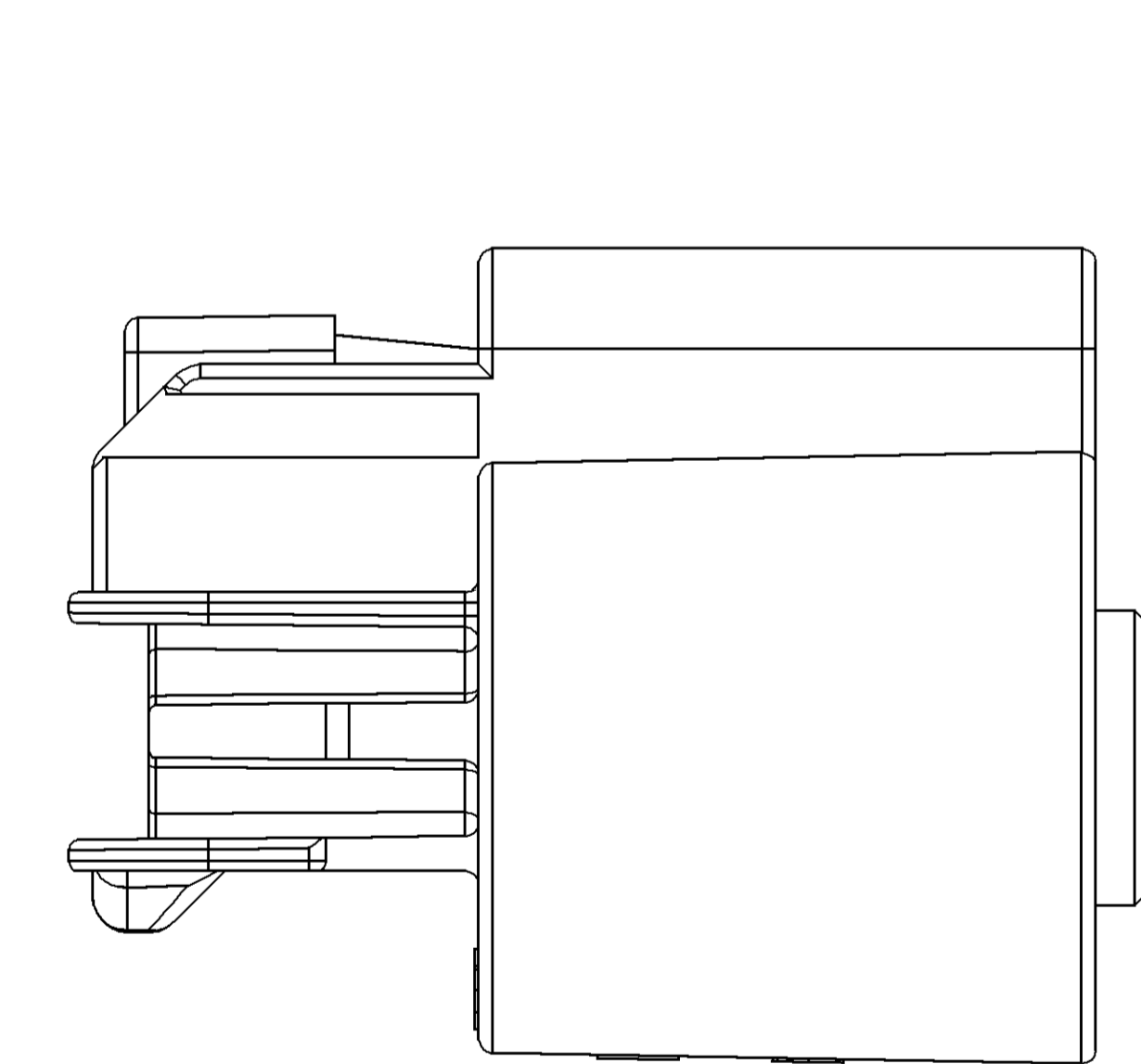
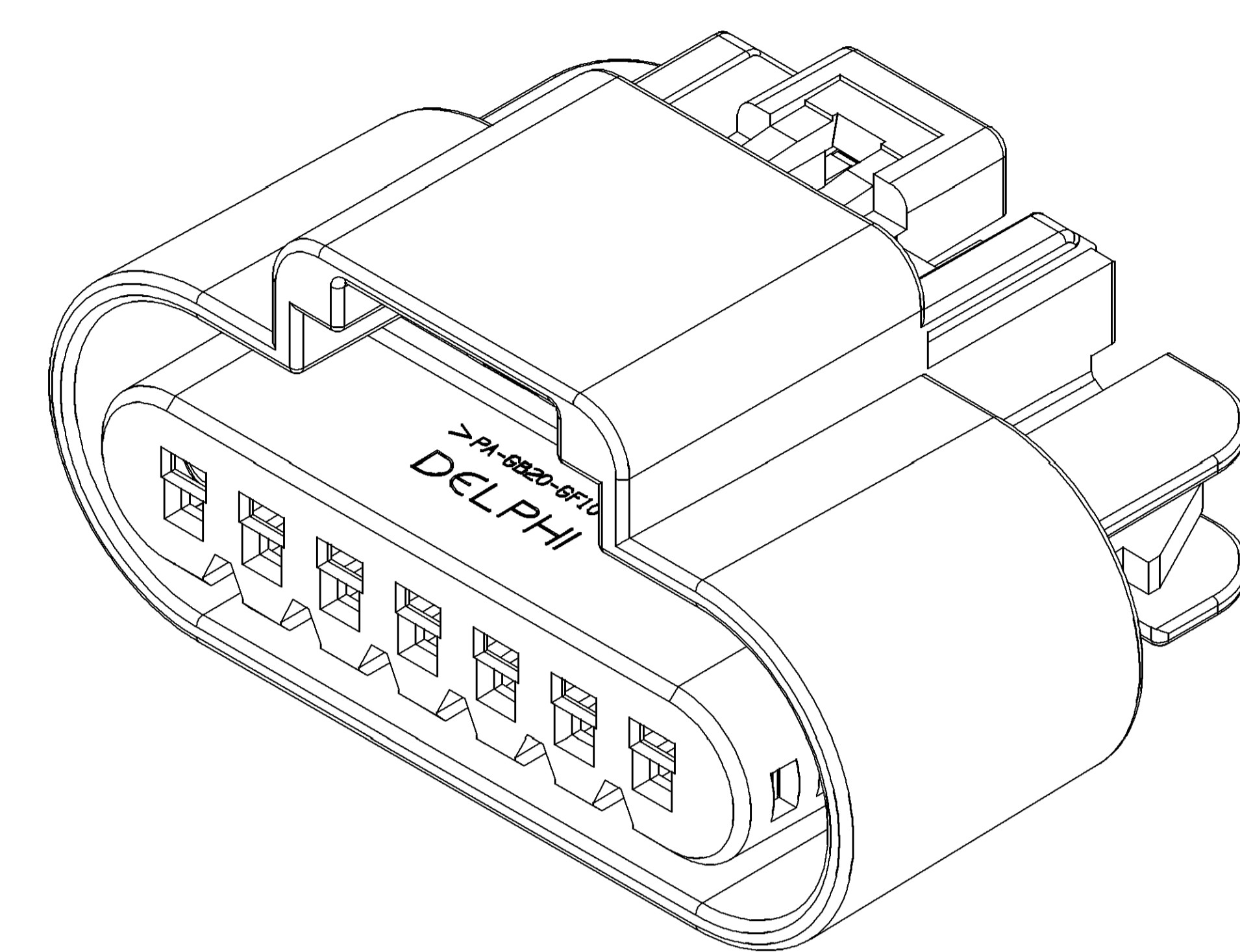
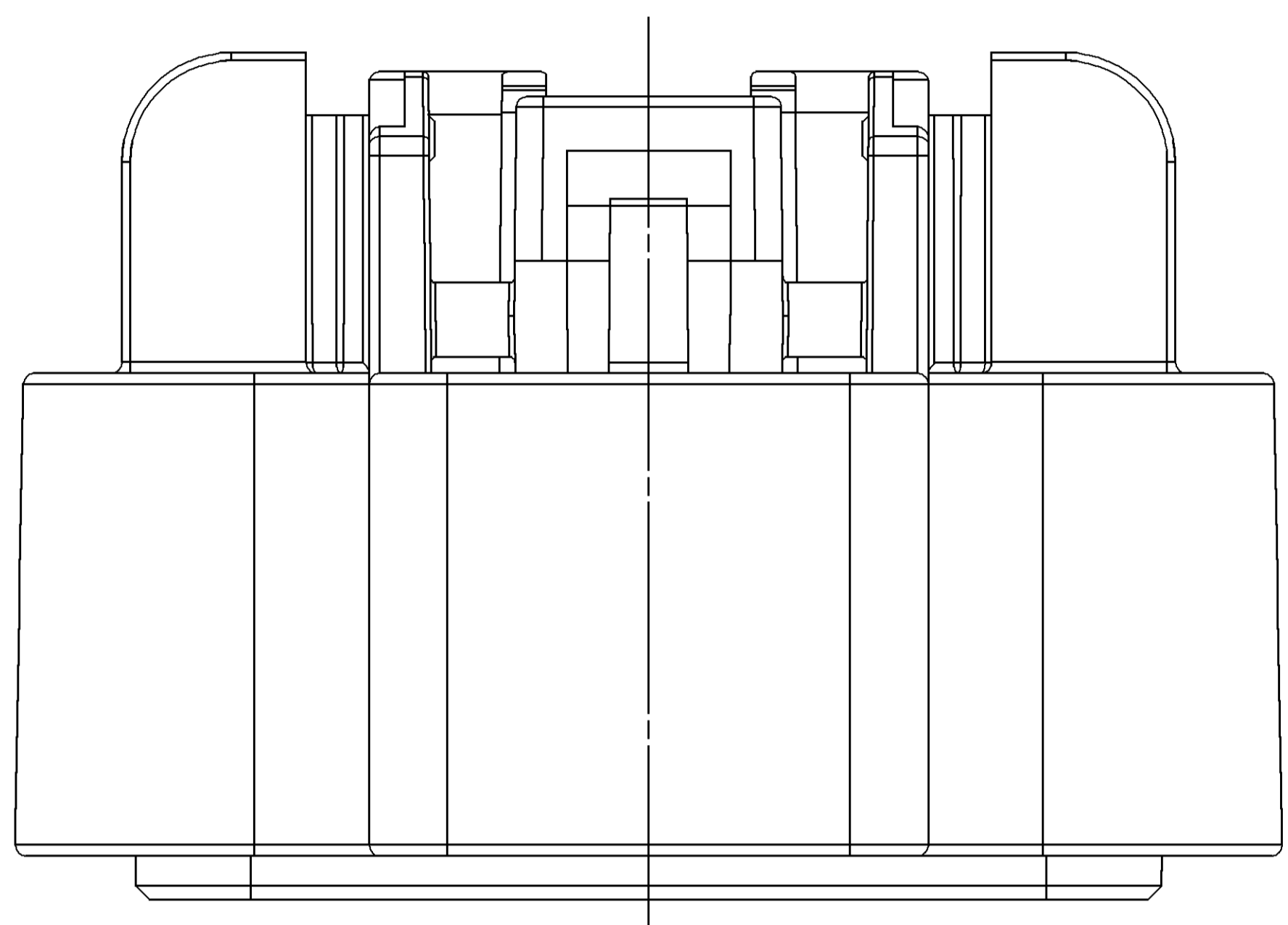


| SYMBOL DEFINITION   |                                  |    | MISSING SYMBOLS          |  |
|---|----------------------------------|----|--------------------------|--|
| A DIMENSION WITHOUT AN INSPECTION REPORT SYMBOL ( ) OR ( ) DOES NOT REQUIRE INSPECTION. IT MAY BE CONTROLLED ON THE INDIVIDUAL COMPONENT DRAWING.   | TOTAL NO OF INSPECTIONS REQUIRED | 10 | NO MISSING SYMBOL NUMBER |  |
| ( ) INDICATES THE DIMENSION IS SHOWN ON THE PART DRAWING AND THE TOOL MUST BE QUALIFIED AT 80% OF THE TOLERANCE SHOWN UNLESS SUPERSEDED BY A "TBT". | LAST NO. USED                    | 10 |                          |  |

| DWG STATUS |     |     |     | REVISION HISTORY |      |   |  | AUTH |  | DR     |     | AP/VD |     |
|------------|-----|-----|-----|------------------|------|---|--|------|--|--------|-----|-------|-----|
| DATE       | STG | REV | N/P | CHG              | ZONE |   |  |      |  |        |     |       |     |
| 20M197     | R   | A   | -   | -                | -    | WAS PE060743 AND RELEASED                                 |  |      |  | 970005 | END | END   | END |
| 16N005     | R   | 01  | AA  | -                | -    | MATING TERMINAL 15326264 WAS 1219181B AND UPDATED DRAWING |  |      |  | 274709 | MM  | MM    | LN  |
| 15DE05     | R   | A2  | -   | -                | -    | A1 FOR CHANGE NOTICE 274709 WAS 01 AA                     |  |      |  | 275347 | MM  | MM    | LN  |
| 23MR07     | R   | A3  | -   | -                | -    | UPDATED PDM ATTRIBUTES                                    |  |      |  | 400945 | EF5 | FRG   | GG1 |



- NOTES**
- UNLESS OTHERWISE SPECIFIED AND/OR INDICATED:  
DIMENSIONS ARE TO FACE OF VIEW SHOWN AND AUTOMATICALLY ROUNDED BY COMPUTER FOR INSPECTION (SEE MATH MODEL FOR PRECISE DIMENSIONS). FOR ALL OTHER DIMENSIONS NOT SHOWN BUT REQUIRED FOR TOOL BUILD, SEE MATH MODEL FOR PRECISE TOOL PATH DATA.
  - THIS PART ACCEPTS THE FOLLOWING COMPONENTS OR EQUIVALENT:  
ASSEMBLY CONNECTOR 15359189  
TERMINAL 15326264  
CONNECTOR POSITION ASSURANCE LOCK 15317832  
TERMINAL POSITION ASSURANCE LOCK 15317368  
CABLE SEAL 15366021  
CAVITY PLUG 15305171
  - FOR MATING CONFIGURATION REQUIREMENTS, SEE DRAWING 15326553.
  - SEALING CODE 3.

| PART DRAWING  |            |       |      |      |       |       |       |       |       |          |
|---|------------|-------|------|------|-------|-------|-------|-------|-------|----------|
| STYLE   | D          |       |      |      |       |       |       |       |       |          |
| VOLUME 10/1   | DISTR CODE |       |      |      |       |       |       |       |       |          |
| UNLESS OTHERWISE SPECIFIED  |            |       |      |      |       |       |       |       |       |          |
| THIS DOCUMENT IS IN ACCORDANCE WITH ASME Y14.5M-1994 AS MODIFIED BY THE IN-SOURCE DIMENSIONING PRACTICES ADDENDUM-2003. SEPARATE MATTERS OF REFERENCE MAY BE OMBD SEPARATELY PERMISSIBLE OF DWTM REFERENCE. |            |       |      |      |       |       |       |       |       |          |
| ALL DIMENSIONS ARE IN MILLIMETERS   |            |       |      |      |       |       |       |       |       |          |
| REFERENCE   |            |       |      |      |       |       |       |       |       |          |
| (N/A) PROCESS SENSITIVE DIMENSION   |            |       |      |      |       |       |       |       |       |          |
| DIMENSIONS ENCLOSED IN ( ) INDICATE REFERENCE DIMENSIONS AND NO TOLERANCE LIMITS ARE ESTABLISHED  |            |       |      |      |       |       |       |       |       |          |
| DIMENSIONAL RANGE (MM)  |            |       |      |      |       |       |       |       |       |          |
| FROM  | > 0        | > 20  | > 30 | > 70 | > 100 | > 150 | > 200 | > 250 | > 300 | SHORT ET |
| TO  | 20         | 30    | 70   | 100  | 150   | 200   | 250   | 300   | 400   |          |
| TOLERANCE UNLESS OTHERWISE SPECIFIED  |            | ±0.15 |      | ±0.2 | ±0.3  | ±0.4  | ±0.5  | ±0.6  | ±0.8  | ±1       |
| ANGULAR TOLERANCE   |            | ±2°   |      | ±1°  |       | ±1.2° |       | ±1.5° |       |          |

**DELPHI**  
DELPHI PACKARD ELECTRICAL/ELECTRONIC ARCHITECTURE  
NAPER, OH

| DR               | DATE   |
|------------------|--------|
| APV01 E. LUQUENO | 20M197 |
| APV02 E. LUQUENO | 20M197 |
| APV03 A. UBALDE  | 21M197 |
| APV04            |        |
| APV05            |        |

THIS DOCUMENT IS IN ACCORDANCE WITH ASME Y14.5M-1994 AS MODIFIED BY THE IN-SOURCE DIMENSIONING PRACTICES ADDENDUM-2003. SEPARATE MATTERS OF REFERENCE MAY BE OMBD SEPARATELY PERMISSIBLE OF DWTM REFERENCE.

ALL DIMENSIONS ARE IN MILLIMETERS

REFERENCE

(N/A) PROCESS SENSITIVE DIMENSION

DIMENSIONS ENCLOSED IN ( ) INDICATE REFERENCE DIMENSIONS AND NO TOLERANCE LIMITS ARE ESTABLISHED

DIMENSIONAL RANGE (MM)

FROM > 0 > 20 > 30 > 70 > 100 > 150 > 200 > 250 > 300 SHORT ET

TO 20 30 70 100 150 200 250 300 400

TOLERANCE UNLESS OTHERWISE SPECIFIED

±0.15 ±0.2 ±0.3 ±0.4 ±0.5 ±0.6 ±0.8 ±1 ±1.2

ANGULAR TOLERANCE ±2° ±1° ±1.2° ±1.5°

THIRD ANGLE PROJECTION

DO NOT SCALE

USE MATH DATA

SCALE 5:1

FRAME NO 1 OF 1

SHEET NO 1 OF 1

REV R A3

DRAWING NAME  
ASM CONN 7 F 6T 150 BLK SLD

DRAWING NUMBER  
**15317367**

SIZE A0

| PART NO  | CONNECTOR | SEAL     | PLR      |
|----------|-----------|----------|----------|
| 15317367 | 15317364  | 15317365 | 15317366 |

# Mouser Electronics

Authorized Distributor

Click to View Pricing, Inventory, Delivery & Lifecycle Information:

[Aptiv:](#)  
[15317367](#)