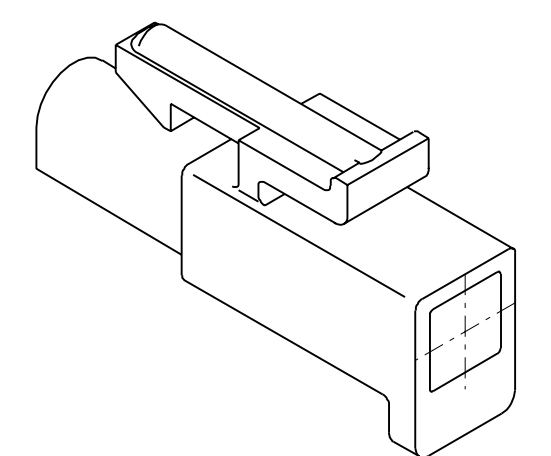
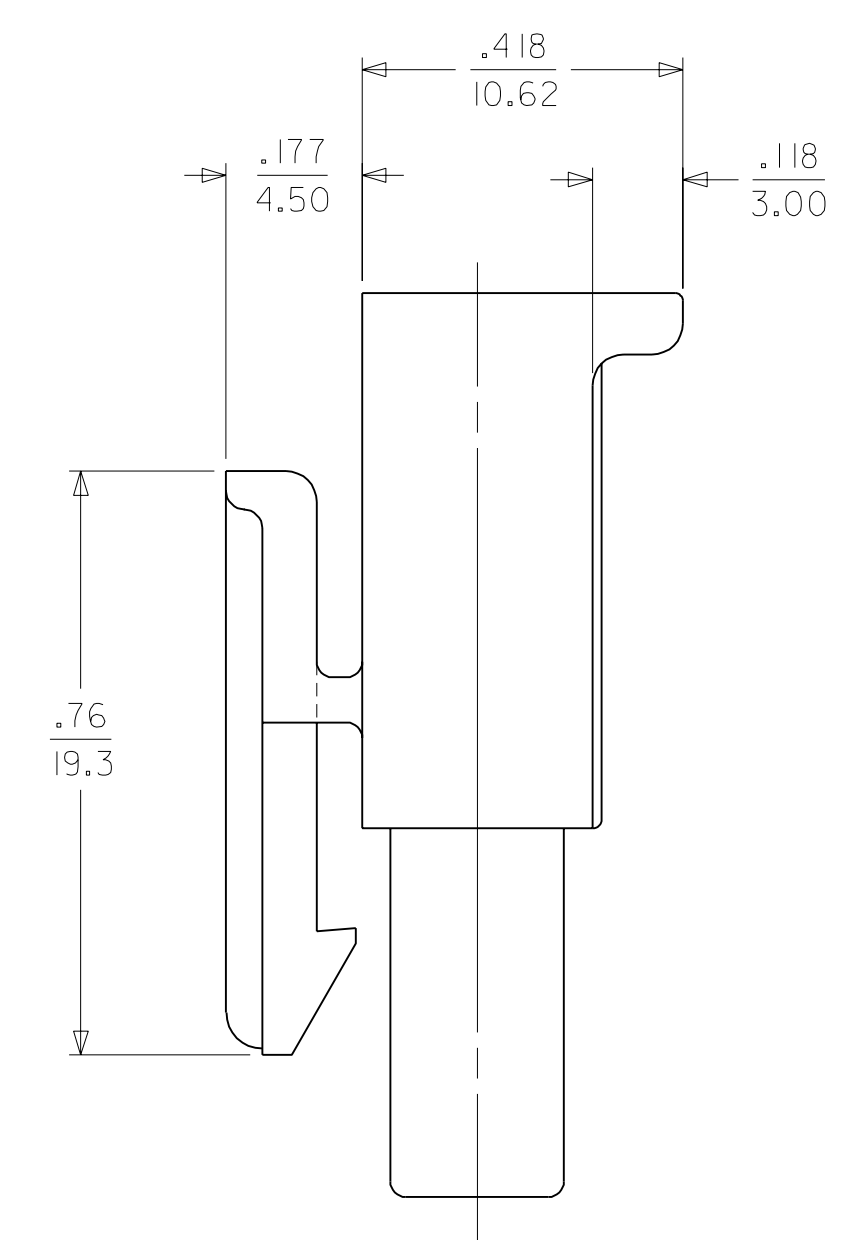
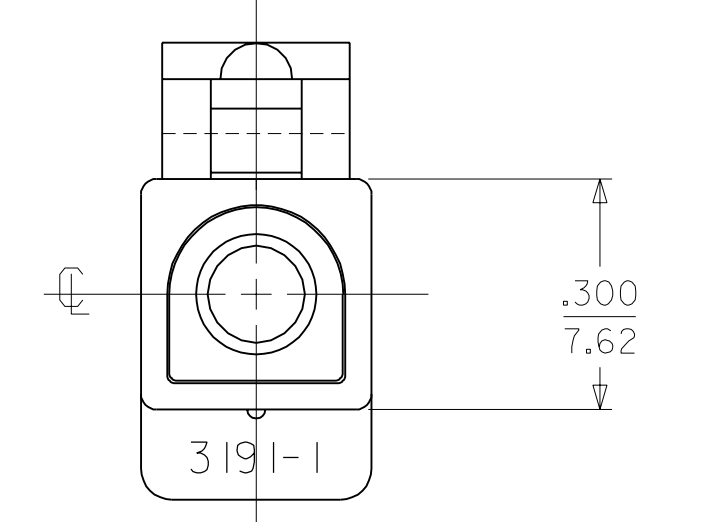
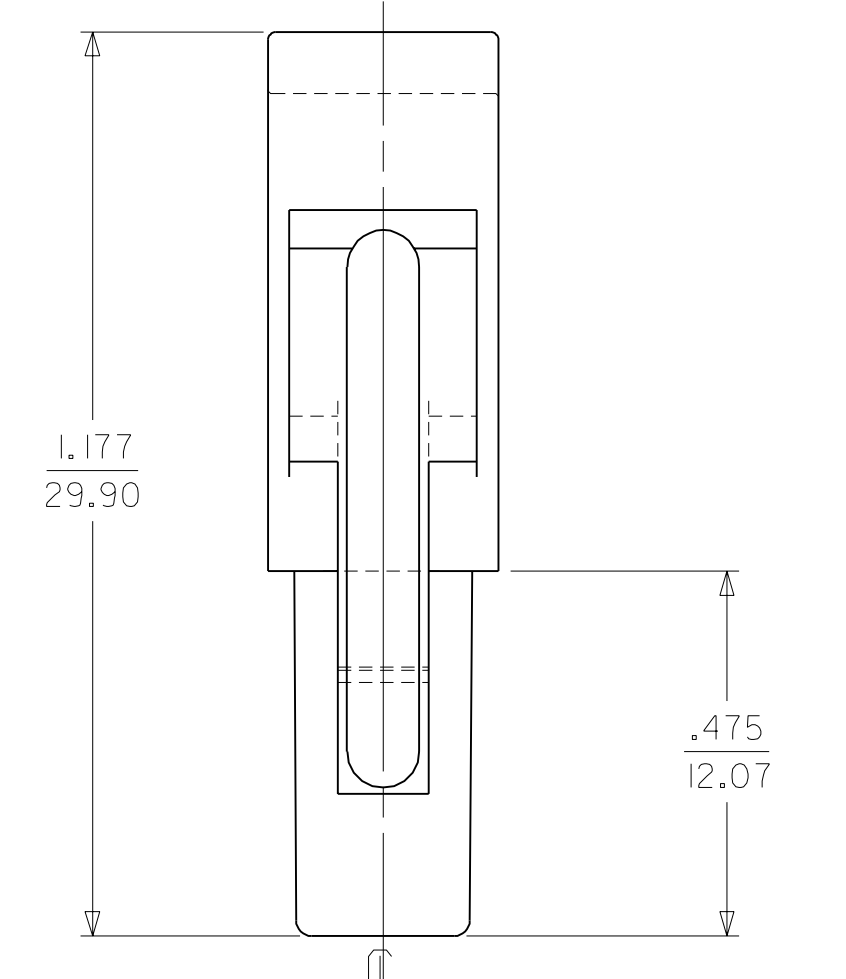
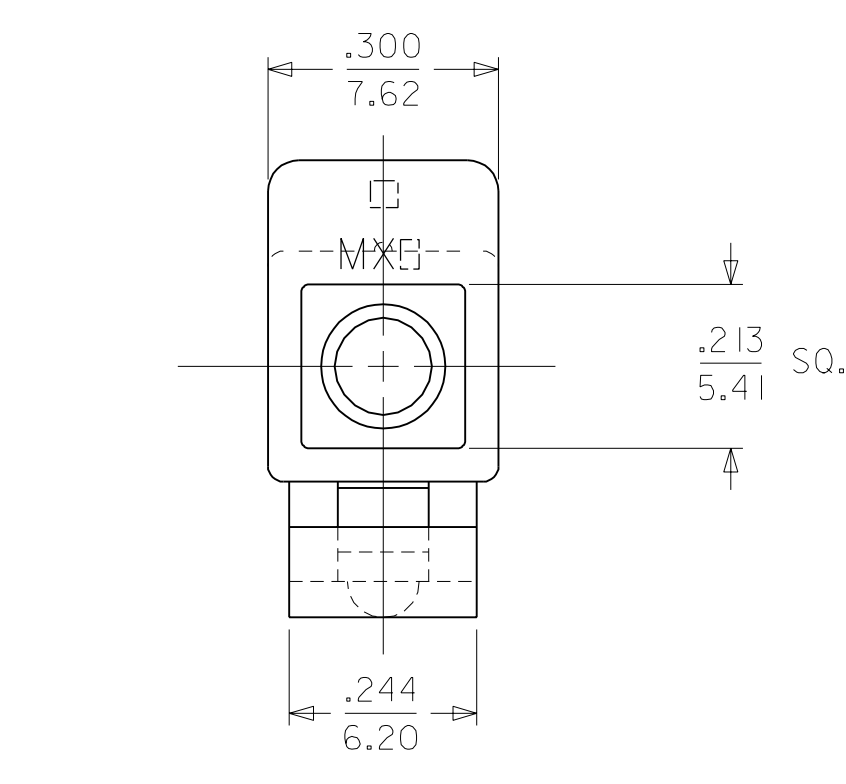


PLUG



RECEPTACLE

OBSOLETE 3191-1 IRD EC NO. JUCP2004-0423 DRWN: ELHAG 09/03/03 CHK: ELHAG 09/03/03 APPR: F SMITH 09/10/03	QUALITY SYMBOLS	GENERAL TOLERANCES: (UNLESS SPECIFIED)	SCALE 4 : 1	DESIGN UNITS <input type="checkbox"/> mm <input checked="" type="checkbox"/> INCH	THIRD ANGLE PROJECTION <input checked="" type="checkbox"/> THIRD ANGLE	DIMENSIONS: <input type="checkbox"/> mm <input checked="" type="checkbox"/> INCH <input type="checkbox"/> mm ONLY	2 E 1 E SHT REV REVISE ON CAD ONLY
	MAJOR = 0	4 PLACES ±0.--- ±.---	DRAWN BY & DATE JBS 06/10/03	TITLE: .093/(2.36) HOUSING, PLUG AND RECEPTACLE, 1 - CIRCUIT			
	CRITICAL C = 0	3 PLACES ±0. ±.010	CHECKED BY & DATE BW 06/13/03	MOLEX INCORPORATED			
		2 PLACES ±0.25 ±.014	APPROVED BY & DATE BW 06/16/03	CAD FILENAME SD-3191-1.DGN	MATERIAL NO. SEE CHART	DRAWING NO. SD-3191-1*	SHEET NO. 1 of 2
		1 PLACE ±0.36 ±.	ANGULAR: ± 1°	THIS DRAWING CONTAINS INFORMATION THAT IS PROPRIETARY TO MOLEX INCORPORATED AND SHOULD NOT BE USED WITHOUT WRITTEN PERMISSION.			
REV	DESCRIPTION	DRAFT WHERE APPLICABLE MUST REMAIN WITHIN DIMENSIONS		SIZE C			

PLUG		RECEPTACLE		
PART NO.	ENG. NO.	PART NO.	ENG. NO.	
19-09-2018	3191-IP	19-09-1019	3191-IR1	
19-09-2019	3191-IP1	19-09-1016	3191-IR1-201	
19-09-2017	3191-IP-201	19-09-6010	3191-IRIRD	OBSOLETE
19-09-2016	3191-IP1-201	19-09-6011	3191-IRIBU	
19-09-2015	3191-IPRD			

LEGEND

3191-1****-*

CIRCUIT SIZE

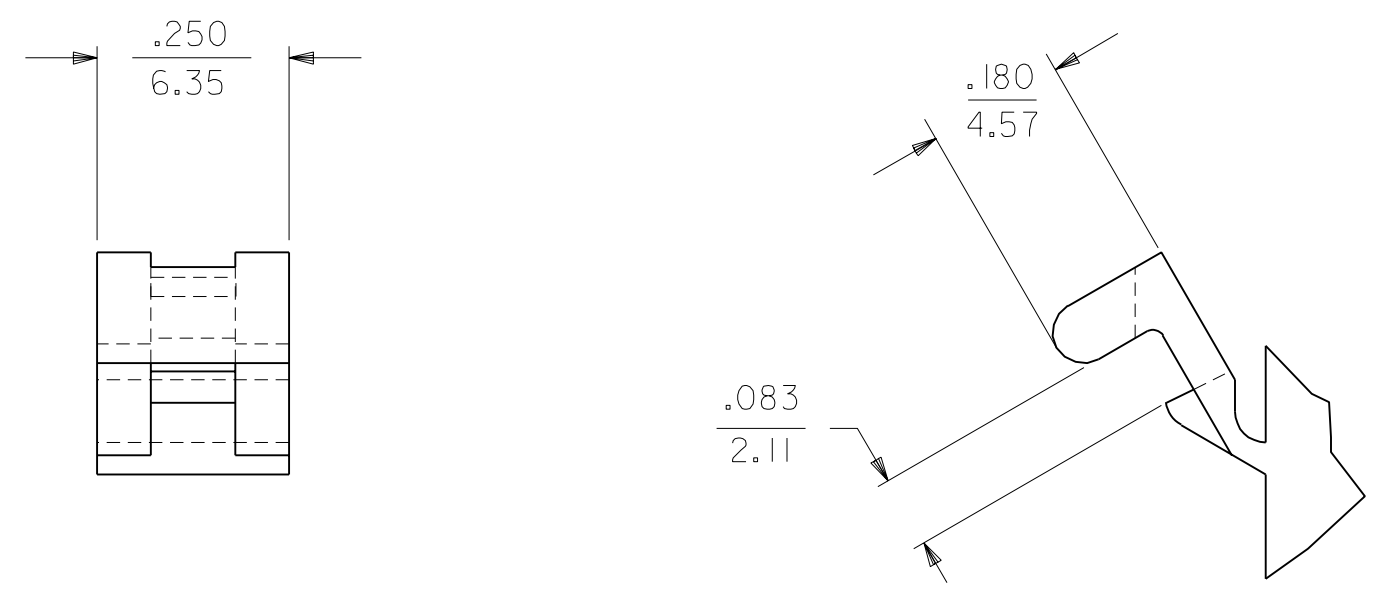
P = PLUG
R = RECEPTACLE

EARS: BLANK = WITH PREBENT EARS (PLUG ONLY)
I = WITHOUT EARS

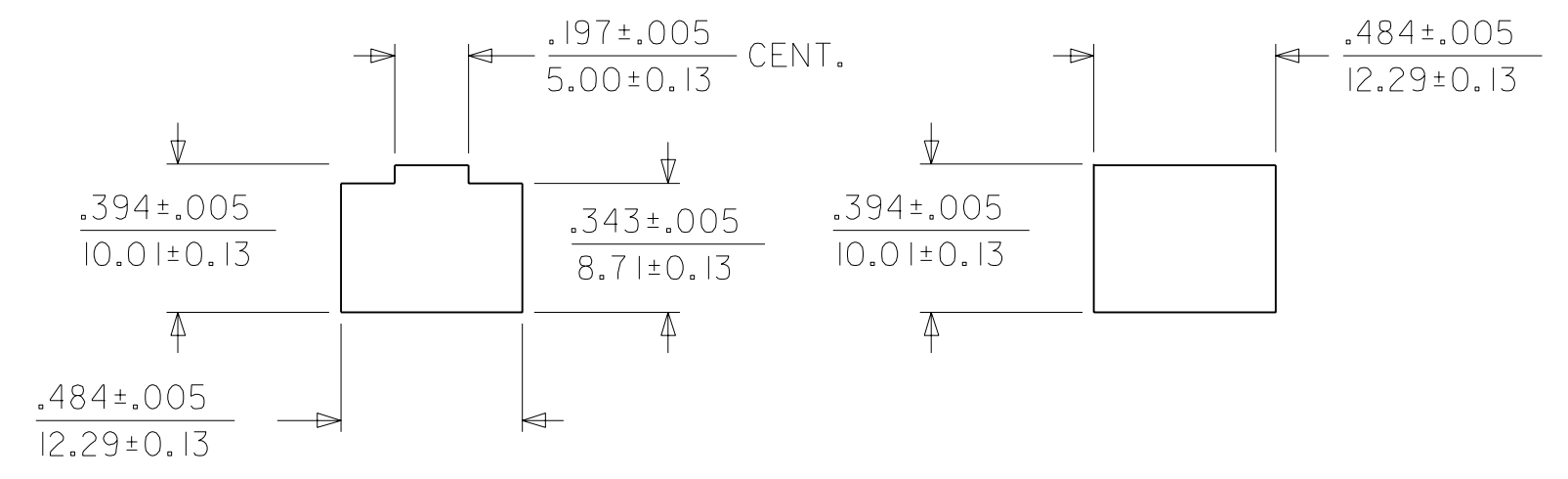
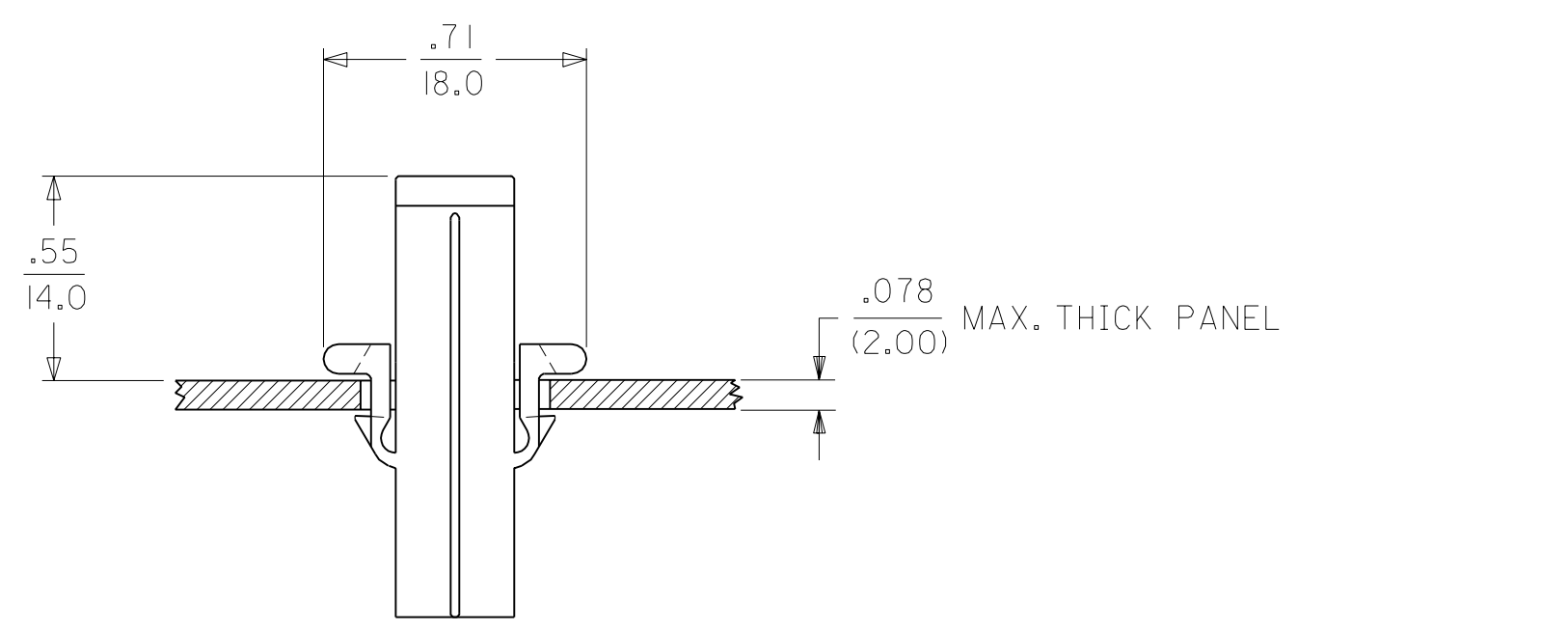
COLOR: BLANK = NATURAL COLOR

AM=AMBER BK=BLACK BU=BLUE
BN=BROWN GY=GRAY GN=GREEN
OR=ORANGE RD=RED YW=YELLOW

MATERIAL: PER NOTE 1.



DETAIL "A"
PREBENT MOUNTING EAR
(SCALE 4:1)



NOTES:

- MATERIAL:
"BLANK" - NYLON TYPE 6/6, 94V-2. COLOR: NATURAL.
201 - NYLON TYPE 6/6, 94V-0. COLOR: WHITE.
- FINISH: NONE.

DIMENSIONS SHOWN (METRIC) INCH		▽ = 0 ▼ = 0		REVISE ONLY ON CAD SYSTEM	
UNLESS OTHERWISE SPECIFIED TOLERANCES: ANGULAR ± 10°		TITLE		.093/(2.36) HOUSINGS PLUG AND RECEPTACLE 1 CIRCUIT	
3 PLACE ± .010 ---		INCH		MOLEX INCORPORATED	
2 PLACE ± .014 ± 0.25		METRIC		SHEET NO. 2 DATE 06/10/03	
1 PLACE --- ± 0.36		DRAFT WHERE APPLICABLE MUST REMAIN WITHIN DIMENSIONS		L1SL.E,ILL. 60532 U.S.A.	
E SEE SHEET 1		DRWG. NO.		SD-3191-1*	
D4 SEE SHEET 1		DRWG. BY		SEE CHART	
LTR. REVISIONS		APP'D. BY		FILE NAME	
		SCALE		H31911X2 DGN	
				THIS DRAWING CONTAINS INFORMATION THAT IS PROPRIETARY TO MOLEX INC. AND SHOULD NOT BE USED WITHOUT WRITTEN PERMISSION.	
				DIV. CP	
				SIZE C	