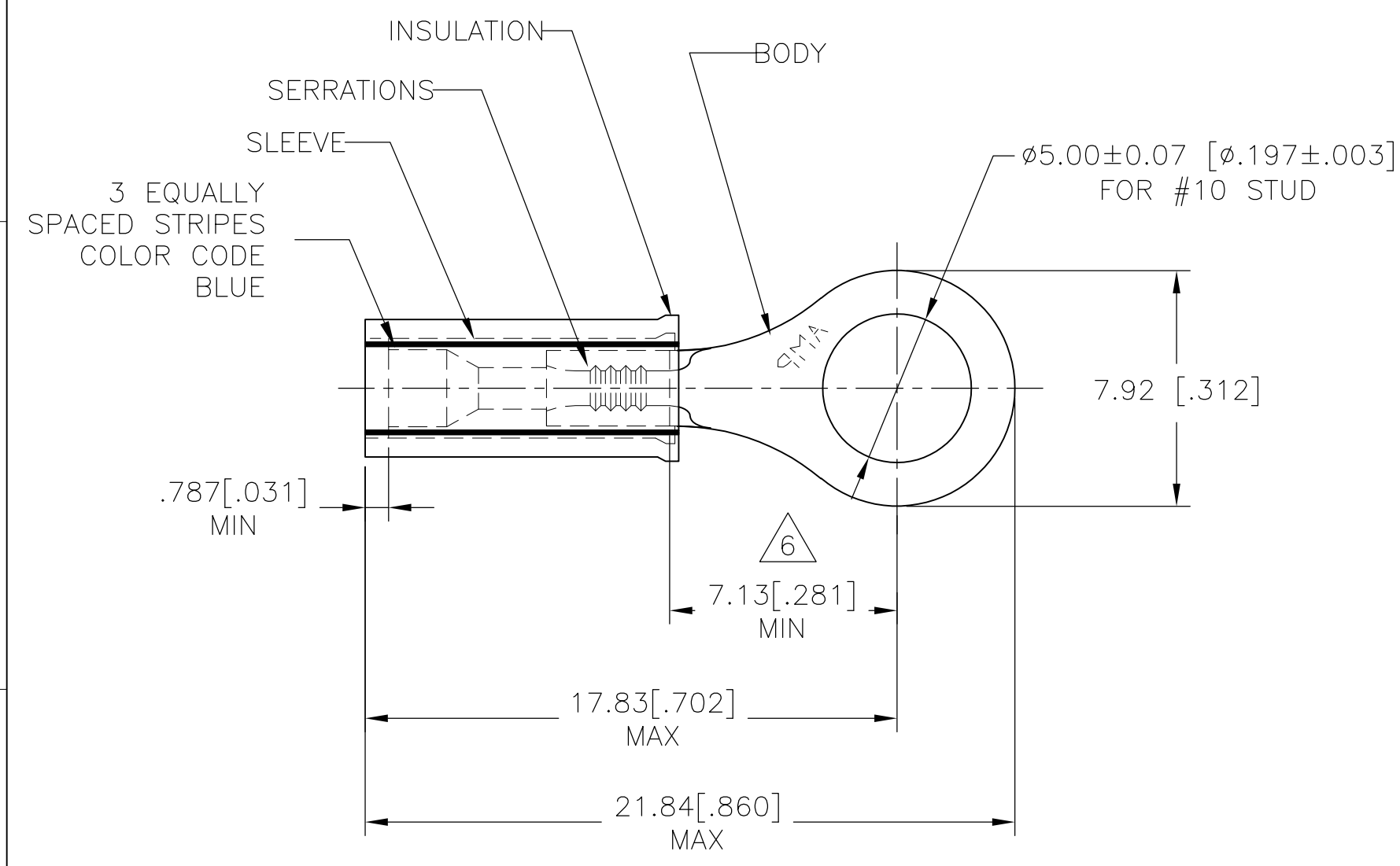


THIS DRAWING IS UNPUBLISHED. RELEASED FOR PUBLICATION
 © COPYRIGHT - By - ALL RIGHTS RESERVED.

REVISIONS				
P	LTR	DESCRIPTION	DATE	APVD
G1		REVISED PER ECO-16-014993	19OCT2016	RS DR



- 1 MUST BE CRIMPED WITH A 22-18 OR 22-16 PIDG (RED) TOOL.
- 2 WIRE INSULATION DIA: 0.79-1.34 [.031-.055.]
- 3 TONGUE MATERIAL THK: 0.69±0.05 [.027±.002.]
- △4 BODY & SLEEVE: TIN 0.00254 [.000100] MIN THK PER ASTM B545.
- △5 MATERIAL: BODY & SLEEVE- CU PER ASTM B152 INSULATION - NYLON PER ASTM D4066 COLOR - YELLOW.
- △6 APPLIES FROM EDGE OF METAL BARREL TO THE CENTER OF STUD HOLE.
- △7 MEETS M7928/1-10, CLASS 1 & 2.

1000	LOOSE PIECE	△7 53057
QTY	PACKAGE TYPE	PART NO.

CUSTOMER SERVICE SYSTEMS	
FOR ADDITIONAL PRODUCT INFORMATION OR COPIES OF DRAWINGS AND TECHNICAL DOCUMENTS	PRODUCT INFORMATION CENTER 1-800-522-6752
FOR APPLICATION TOOLING INFORMATION	TOOLING ASSISTANCE CENTER 1-800-722-1111
FOR ORDER ENTRY	1-800-526-5142

MAX RECOMMENDED OPERATING TEMPERATURE: 105°C [221°F] MAX
VOLTAGE RATING: 300 V MAX
CIRCULAR MIL AREA: 0.10-0.26mm² [202-509] STRANDED

THIS DRAWING IS A CONTROLLED DOCUMENT.	
DIMENSIONS: mm [INCHES]	TOLERANCES UNLESS OTHERWISE SPECIFIED:
	0 PLC ± -
	1 PLC ± -
	2 PLC ± 0.20 [.008]
	3 PLC ± -
	4 PLC ± -
	ANGLES ± -
MATERIAL	FINISH
△4	△5

DWN	JR RUTH	14JAN10
CHK	T MICHIELUTTI	15JAN10
APVD	T MICHIELUTTI	15JAN10
PRODUCT SPEC	---	
APPLICATION SPEC	---	
WEIGHT	---	

STE TE Connectivity			
NAME TERMINAL, RING TONGUE, PIDG, INSULATION RESTRICTING WIRE SIZE: 24 AWG			
SIZE	CAGE CODE	DRAWING NO	RESTRICTED TO
A3	00779	C-53057	---
CUSTOMER DRAWING		SCALE 5:1	SHEET 1 OF 1 REV G1

Mouser Electronics

Authorized Distributor

Click to View Pricing, Inventory, Delivery & Lifecycle Information:

[TE Connectivity:](#)

[53057](#)