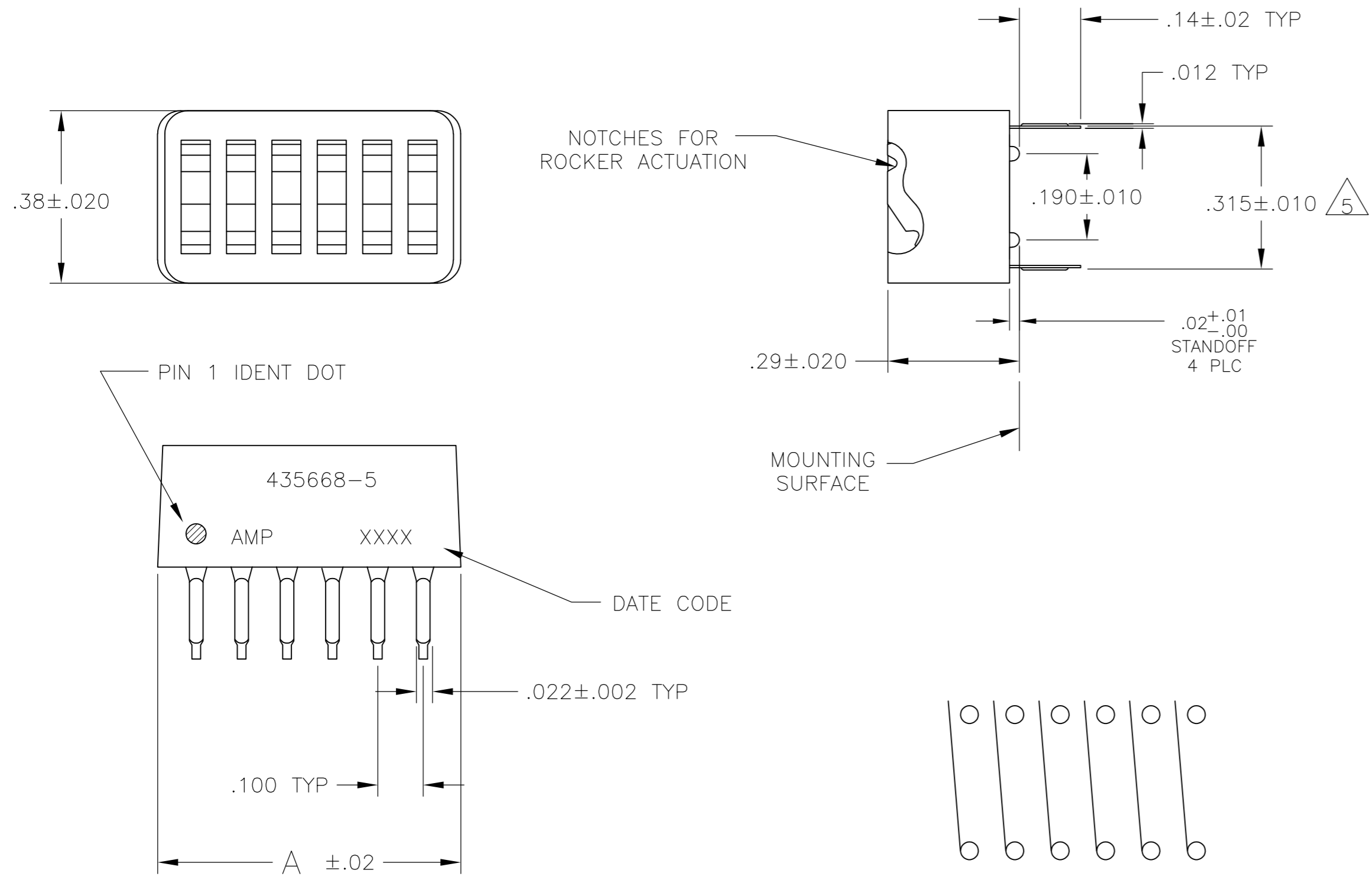


THIS DRAWING IS UNPUBLISHED. RELEASED FOR PUBLICATION
 © COPYRIGHT - By - ALL RIGHTS RESERVED.

LOC		DIST		REVISIONS			
P	LTR	DESCRIPTION		DATE	DWN	APVD	
AD	00	A2	REVISED PER ECO-11-004917		11MAR11	RK	HMR



- FOR ADDITIONAL SPECIFICATIONS SEE AMP PRODUCT SPEC 108-7532.
- SWITCH SHOWN IN OPEN POSITION.
- ALL CHARACTERS AND ROCKERS ARE WHITE, HOUSING IS BLUE.
- STAMPING WILL VARY ON 2 AND 3 POSITION SIDES DUE TO SPACE RESTRICTIONS.
- .315 DIMENSION APPLIES AT TERMINAL TIPS. TERMINALS ARE .300 +.010 AT MOUNTING SURFACE. -.000
- ALL MATERIALS AND FINISHES SHALL COMPLY WITH EU DIRECTIVE 2002 /95/EC OF 27JAN2003 (ROHS).
- MATERIAL: HOUSING AND ROCKERS - POLYESTER CONTACT & SOLDER LEAD - COPPER ALLOY
- FINISH: CONTACT - GOLD OVER NICKEL SOLDER LEAD - TIN OVER NICKEL
- OBSOLETE PARTS: OBSOLETE CIS STREAMLINING PER D.RENAUD/D.SINISI

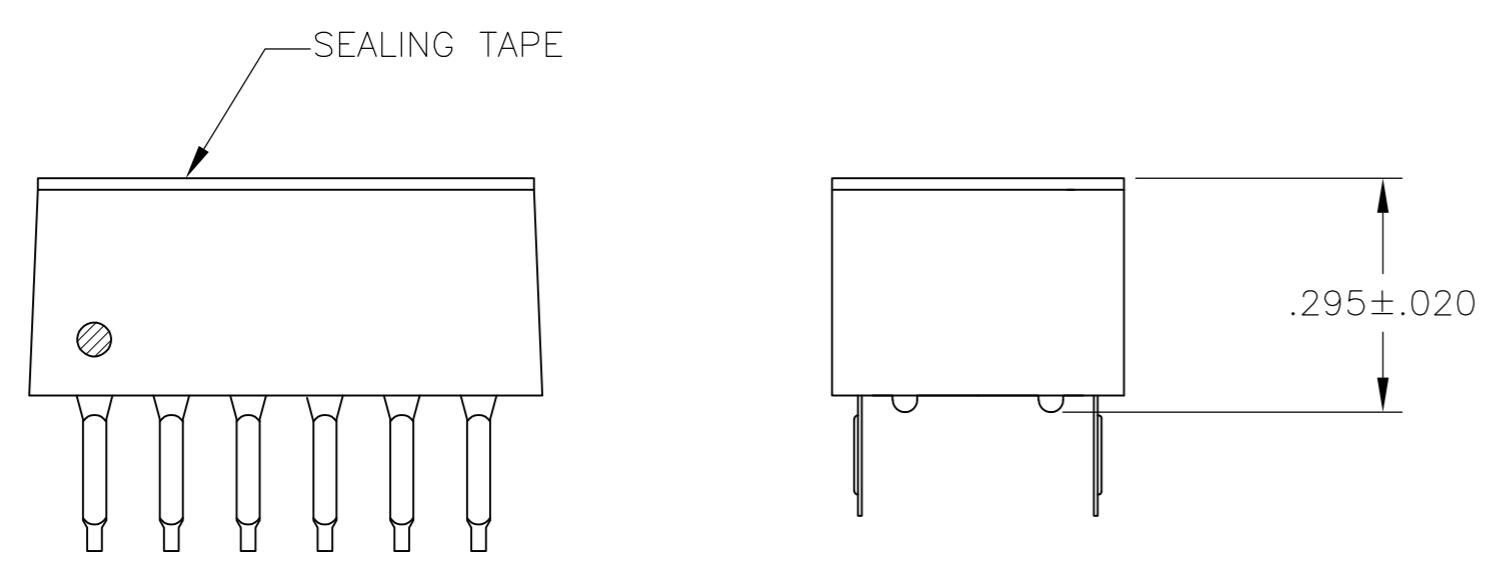
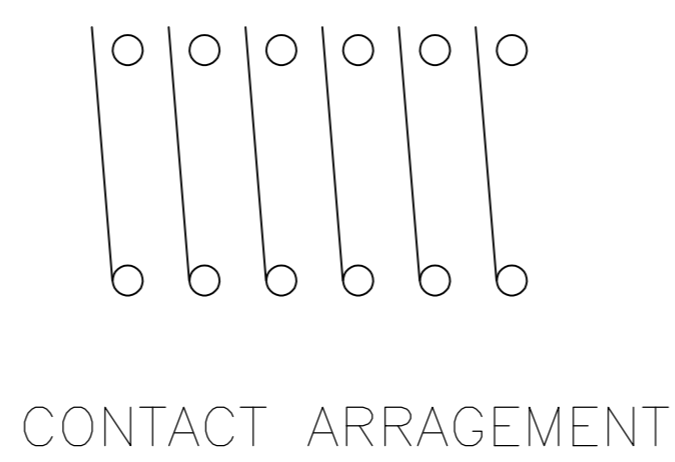
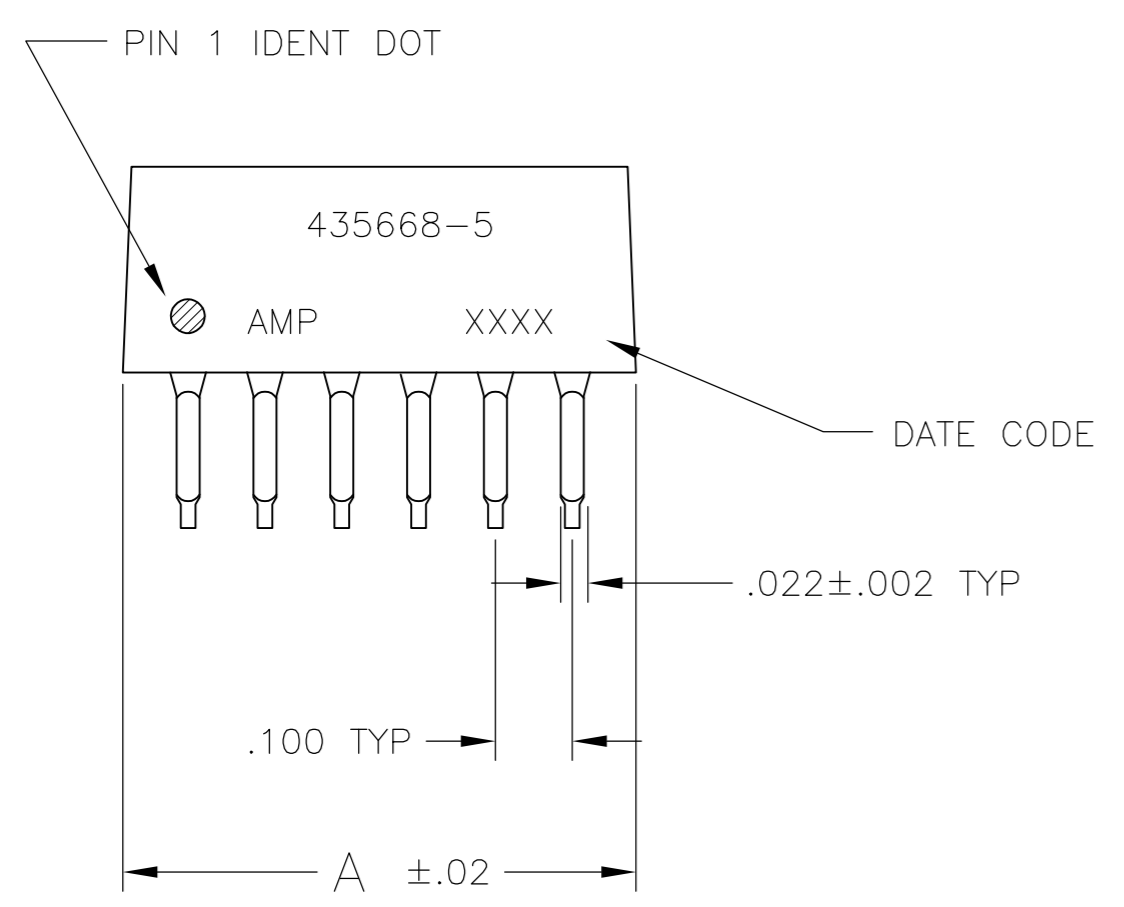


FIG 1

FIG	DESCRIPTION	QTY	UNIT	REF	PART NO
7	OBSOLETE	1	FIG 7	5	8-5435668-7
1	OBSOLETE	5	5	5	3-5435668-5
		4	4	4	3-5435668-4
		3	3	3	3-5435668-3
		12	12	12	3-5435668-12
		11	11	11	3-5435668-11
		10	10	10	3-5435668-10
		9	9	9	2-5435668-9
		8	8	8	2-5435668-8
		7	7	7	2-5435668-7
		2	2	2	2-5435668-2
2	OBSOLETE	6	6	6	2-5435668-6
		10	10	10	5435668-10
		8	8	8	5435668-8
		5	5	5	5435668-5
		4	4	4	5435668-4
2	OBSOLETE	4	4	4	5435668-4
		2	2	2	5435668-2

THIS DRAWING IS A CONTROLLED DOCUMENT.		DWN BSV	OBJAN05	TE Connectivity	
DIMENSIONS: INCHES	TOLERANCES UNLESS OTHERWISE SPECIFIED:	CHK -	APVD -	NAME	
	0 PLC ± -	PRODUCT SPEC	SWITCH ASSY, DIP, TYPE C, 7100 SERIES, SPST, LOW PROFILE		
	1 PLC ± -	APPLICATION SPEC	SIZE	CAGE CODE	DRAWING NO
MATERIAL	FINISH	WEIGHT	A2	00779	C=5435668
CUSTOMER DRAWING		SCALE	4:1	SHEET	1 of 2

THIS DRAWING IS UNPUBLISHED. RELEASED FOR PUBLICATION
 © COPYRIGHT - By - ALL RIGHTS RESERVED.

LOC	DIST	REVISIONS					
		P	LTR	DESCRIPTION	DATE	DWN	APVD
AD	00	-	-	SEE SHEET 1	-	-	-

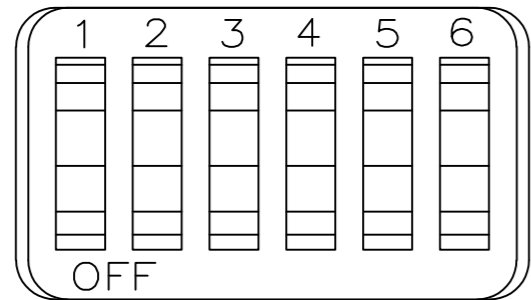


FIG 2

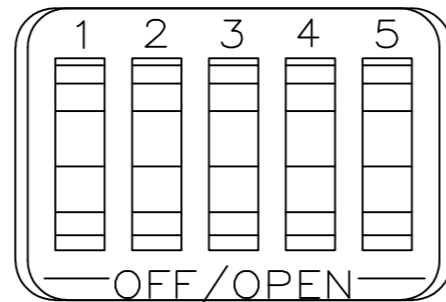


FIG 7

THIS DRAWING IS A CONTROLLED DOCUMENT.		DWN	08JAN05			TE Connectivity	
DIMENSIONS: INCHES		BSV	-			SWITCH ASSY, DIP, TYPE C, 7100 SERIES, SPST, LOW PROFILE	
TOLERANCES UNLESS OTHERWISE SPECIFIED:		CHK	-		NAME		
0 PLC ± -		APVD	-		SIZE		
1 PLC ± -		PRODUCT SPEC	-		CAGE CODE		
2 PLC ± -		APPLICATION SPEC	-		DRAWING NO		
3 PLC ± .005		WEIGHT	-		RESTRICTED TO		
4 PLC ± -		MATERIAL	-		A2 00779 C=5435668		
ANGLES ± -		FINISH	-		SCALE 4:1 SHEET 2 of 2 REV A2		
CUSTOMER DRAWING							

Mouser Electronics

Authorized Distributor

Click to View Pricing, Inventory, Delivery & Lifecycle Information:

[TE Connectivity:](#)

[3-5435668-5](#)