

PART NAME

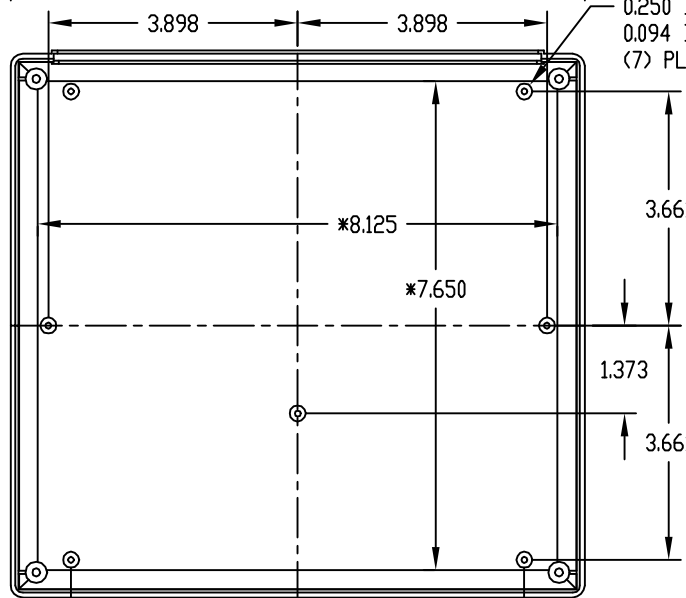
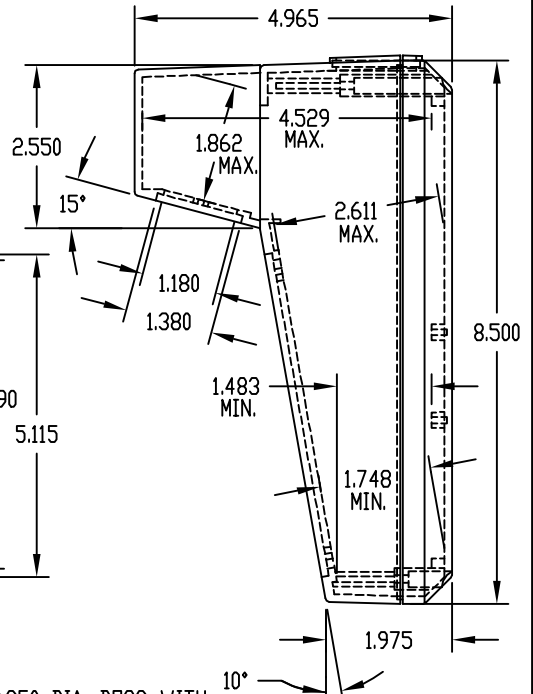
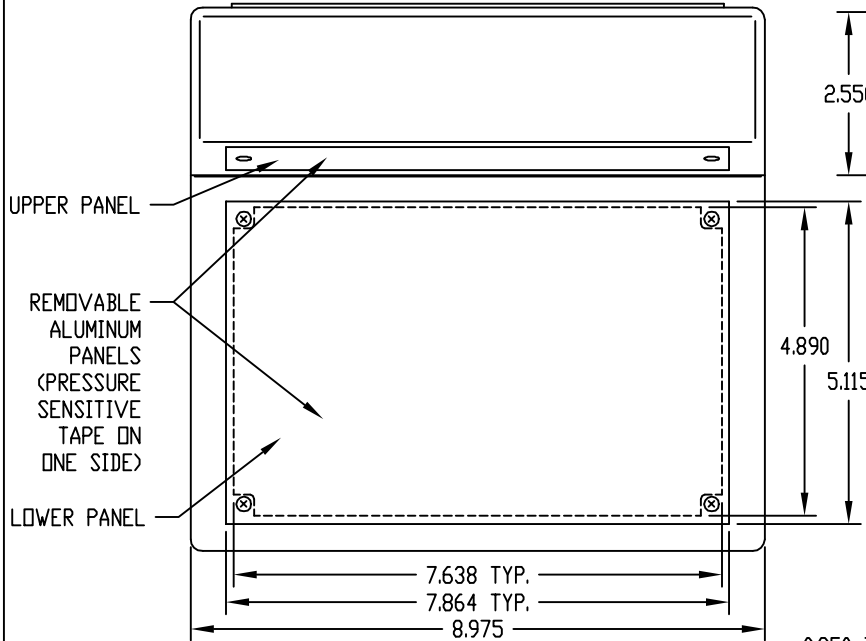
PLASTICASE

PART No.

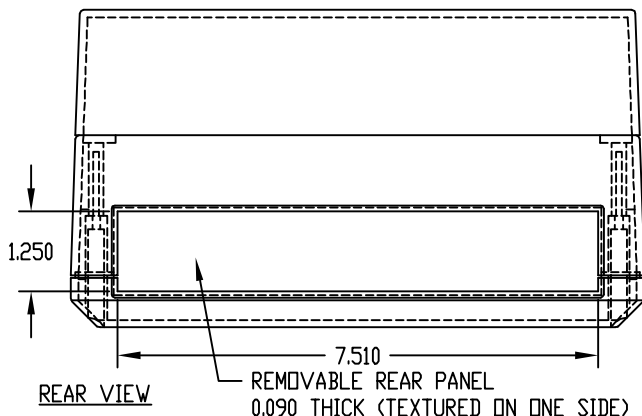
PC-11495

MATERIAL: BODY TOP & BOTTOM, REAR PANEL \_\_\_\_\_ ABS THERMOPLASTIC (UL94-HB RATED)  
 UPPER SLOPE PANEL \_\_\_\_\_ 0.063 THK. ALUMINUM  
 LOWER SLOPE PANEL \_\_\_\_\_ 0.100 THK. ALUMINUM

FINISH: BODY TOP & BOTTOM \_\_\_\_\_ LIGHT GRAY  
 REAR PANEL \_\_\_\_\_ DARK GRAY  
 SLOPE PANELS \_\_\_\_\_ NATURAL



BODY BOTTOM (WITH BODY TOP REMOVED)



FOUR (4) M3 x 0.630" LG. SCREWS SUPPLIED FOR ASSEMBLING BODY TOP TO BOTTOM

SIX (6) M3 x 0.315" LG. CSK. SCREWS SUPPLIED FOR ASSEMBLING SLOPE PANELS TO BODY TOP

FOUR (4) RUBBER STICK-ON FEET SUPPLIED

MOUNTING BOSSES USE EITHER M2.5 METRIC OR #4 STD. SHEET METAL SCREWS x 0.188" LG. (NOT SUPPLIED)

NOTE: ALL DIMENSIONS HAVE ±0.015 TOLERANCE UNLESS OTHERWISE SPECIFIED

\* THESE INSIDE DIMENSIONS ARE TAKEN FROM CLOSED END OF THE BOX

# Mouser Electronics

Authorized Distributor

Click to View Pricing, Inventory, Delivery & Lifecycle Information:

[Bud Industries:](#)

[PC-11495](#)