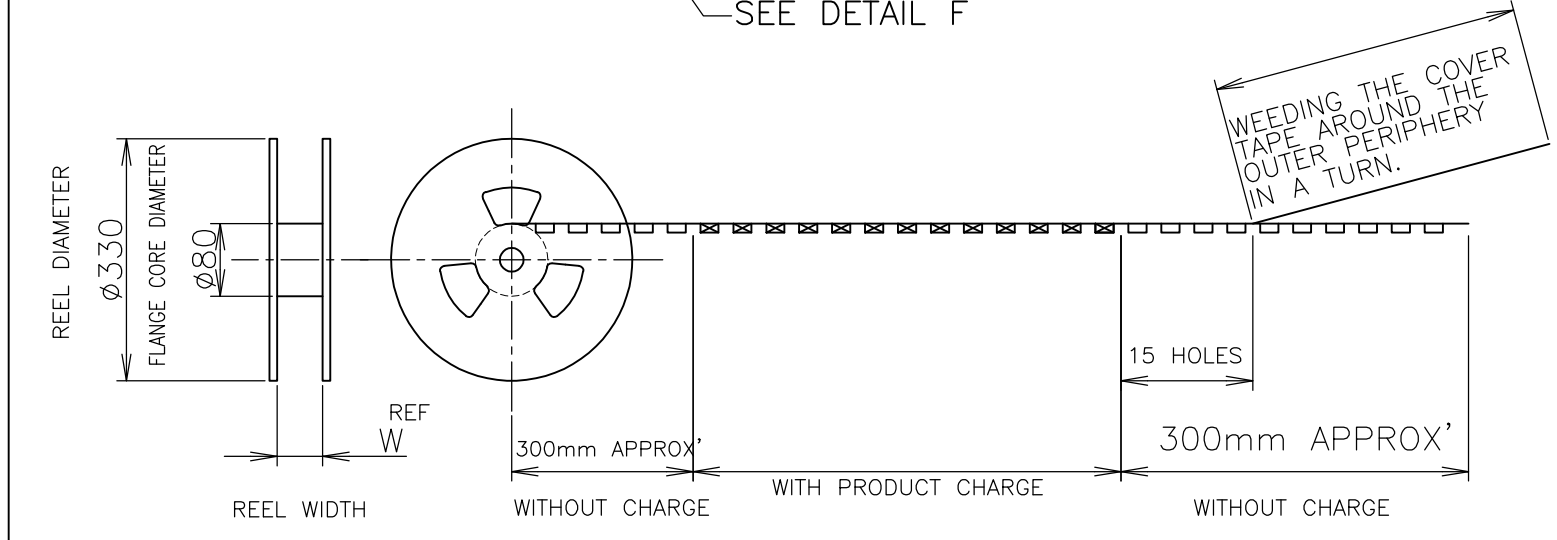
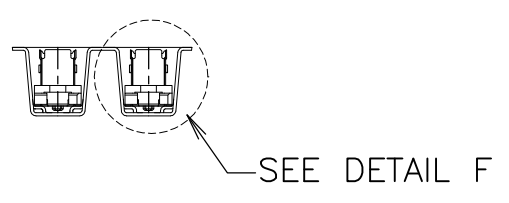
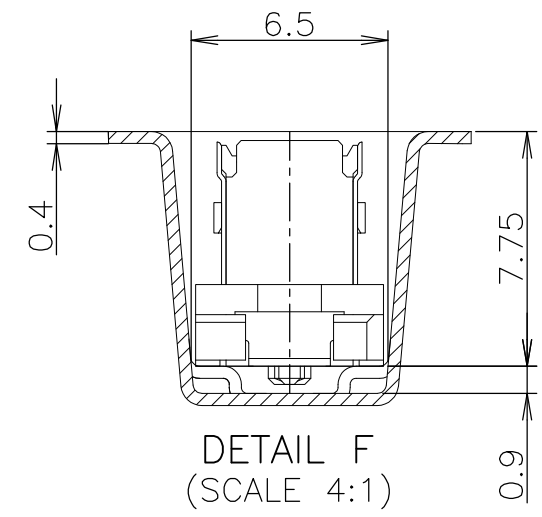
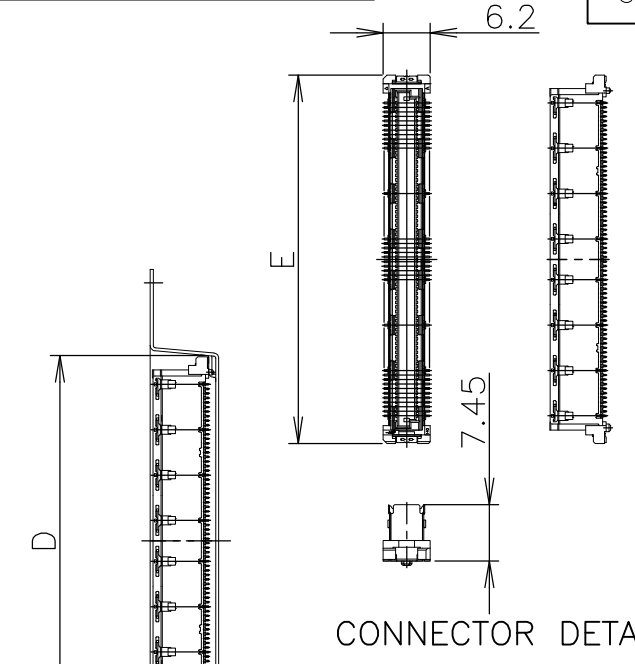
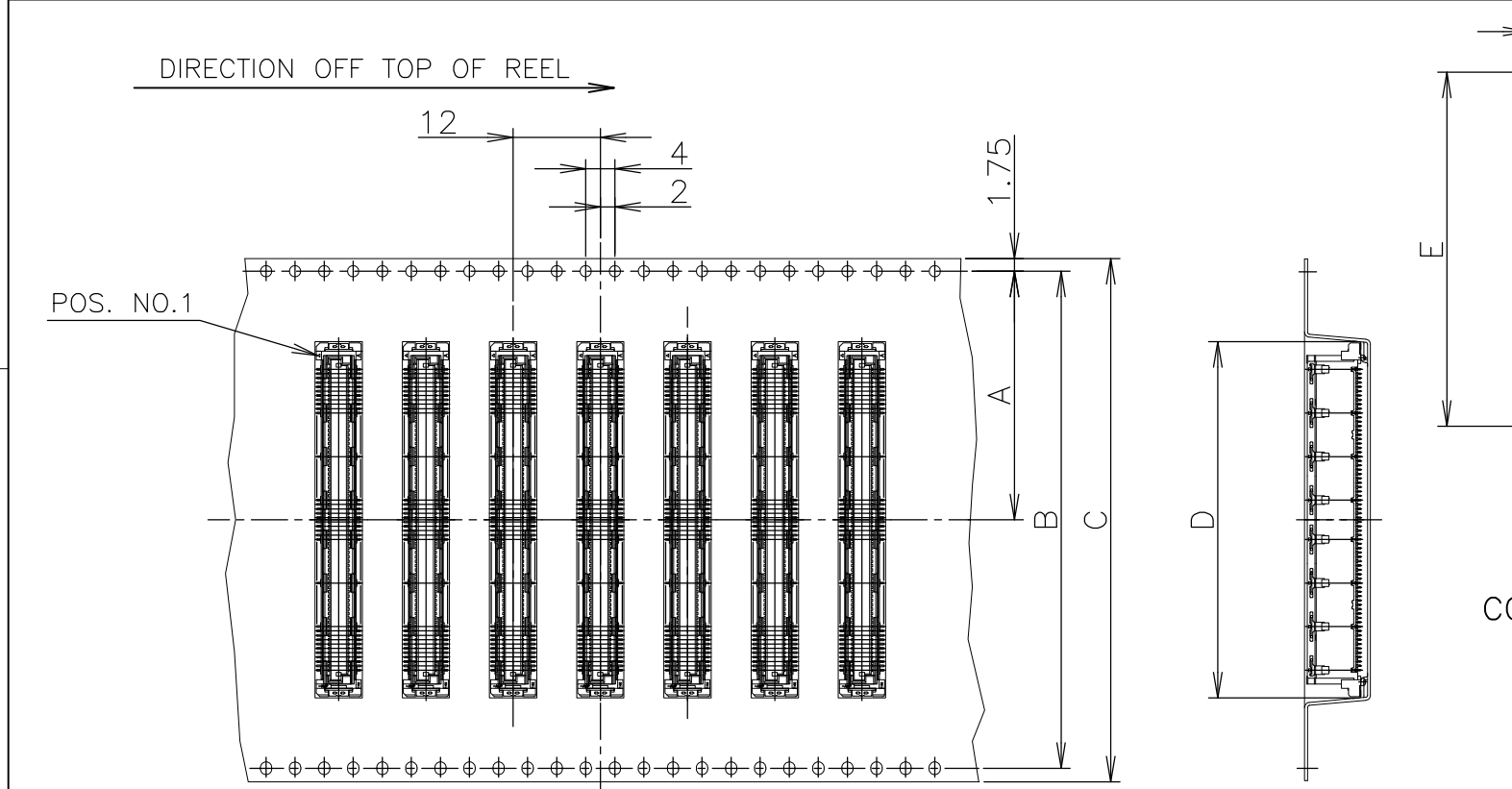


THIS DRAWING IS UNPUBLISHED. RELEASED FOR PUBLICATION JUN , 1996.  
 © COPYRIGHT 1996 BY TYCO ELECTRONICS CORPORATION. ALL RIGHTS RESERVED.

LOC	DIST	REVISIONS			DATE	DWN	APVD
J		P	LTR	DESCRIPTION			
		A	REVISED	ECR-08-000339	01FEB08	T.T	T.F



SEALANT	TOOLING STATUS	QTY.	W	E	D	C	B	A	POS.	PART NO.
			AVAILABLE	600	77.5	54.7	55	72	68.4	34.2
NON SEALANT	AVAILABLE	↑	77.5	48.7	49	72	68.4	34.2	140	6-↑-0
	NOT AVAILABLE		61.5	42.7	43	56	52.4	26.2	120	5-↑-9
	↑		61.5	36.7	37	56	52.4	26.2	100	5-↑-8
	↑		61.5	33.7	34	56	52.4	26.2	90	5-↑-7
	↑		49.5	30.7	31	44	40.4	20.2	80	5-↑-6
	↑		49.5	27.7	28	44	40.4	20.2	70	5-↑-5
	↑		49.5	24.7	25	44	40.4	20.2	60	5-↑-4
	↑		37.5	21.7	22	32	28.4	14.2	50	5-↑-3
	↑		37.5	18.7	19	32	28.4	14.2	40	5-↑-2
	NOT AVAILABLE	600	29.5	15.7	16	24	—	11.5	30	5-5353188-1
	↑		77.5	54.7	55	72	68.4	34.2	160	1-5353188-1
	↑		77.5	48.7	49	72	68.4	34.2	140	1-↑-0
↑		61.5	42.7	43	56	52.4	26.2	120	↑-9	
↑		61.5	36.7	37	56	52.4	26.2	100	↑-8	
↑		61.5	33.7	34	56	52.4	26.2	90	↑-7	
↑		49.5	30.7	31	44	40.4	20.2	80	↑-6	
↑		49.5	27.7	28	44	40.4	20.2	70	↑-5	
↑		49.5	24.7	25	44	40.4	20.2	60	↑-4	
↑		37.5	21.7	22	32	28.4	14.2	50	↑-3	
↑		37.5	18.7	19	32	28.4	14.2	40	↑-2	
NOT AVAILABLE	600	29.5	15.7	16	24	—	11.5	30	5353188-1	

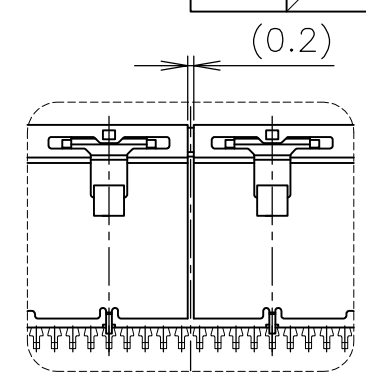
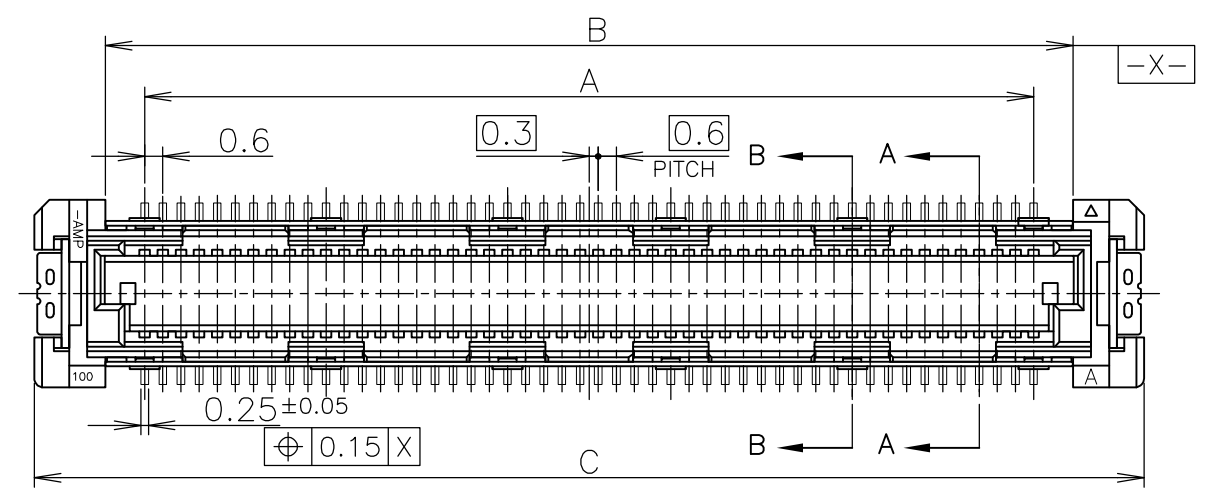
4 THIS PRODUCT WAS COATED BY FLUX-PENETRATION -INHIDITING AGENT.

THIS DRAWING IS A CONTROLLED DOCUMENT.

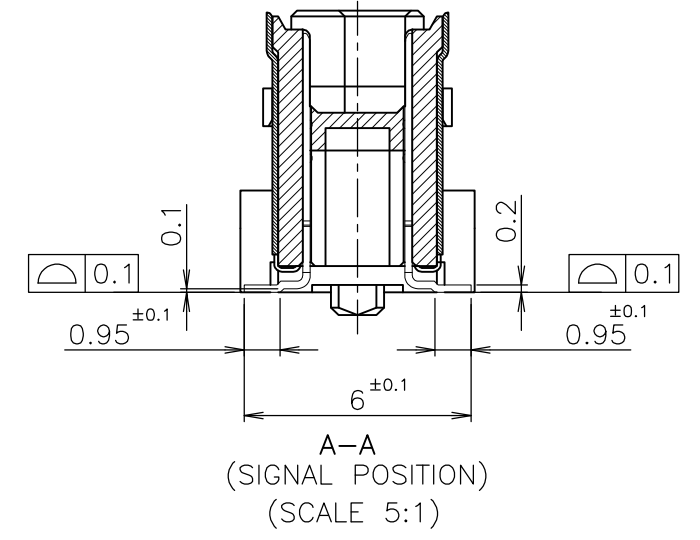
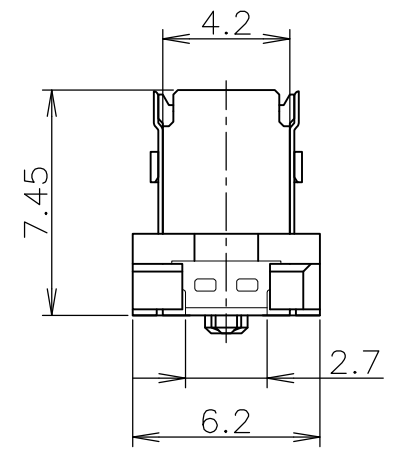
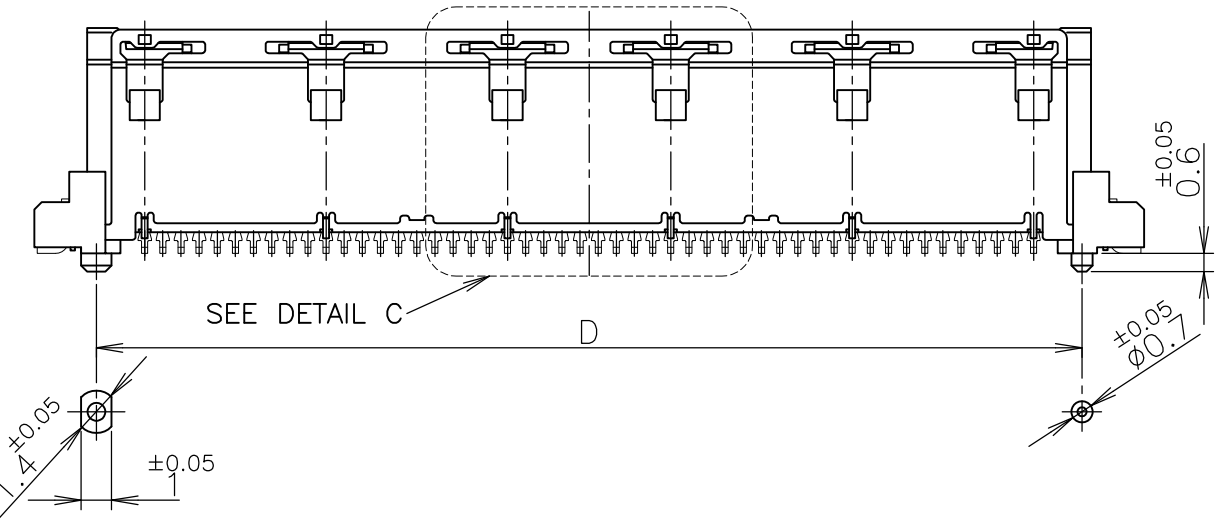
DWN	HAWKING HE	20DEC04	Tyco Electronics Corporation Kawasaki, Japan
CHK	STEVEN YAO	20DEC04	
APVD	I.ENOMOTO	20DEC04	EMBOSS ASSY FH 0.6BTB CONNECTOR PLUG 8H WITH G-PLATE
PRODUCT SPEC	製品規格	108-60047	
APPLICATION SPEC	取付適用規格	114-5255	RESTRICTED TO
MATERIAL	材料	FINISH	仕上
CUSTOMER DRAWING		SCALE	1:1
		SHEET	1 OF 3
		REV	A

THIS DRAWING IS UNPUBLISHED. RELEASED FOR PUBLICATION JUN ,1996.  
 © COPYRIGHT 1996 BY TYCO ELECTRONICS CORPORATION. ALL RIGHTS RESERVED.

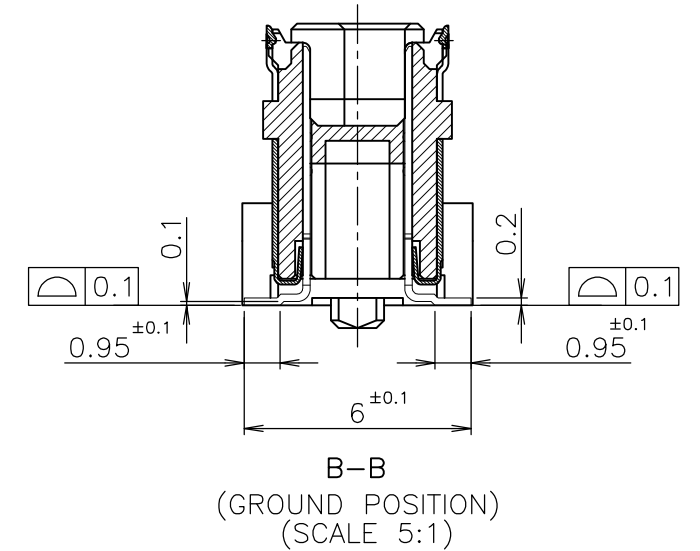
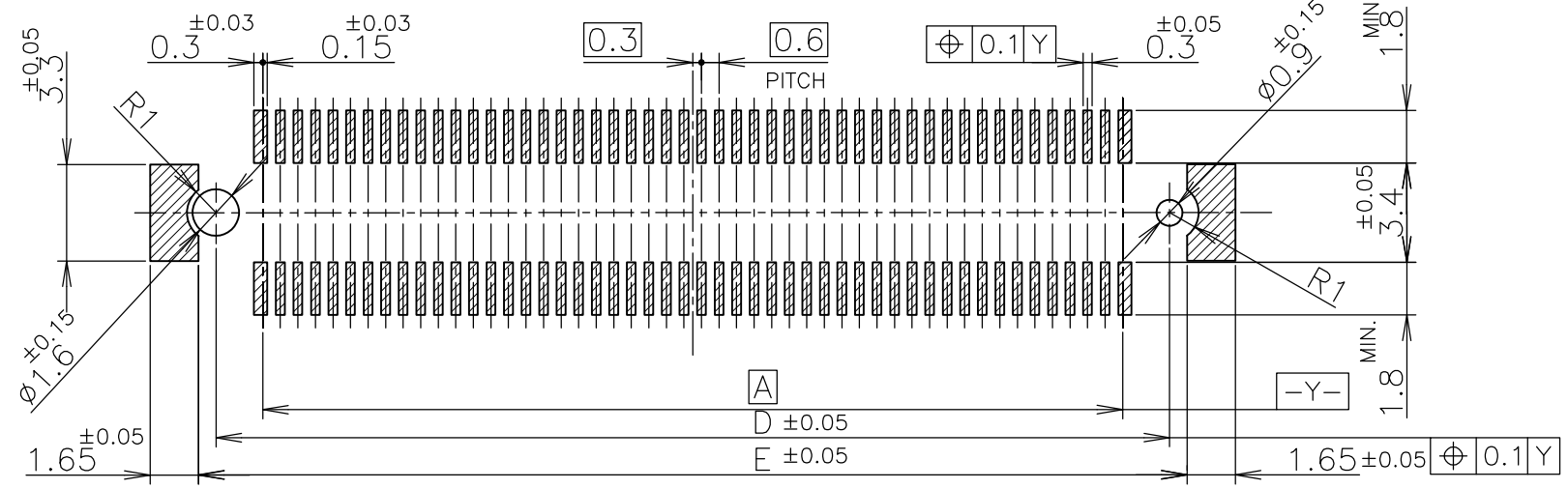
LOC	DIST	REVISIONS		
J		変更	DATE	DWN
P	LTR	DESCRIPTION		APVD
		SEE SHEET 1	-	-



DETAIL C  
180P~240P ONLY



A-A  
(SIGNAL POSITION)  
(SCALE 5:1)



B-B  
(GROUND POSITION)  
(SCALE 5:1)

AVAILABLE	51.8	50.6	54.7	50	47.4	160
AVAILABLE	45.8	44.6	48.7	44	41.4	140
NOT AVAILABLE	39.8	38.6	42.7	38	35.4	120
	33.8	32.6	36.7	32	29.4	100
	30.8	29.6	33.7	29	26.4	90
	27.8	26.6	30.7	26	23.4	80
	24.8	23.6	27.7	23	20.4	70
	21.8	20.6	24.7	20	17.4	60
	19.8	17.6	21.7	17	14.4	50
	15.8	14.6	18.7	14	11.4	40
NOT AVAILABLE	12.8	11.6	15.7	11	8.4	30
TOOLING STATUS	E	D	C	B	A	POS

REFERENCE P.C.BOARD LAYOUT

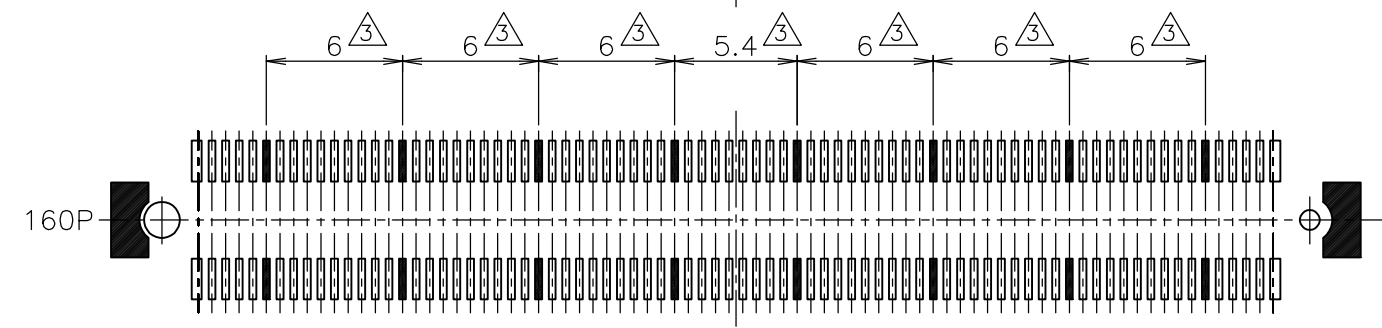
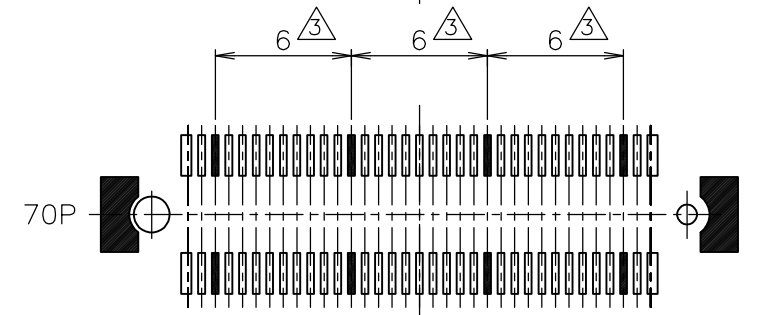
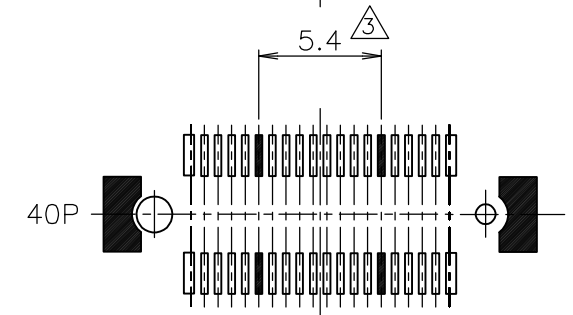
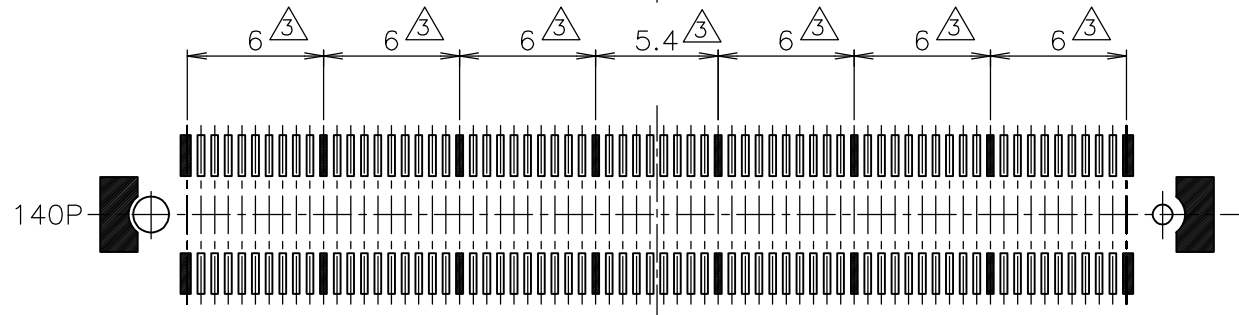
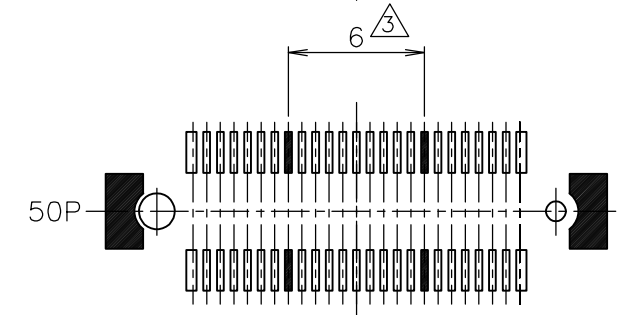
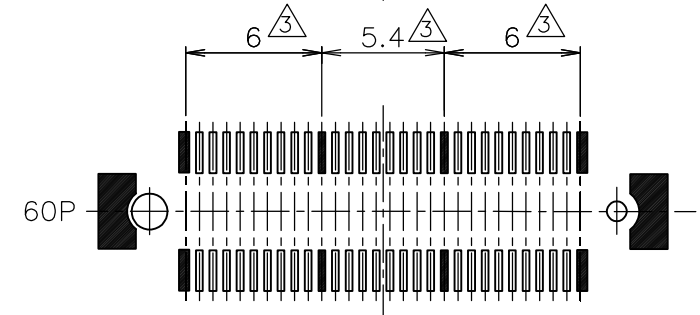
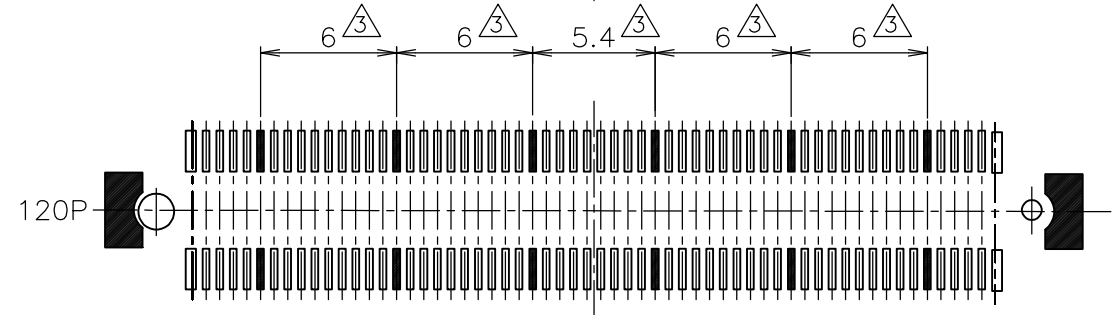
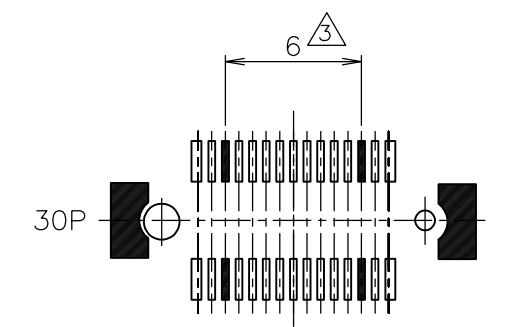
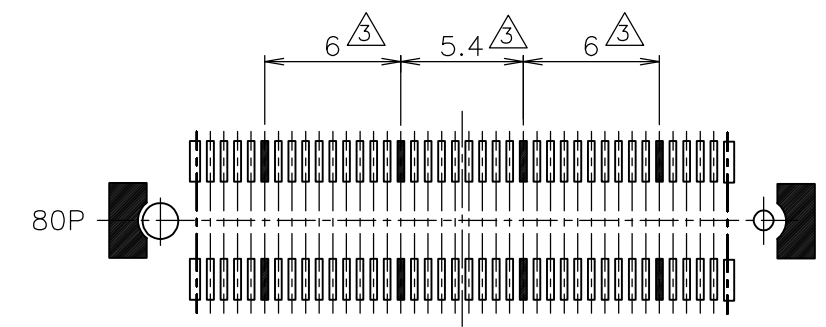
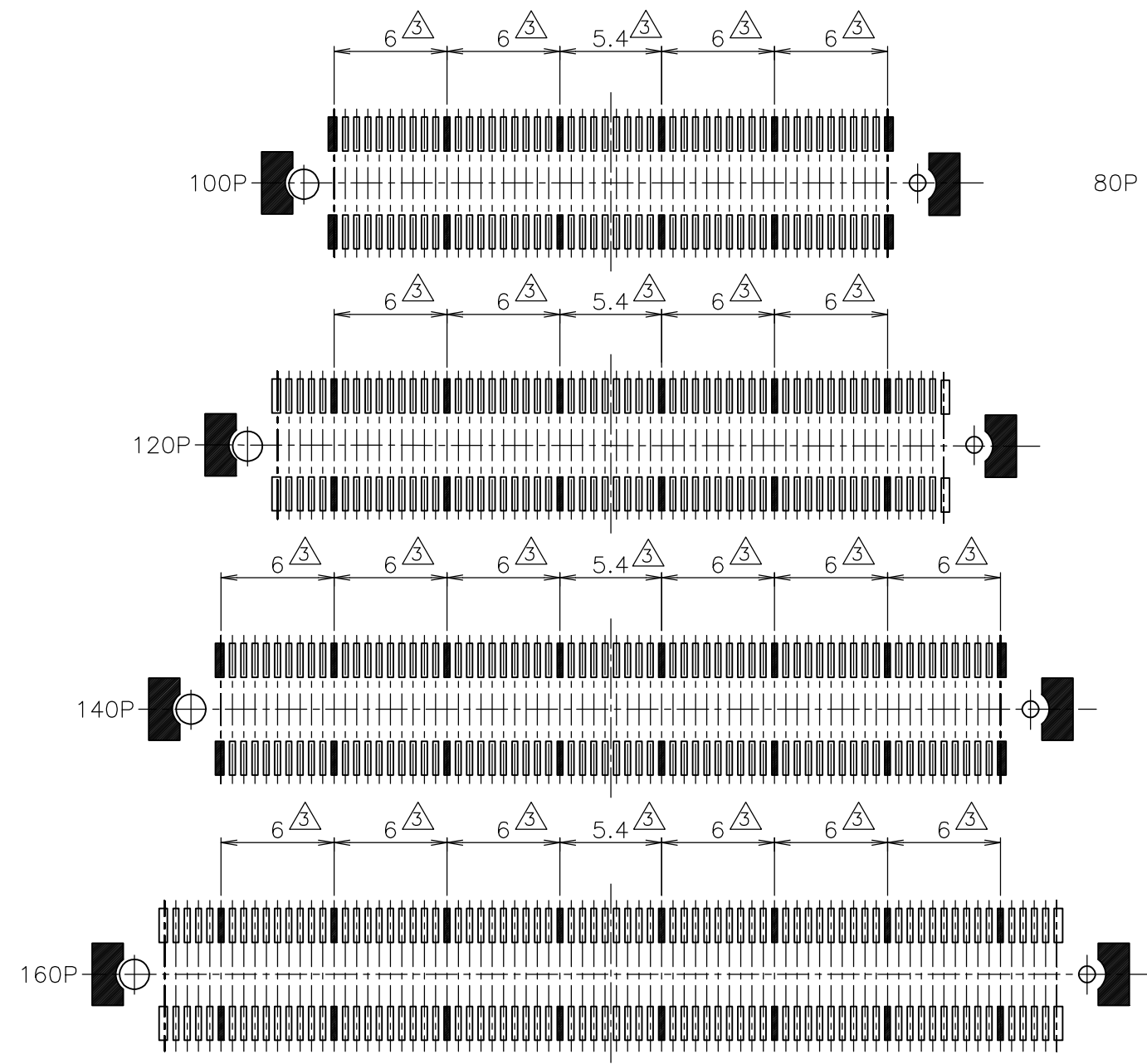
GENERAL TOLERANCE  
一般公差  
 10 ≥ ±0.2  
 30 ≥ >10: ±0.25  
 100 ≥ >30: ±0.3  
 ANGLES: ±3°

THIS DRAWING IS A CONTROLLED DOCUMENT.

DIMENSIONS: 単位: 耗 mm	TOLERANCES UNLESS OTHERWISE SPECIFIED: 一般公差	DWN	Tyco Electronics Corporation Kawasaki, Japan	
0 PLC ± -	1 PLC ± -	CHK	NAME 名称	
2 PLC ± -	3 PLC ± -	APVD	EMBOSS ASSY FH 0.6BTB CONNECTOR PLUG 8H WITH G-PLATE	
4 PLC ± -	ANGLES ± -	PRODUCT SPEC 製品規格	SIZE	CAGE CODE
MATERIAL 材料	FINISH 仕上	APPLICATION SPEC 取付適用規格	A3	00779
1	2	WEIGHT	DRAWING NO 番号	RESTRICTED TO
		CUSTOMER DRAWING	G-5353188	
			SCALE 尺度 4:1	SHEET 2 OF 3
				REV A

THIS DRAWING IS UNPUBLISHED. RELEASED FOR PUBLICATION JUN , 1996.  
 © COPYRIGHT 1996 BY TYCO ELECTRONICS CORPORATION. ALL RIGHTS RESERVED.

LOC	DIST	REVISIONS 変更					
J		P	LTR	DESCRIPTION	DATE	DWN	APVD
			-	SEE SHEET 1	-	-	-



- △ MATERIAL ; HOUSING : HIGH TEMP THERMO PLASTIC UL94V-0  
CONTACT : COPPER ALLOY
- △ FINISH ; UNDER PL Ni 0.0013mm MIN ALL OVER.  
CONTACT AREA 0.0002 MIN Au PL.  
SOLDERING AREA 0.001 MIN TIN PL.
- △ THIS POSITION IS GROUND CIRCUIT.

GENERAL TOLERANCE  
一般公差

10 ≥ ±0.2  
30 ≥ >10: ±0.25  
100 ≥ >30: ±0.3  
ANGLES: ±3°

THIS DRAWING IS A CONTROLLED DOCUMENT.		DWN	Tyco Electronics Corporation Kawasaki, Japan		
DIMENSIONS: 単位: 耗 mm		CHK	NAME 名称		
TOLERANCES UNLESS OTHERWISE SPECIFIED: 一般公差		APVD	EMBOSS ASSY FH 0.6BTB CONNECTOR PLUG 8H WITH G-PLATE		
0 PLC ± - 1 PLC ± - 2 PLC ± - 3 PLC ± - 4 PLC ± - ANGLES ± -		PRODUCT SPEC 製品規格	SIZE	CAGE CODE	DRAWING NO 番号
MATERIAL 材料		APPLICATION SPEC 取付適用規格	A3	00779	G-5353188
FINISH 仕上		WEIGHT	RESTRICTED TO		
△ 1		CUSTOMER DRAWING		SCALE 尺度 3:1	SHEET 3 OF 3
△ 2				REV A	

# Mouser Electronics

Authorized Distributor

Click to View Pricing, Inventory, Delivery & Lifecycle Information:

[TE Connectivity:](#)

[1-5353188-0](#)