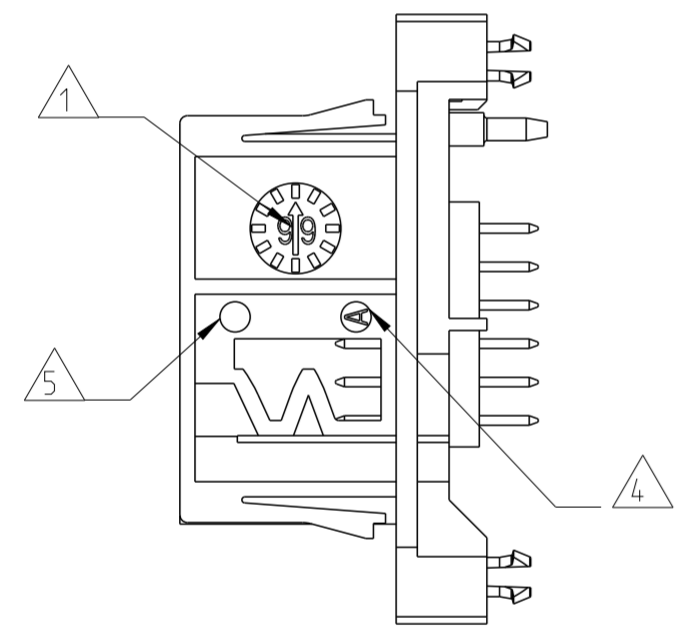
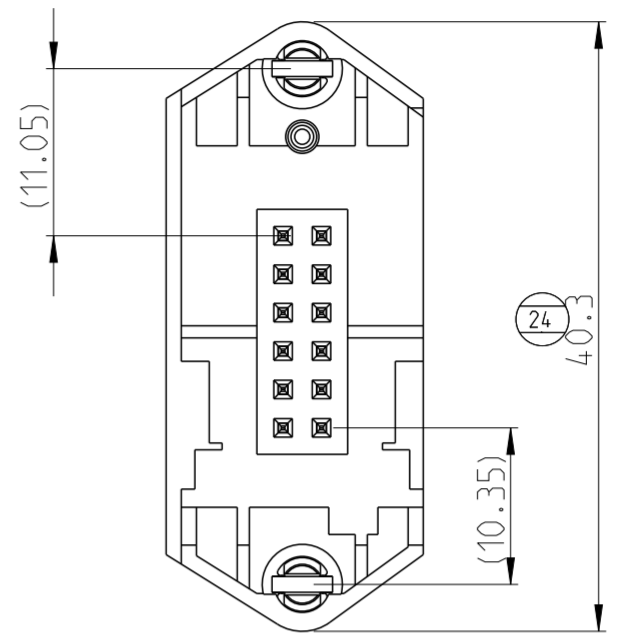
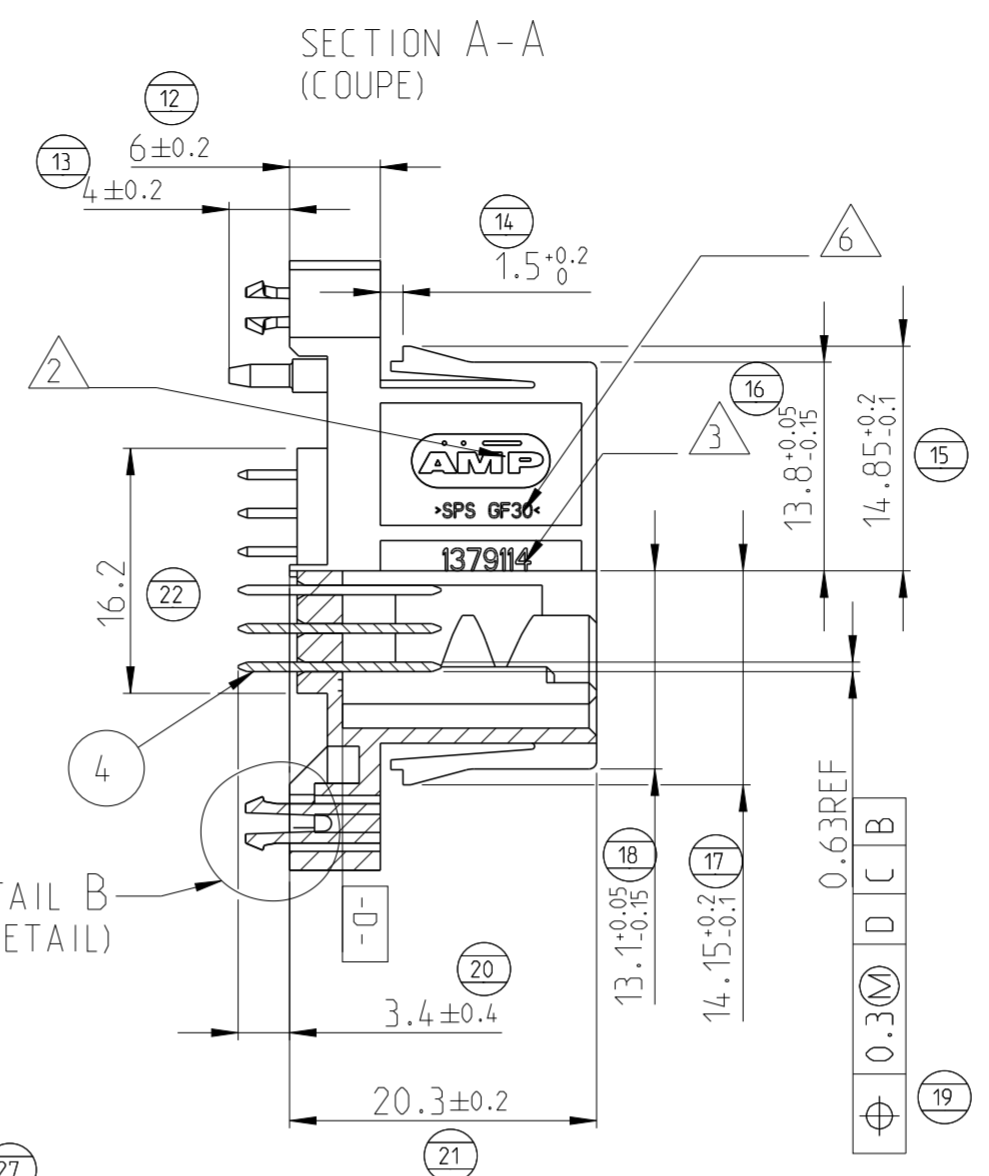
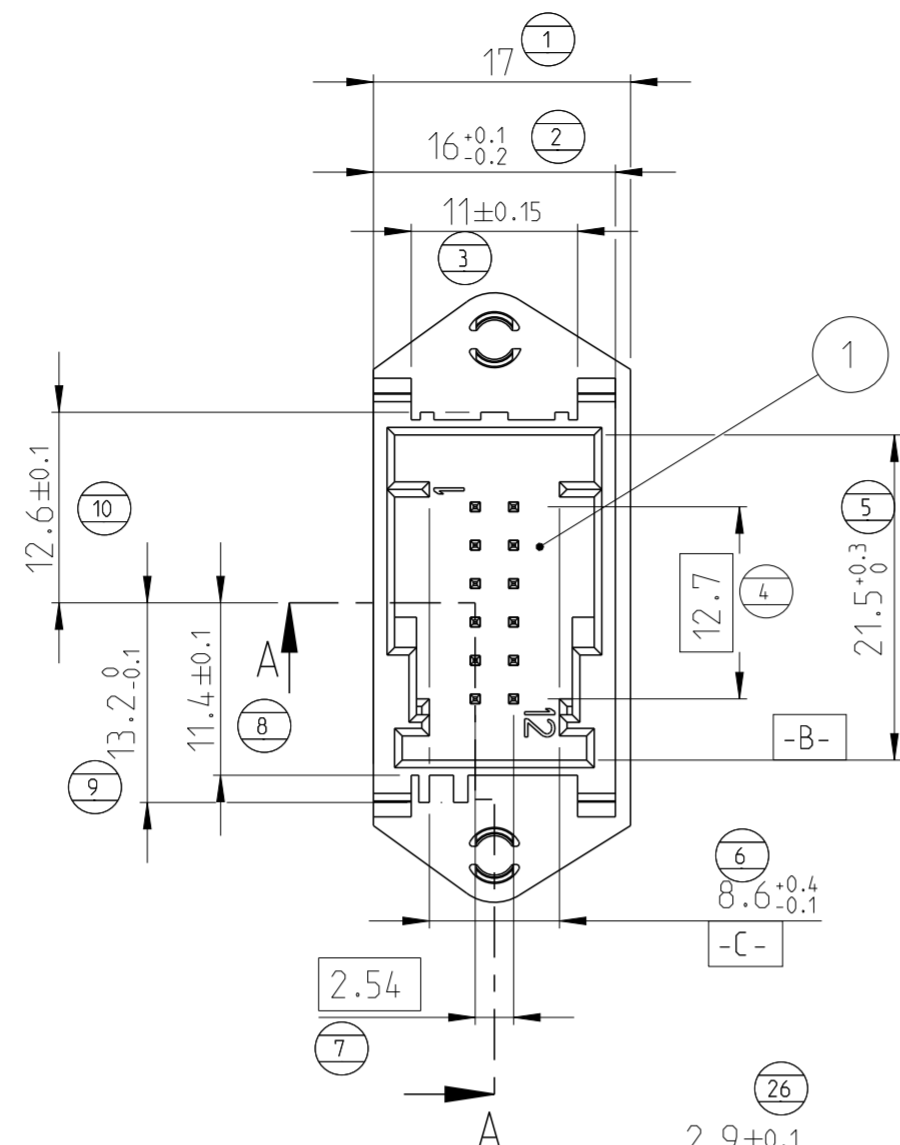
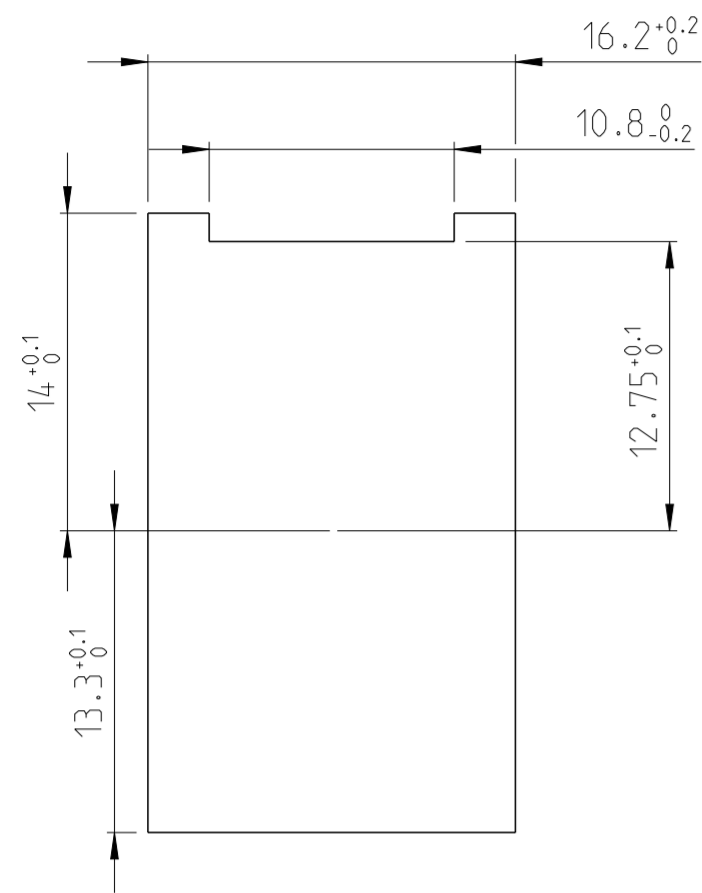


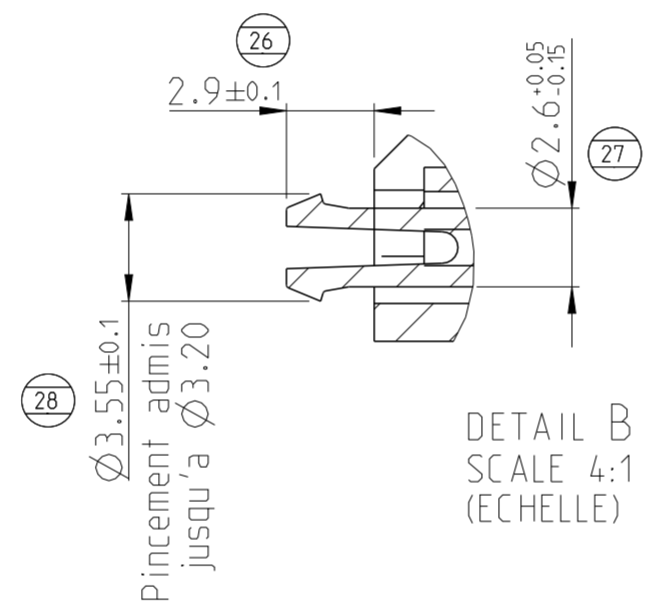
THIS DRAWING IS UNPUBLISHED. RELEASED FOR PUBLICATION
 © COPYRIGHT 20 BY - ALL RIGHTS RESERVED.

RECOMMANDATION DECOUPE PANNEAU
 RECOMMENDED PANEL CUTOUT

VUE DE DESSUS / VIEW FROM TOP



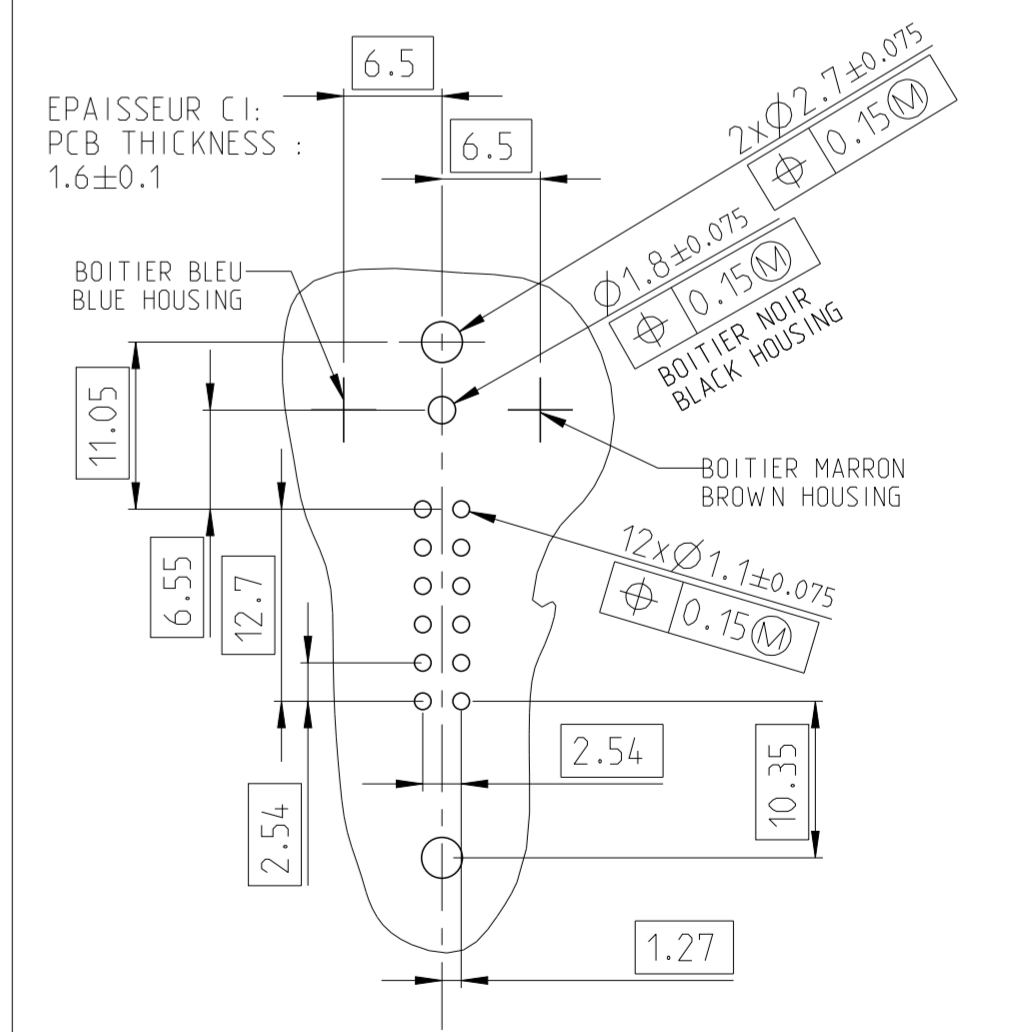
SEE DETAIL B
 (VOIR DETAIL)



- 1 DATE CODE
- 2 TE LOGO
LOGO DE TE
- 3 ASSY PART NUMBER
REFERENCE DU PRODUIT ASSEMBLE
- 4 REVISION STATUS
REVISION DU MOULE
- 5 CAVITY MARKING
N° D'EMPREINTE DU MOULE
- 6 NO CONTRACTUAL MARKING
MARQUAGE NON CONTRACTUEL
- 7 MATING PART :
CONNECTORS PN 185341 AND 185343
CONTRE PARTIE :
CONNECTEURS REF 185341 AND 185343

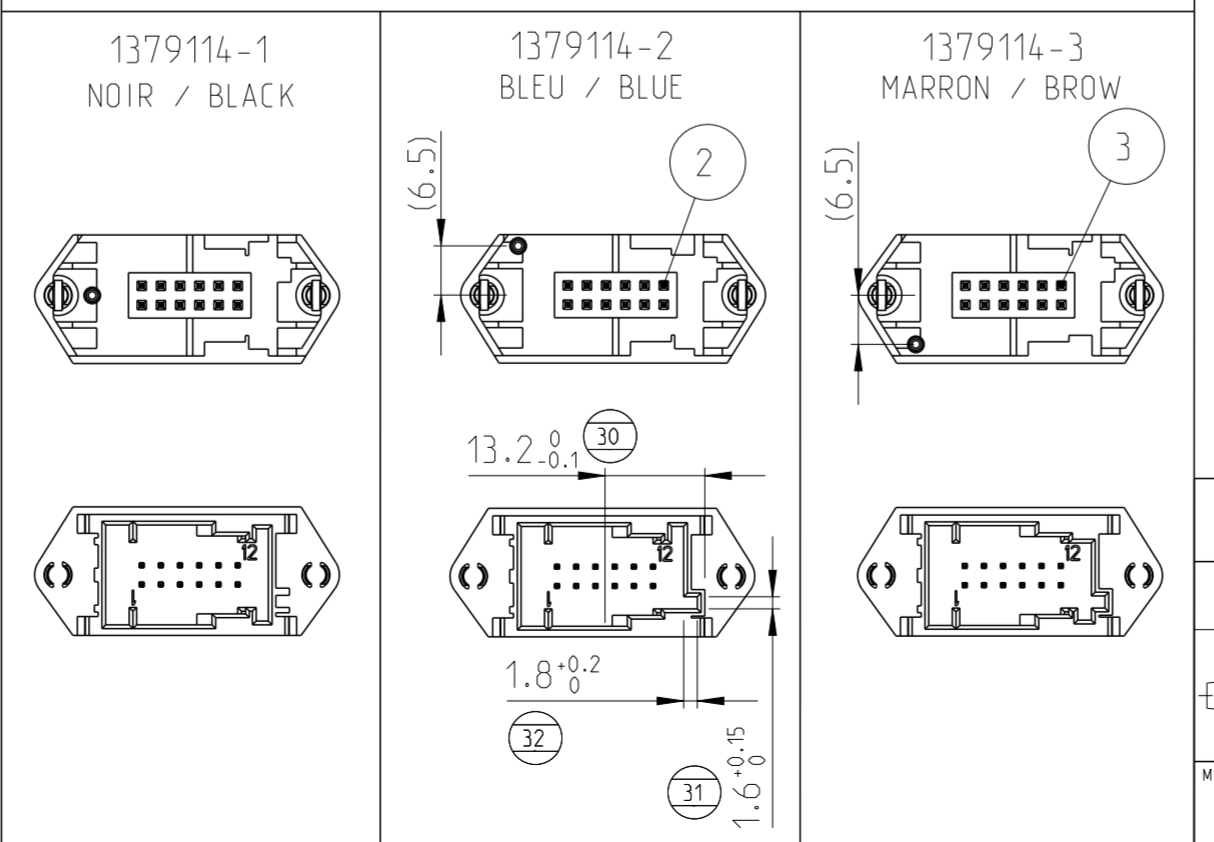
RECOMMANDATION IMPLANTATION CI
 RECOMMENDED PCB DETAILS

VUE DE DESSUS / VIEW FROM TOP



DETROMPAGES / CODINGS

SCALE 1:1
 (ECHELLE)



REF / ASSY PN	QTY	MATERIAL	DESIGNATION / NAME	COULEUR / COLOR	REP.
1379114-1	12	CuSn6	CONTACT MQS 0.63x0.63	POST ETAME / POST TIN	4
1379114-2	-	SPS GF20	BOITIER / HOUSING	MARRON / BROWN	3
1379114-3	-	SPS GF20	BOITIER / HOUSING	BLEU / BLUE	2
1-1379114-1	1	SPS GF20	BOITIER / HOUSING	NOIR / BLACK	1
D PACKAGING SPECIFIC IN TRAY WITH STRAP CONDITIONNEMENT EN PLATEAU SPECIFIQUE AVEC COURROIE					

THIS DRAWING IS A CONTROLLED DOCUMENT.

DIMENSIONS: mm

TOLERANCES UNLESS OTHERWISE SPECIFIED:

Ø P.C.	±
P.C.	±
P.C.	±0.3
P.C.	±
P.C.	±
P.C.	±
ANGLES	±5°
FINISH	SEE TABLE

MATERIAL: -

DWN: J. DREUX 25APR2000
 CHK: J. LAQUERRE 25APR2000
 APVD: J.J. REVIL 25APR2000

PRODUCT SPEC: 108-15180
 APPLICATION SPEC: -

WEIGHT: 3.7 g

Customer Drawing

SCALE: 2:1 SHEET 1 OF 1 REV D

STE TE Connectivity

12W MQS HEADER WITH /WITHOUT BOARD-LOCKS
 EMBASE 12V MQS AVEC /SANS B-LOCKS

SIZE: A2 CAGE CODE: - DRAWING NO: 1379114 RESTRICTED TO: -

Mouser Electronics

Authorized Distributor

Click to View Pricing, Inventory, Delivery & Lifecycle Information:

[TE Connectivity:](#)

[1379114-1](#)