



SLiC™ Aerial Closure with Spiral End Seals and Bond Assembly

Instructions

Contents:

1.0 General 3
2.0 Kit Contents.....4
3.0 Cable Preparation4
4.0 Closure Installation, Bonding and Splicing 5
5.0 End Seal Installation6
6.0 Closure Assembly8
7.0 Extending Closure.....8
8.0 Accessories.....8

Cut with scissors

1 2 3 4 5 6 7 8 9 10

1.0 General

1.01 This instruction bulletin describes the assembly of the 3M™ SLiC™ Aerial Closure with Spiral End Seals and Bond Assembly with external bonding hanger brackets. The closures are free breathing and suitable for straight, butt, and branch splices of non-pressurized communication cables.

	SLiC 2 x 19 BA	SLiC 2 x 29 BA	SLiC 3 x 33 BA	SLiC 5 x 33 BA	SLiC 7 x 33 BA	SLiC 9 x 36 BA
Maximum Splice Opening	14" (356 mm)	17" (432 mm)	21" (533 mm)	21" (533 mm)	21" (533 mm)	25" (635 mm)
Maximum Bundle Diameter	2.2" (55.9 mm)	2.6" (66 mm)	3.6" (91.4 mm)	5.6" (142.2 mm)	7.6" (193.0 mm)	9.6" (244 mm)
Approx. Cable Range Pair Count	100 pair 26 or 24 AWG (0.4 or 0.5 mm)	**200 pair 26 or 24 AWG (0.4 or 0.5 mm)	*400 pair 26 or 24 AWG (0.4 or 0.5 mm)	*1200 pair 26 AWG (0.4 mm)	*2400 pair 26 AWG (0.4 mm)	*3600 pair 26 AWG (0.4 mm)

* BASED ON 2-BANK STRAIGHT SPLICE USING 4000-DWP MODULE

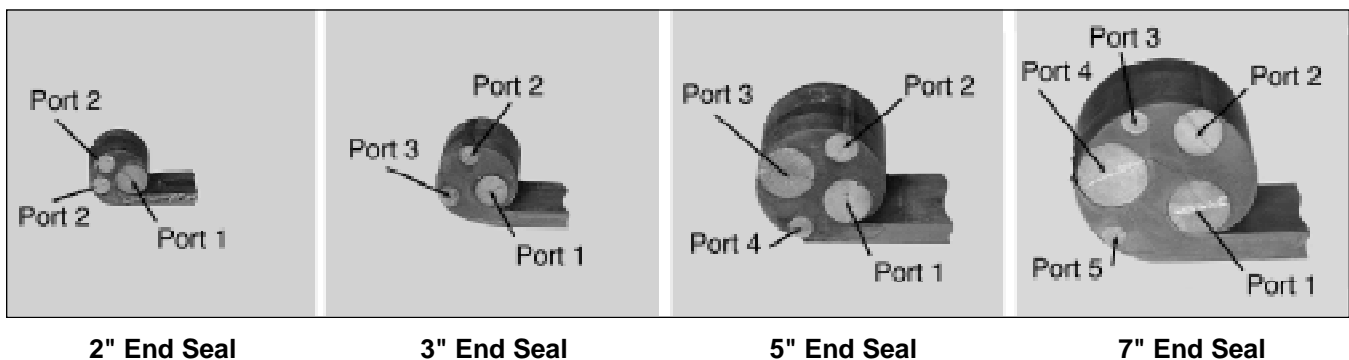
** BASED ON MORE THAN ONE CABLE

1.02 End Seal Port Diameter Range:

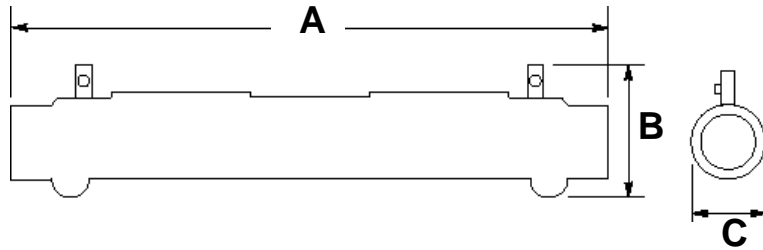
End Seal Port Diameter Range	SLiC 2x19* SLiC 2x29*	SLiC 3x33	SLiC 5x33	SLiC 7x33 SLiC 9x36
Port #1	0.8 to 1.6" 20 to 41 mm	0.8 to 2.6" 20 to 66 mm	1.2 to 3.0" 30 to 76 mm	1.5 to 3.8" 38 to 97 mm
Port #2	0.5 to 1.0" 13 to 25 mm	0.5 to 1.0" 13 to 25 mm	0.8 to 1.4" 20 to 36 mm	1.2 to 1.8" 30 to 46 mm
Port #3	**0.5 to 1.0" 13 to 25 mm	0.5 to 1.0" 13 to 25 mm	1.4 to 2.0" 36 to 51 mm	0.5 to 1.2" 13 to 30 mm
Port #4	NA	NA	0.5 to 1.2" 13 to 30 mm	1.8" to 2.4" 46 to 61 mm
Port #5	NA	NA	NA	0.5 to 1.2" 13 to 30 mm
Between Wraps	0.2 to 0.4" 5.1 to 10.2 mm	0.2 to 0.4" 5.1 to 10.2 mm	0.2 to 0.4" 5.1 to 10.2 mm	0.2 to 0.4" 5.1 to 10.2 mm

* **Total of all cable diameters cannot exceed 1.6" (41 mm) for the 2" SLiCs.**

** **The third port on the 2" endseal is labeled Port 2.**



1.03 Dimensions:

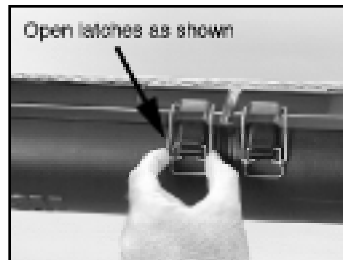


Size	A	B	C
2 x 19	19" (483 mm)	5.3" (135 mm)	3.2" (80 mm)
2 x 29	29" (737 mm)	5.9" (150 mm)	3.2" (80 mm)
3 x 33	33" (838 mm)	7.1" (180 mm)	4.7" (119 mm)
5 x 33	33" (838 mm)	9.2" (234 mm)	6.8" (173 mm)
7 x 33	33" (838 mm)	11.5" (292 mm)	8.9" (227 mm)
9 x 36	36" (914 mm)	13.5" (343 mm)	10.9" (276 mm)

2.0 Kit Contents

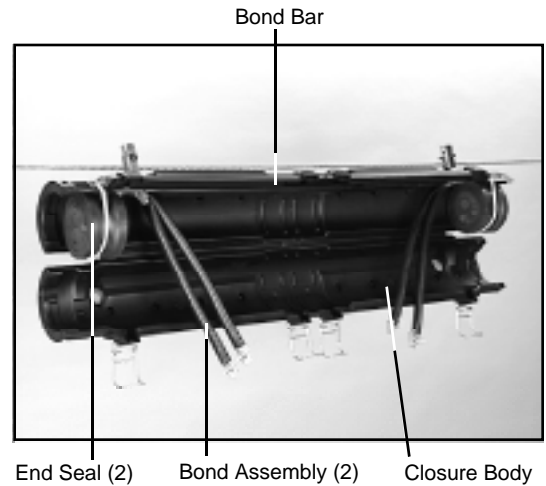
2.01 Kit Contents are as follows:

- Closure Body with:
- Bond Bar
- Braid Assembly
- Spiral End Seals



2.02 Additional Materials Required:

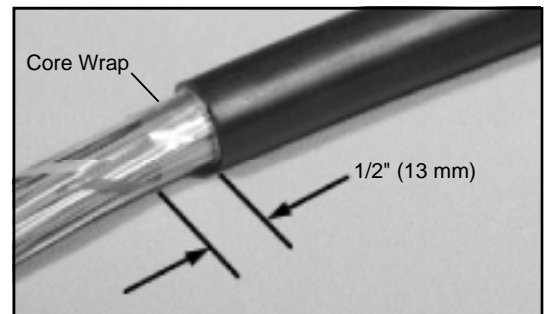
- Shield Connectors
- Cable Ties
- Cable Spacers
- Moisture Resistant Splicing Connectors
- Vinyl tape



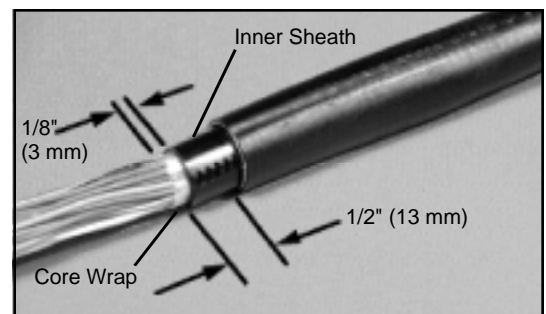
3.0 Cable Preparation

Note: For both single and double sheath cables, cut shield flush with outer sheath.

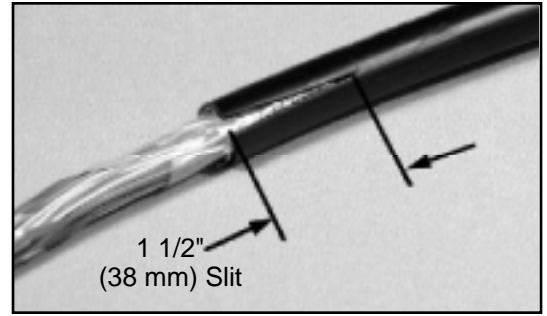
3.01 Single sheath cable.



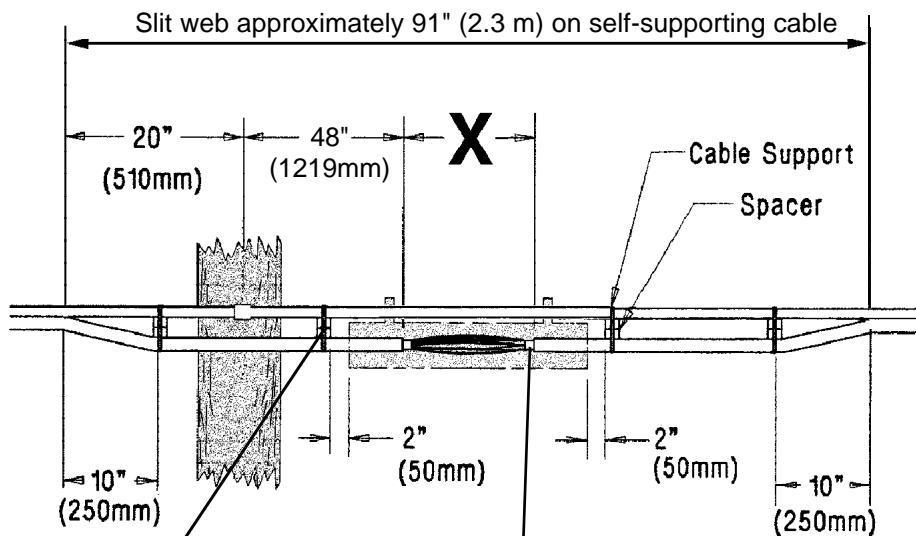
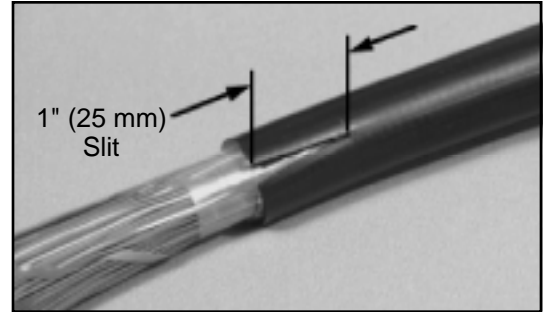
3.02 Double sheath cable.



Note: On cables less than 3/4" (19 mm) in diameter, cut a 1 1/2" (38 mm) slit in the sheath opposite connector location. Then complete procedure.



3.03 Make a 1" (25 mm) slit in the outer sheath and shield. Lift corners for base insertion.



Lashed cable support and spacer (use appropriate size of cable spacer to keep cable at the same level or slightly lower than the end seal openings)

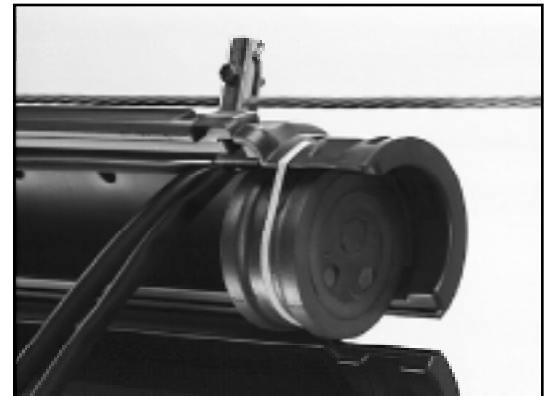
Trim Core Wrap to extend approximately 1" (25mm) past the outer sheath. If core wrap is damaged, wrap with vinyl tape.

** X See table in Section 1.0

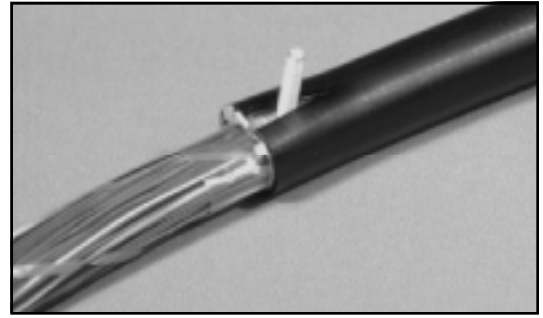
4.0 Closure Installation, Bonding and Splicing

4.01 Attach closure to strand using the proper position at the bottom of the external bond hanger bracket.

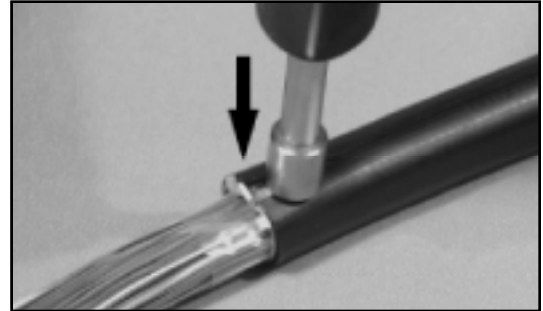
Note: Always use bottom notch with small groove. For 10M strand and larger, rotate hanger cap and use large groove. Secure the hanger brackets to strand using 50 in•lbs (565 cm•N) torque. For self-supporting cable, tighten to 75 in•lbs (850 cm•N) torque.



4.02 Remove connector base from bond assembly and insert it between shield and core wrap; inner sheath for double sheath cable, until stops meet outer sheath.



4.03 Place terminal wrench over stud and push down to bend corners and pull slit together.



4.04 Attach bond assembly over stud and tighten firmly with securing nut.

Note: Tail of base must contact connector top.



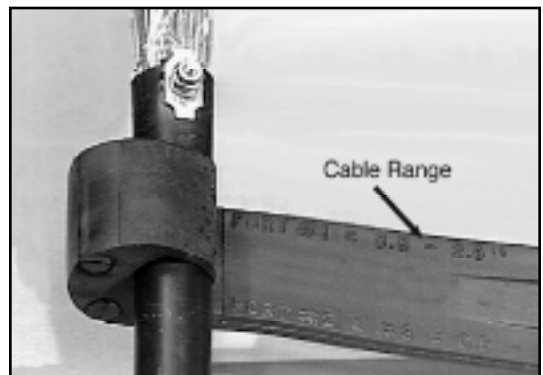
5.0 End Seal Installation

5.01 Remove plugs for the desired number of cables to be installed.

Note: Use appropriate port as needed for cable size to be installed (Check cable range shown on end seal.)



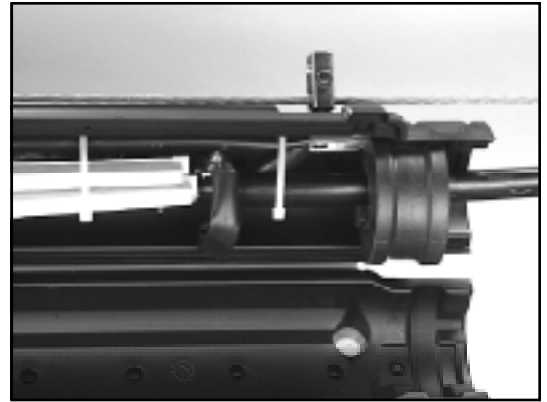
5.02 Install end seal on cable and put one wrap of vinyl tape around center of end seal.



Distance required between end seals shown below.

SLiC	Distance Between End Seal Centers
2x19	16" (406 mm)
2x29	25" (635 mm)
3x33	29" (737 mm)
5x33	29" (737 mm)
7x33	29" (737 mm)
9x36	32" (813 mm)

Note: Location of end seal in SLiC is not flush with end.

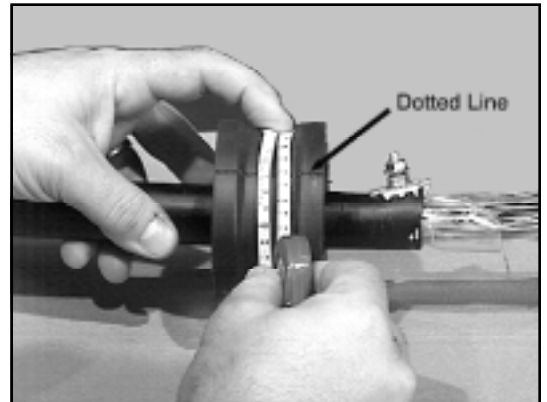


5.03 Cut on dotted line, if necessary, according to the following chart:

SLiC	2x19 2x29	3x33	5x33	7x33 9x36
If end seal diameter is greater than:	2.5" 64 mm	3.8" 99 mm	5.8" 147 mm	7.4" 188 mm

Note: Cut method and location indicated by dotted line on each End Seal.

Note: Dotted line configuration on largest end seal is different than others due end seal thickness.



5.04 End seal cutting is optional, but makes closing of closure easier with larger diameter cable. If end seal is not cut, then compress SLiC end by using a knife to slit through thin plastic membrane.



Then place a heavy duty cable tie, hose clamps or metal banding through the slit on each end and tighten to secure and compress seal.

5.05 For sheath repair of cables larger than maximum diameter as indicated on end seal, cut tail until end seal diameter is approximately 0.3" to 0.5" (8 mm to 13 mm) greater than diameter of SLiC; i.e., the SLiC 3x33 should have a maximum end seal diameter in the range of 3.3" to 3.5" (84 mm to 89 mm).

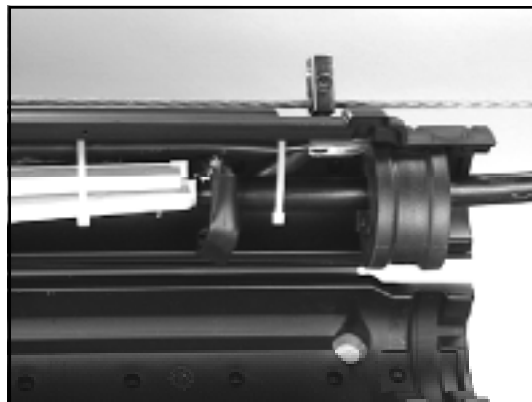


6.0 Closure Assembly

6.01 Tie splice bundle and cable ends to bond bar.

6.02 Close latches to seal assembly.

Note: *White cable ties used for clarity only.*



7.0 Extending Closure

7.01 Remove bond bar with tubing from a second closure and cut off 6" (152 mm).

7.02 Cut second closure in half using center mark as a guide.

Note: *Each half section will only fit over similar end of main closure body.*

7.03 Install 6" (152 mm) bond bar with cover tubing on closure half.

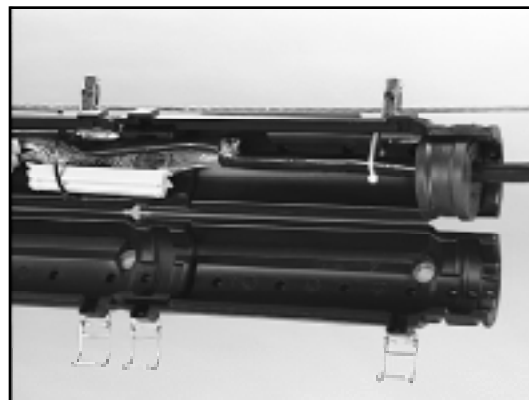
Note: *Use piece of braid from half section and attach to braid from main closure body or cut new braid to reach full length of extended closure.*

7.04 Install half section over end of main body.

7.05 Tie cable to 6" (152 mm) bond bar.

7.06 Reposition end seal in extended body, close latches to seal.

Note: *2 x 19 and 9 x 36 BA Closures cannot be extended.*

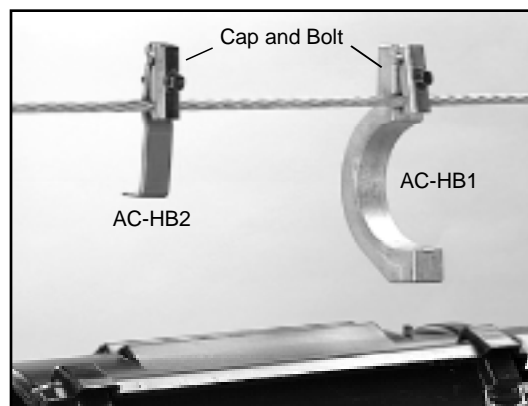


8.0 Accessories

8.01 • AC-HB1 Aerial Closure Offset Hanger Brackets

• AC-HB2 Extended Hanger Brackets

Designed to support and bond the SLiC Closures to the messenger strand when more than one cable is supported by the messenger.



Important Notice

All statements, technical information and recommendations related to the Seller's products are based on information believed to be reliable, but the accuracy or completeness thereof is not guaranteed. Before utilizing the product, the user should determine the suitability of the product for its intended use. The user assumes all risks and liability whatsoever in connection with such use.

Any statements or recommendations of the Seller which are not contained in the Seller's current publications shall have no force or effect unless contained in an agreement signed by an authorized officer of the Seller. The statements contained herein are made in lieu of all warranties, express or implied, including but not limited to the implied warranties of merchantability and fitness for a particular purpose which warranties are hereby expressly disclaimed.

SELLER SHALL NOT BE LIABLE TO THE USER OR ANY OTHER PERSON UNDER ANY LEGAL THEORY, INCLUDING BUT NOT LIMITED TO NEGLIGENCE OR STRICT LIABILITY, FOR ANY INJURY OR FOR ANY DIRECT OR CONSEQUENTIAL DAMAGES SUSTAINED OR INCURRED BY REASON OF THE USE OF ANY OF THE SELLER'S PRODUCTS THAT WERE DEFECTIVE.

3M

Telecom Systems Division

6801 River Place Blvd.
Austin, TX 78726-9000
800/426-8688



Printed on 50% recycled paper
with 10% post consumer

Litho in USA
© 3M 1997 34-7039-8133-1-D

Mouser Electronics

Authorized Distributor

Click to View Pricing, Inventory, Delivery & Lifecycle Information:

3M:

[SLIC-2.2X19-4460S](#) [SLIC-2.2X19-BA](#) [SLIC-2.2X19-SR/SES](#) [SLIC-2.6X29](#) [SLIC-2.6X29-BA](#) [SLIC-2.6X29-BA/SES](#)
[SLIC-2.6X29-SES](#) [SLIC-2.6X29-SR/SES](#) [SLIC-3.6X33](#) [SLIC-3.6X33-4460S](#) [SLIC-3.6X33-BA](#) [SLIC-3.6X33-BA/SES](#)
[SLIC-3.6X33-SR/RES](#) [SLIC-3.6X33-SR/SES](#) [SLIC-5.6X33-SR/SES](#) [SLIC-5.6X33-4460S](#) [SLIC-5.6X33-BA](#) [SLIC-](#)
[5.6X33-BA/SES](#) [SLIC-9.6X36-BA](#) [SLIC-3.6X33-SES](#) [SLIC-5.6X33-SES](#)

Corning:

[SLIC3900-A](#) [SLIC-9.6X36-BA/SES](#) [SLIC-9.6X36-SES](#) [SLIC-9.6X36-SR/SES](#) [SLIC-5.6X33-SR/RES](#) [SLIC-5-SES](#)
[SLIC-7.6X33](#) [SLIC-7.6X33-4460S](#) [SLIC-7.6X33-BA](#) [SLIC-7.6X33-BA/SES](#) [SLIC-7.6X33-SES](#) [SLIC-7.6X33-SR/SES](#)
[SLIC-7-SES](#) [SLIC-9.6X36](#) [SLIC-3-SES](#) [SLIC-5.6X33](#) [SLIC-2-SES](#) [SLIC-3.6X19-BA/SES](#) [SLIC-3.6X19-FB](#) [SLIC-](#)
[3.6X19-SES](#) [SLIC-2.6X29-4460S](#) [SLIC-5-BSW](#) [SLIC-2.2X19](#) [SLIC-2.2X19-BA/SES](#) [SLIC-2.2X19-SES](#)