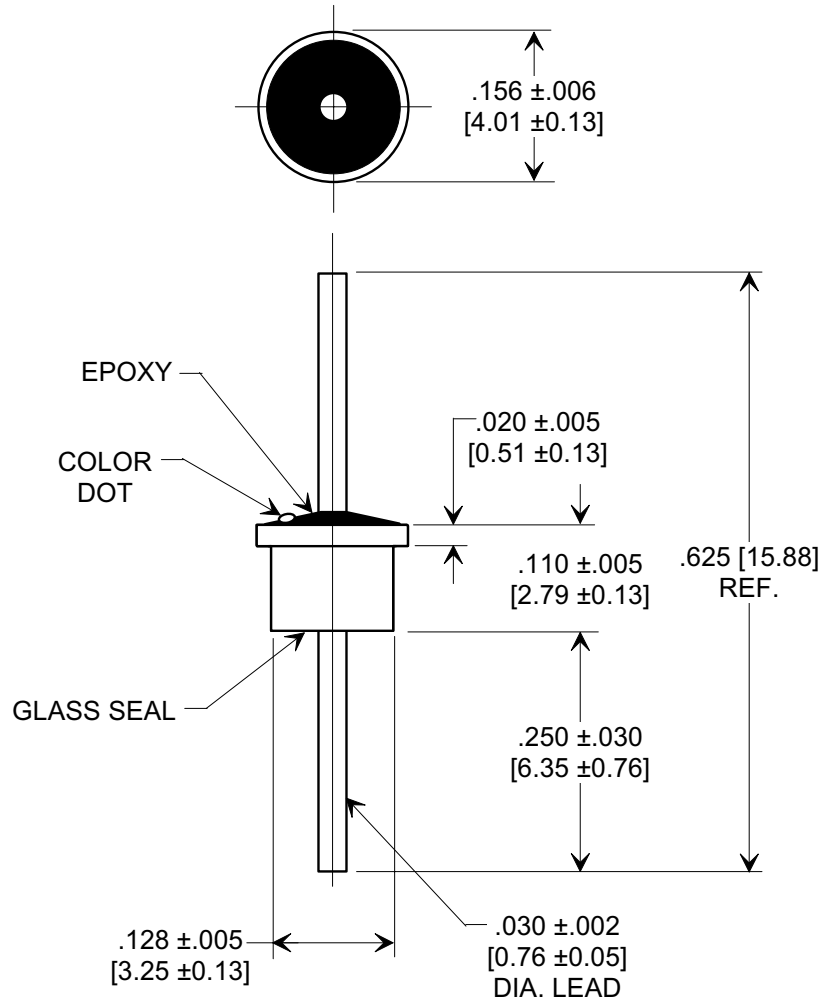


**MARKETING SALES DRAWING**  
 DIMENSIONS IN INCHES - DO NOT SCALE THIS DRAWING  
 DIMENSIONS IN METRIC - [ ]

Electrical Testing  
 per Tusonix standard  
 test plans and Mil-Std-202  
 Test Methods.



**NOTES:**

- Operating temperature range: -55°C to +125°C.
- Gold plated case and lead.
- Epoxy sealed on opposite end from glass seal.
- Max. recommended soldering temperature: 260°C.  
See installation recommendations.
- Recommended mounting hole: .135 dia.
- Solder preform available for mounting.
- Tusonix Standard part number: 4300-009.  
Tusonix RoHS compliant part number: 4300-009 LF.  
Customer must specify Standard or RoHS part number when ordering.
- RoHS compliant part marked with additional dark green dot for identification.

Cx (pF)	TOL.	DC WORKING VOLTAGE		DC CURRENT (AMPS)	DWV (VDC)	IR MIN. @100 VDC	MIN. NO LOAD INSERTION LOSS (dB) @ 25° C PER MIL-STD-220					COLOR CODE
		85°C	125°C				1 MHz	10 MHz	100 MHz	1GHz	10 GHz	
25	GMV	300	200	5	500	10 G	---	---	---	10	25	BLUE

X-2015 Rev-0

<b>REVISION RECORD</b>	<b>0</b>	<b>1</b>
Original Release	C.O. 20020524-2-01	ADDED NOTES 7 & 8.
	S.M. 05-23-05	20020524-2-01

--TOLERANCES-- Unless Otherwise Specified DECIMAL ±		Title	
ANGLES ±		<b>SOLDER MOUNT EMI FILTER</b>	
<b>TUSONIX</b> TUCSON, ARIZONA		Drawn S.M. 05-28-02	Scale 5 X
<b>A</b>		Approved T.C. 05-28-02	
		<b>4300-009</b>	

# Mouser Electronics

Authorized Distributor

Click to View Pricing, Inventory, Delivery & Lifecycle Information:

[Tusonix / CTS:](#)

[4300-009LF](#)