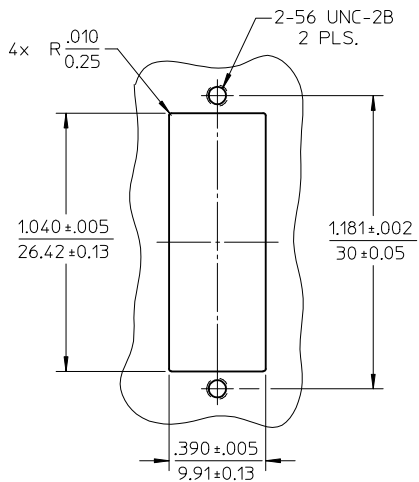
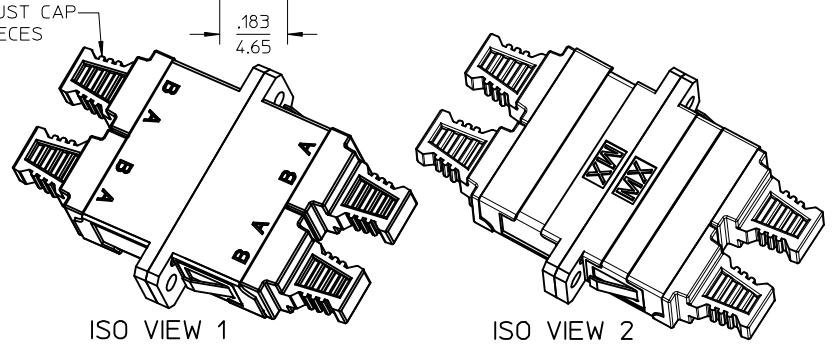
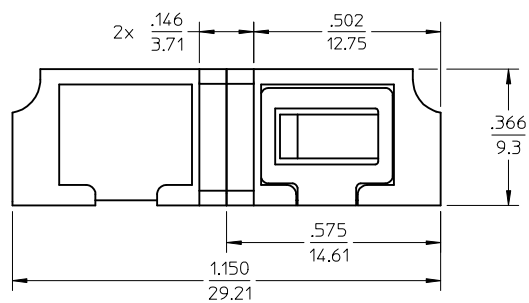
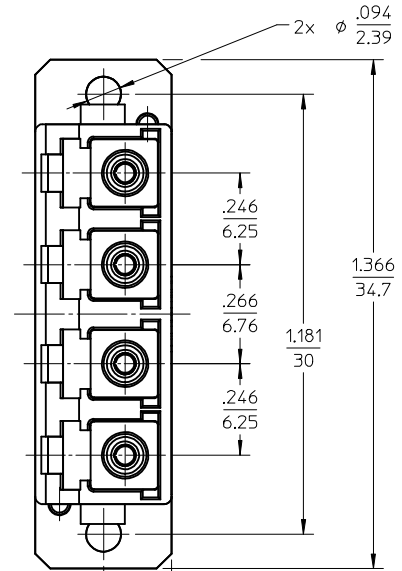
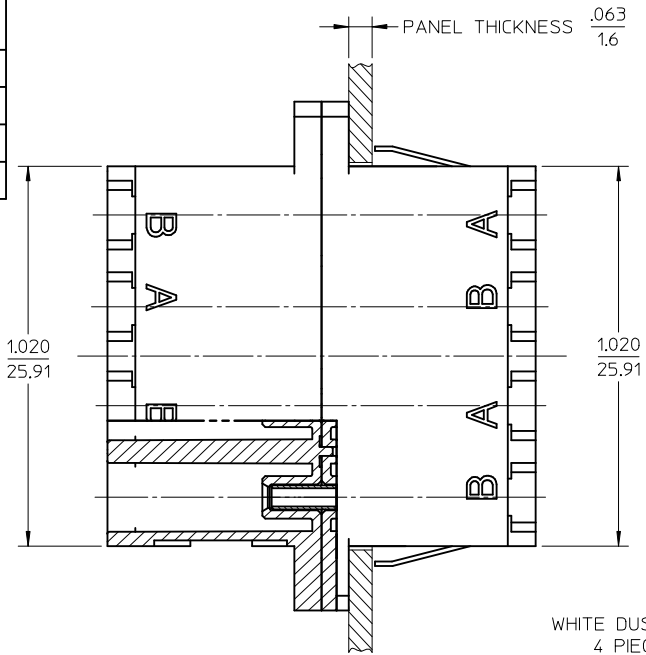


LC QUAD ADAPTER P/N	LC QUAD ADAPTER COLOR	SPLIT SLEEVE MATERIAL
106123-0100	BLUE	ZR
106123-1100	BEIGE	PHOSPHOR BRONZE
106123-2100	GREEN	ZR
106123-3100	AQUA	PHOSPHOR BRONZE



**RECOMMENDED  
MOUNTING PATTERN**  
SCALE 2:1



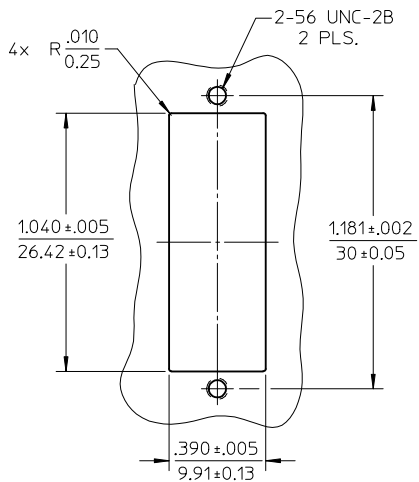
**ISO VIEW 1**  
SCALE 1.5:1

**ISO VIEW 2**  
SCALE 1.5:1

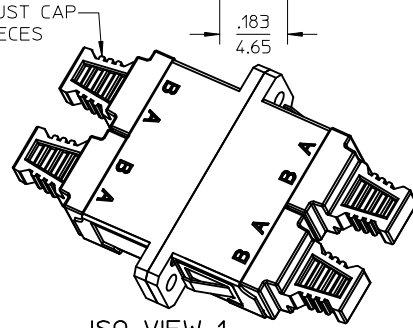
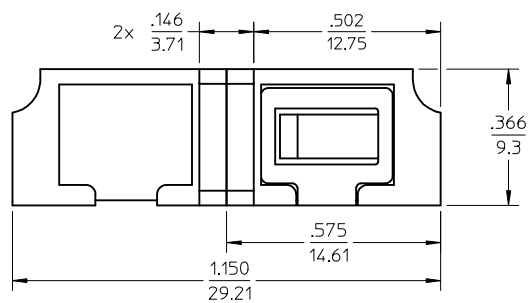
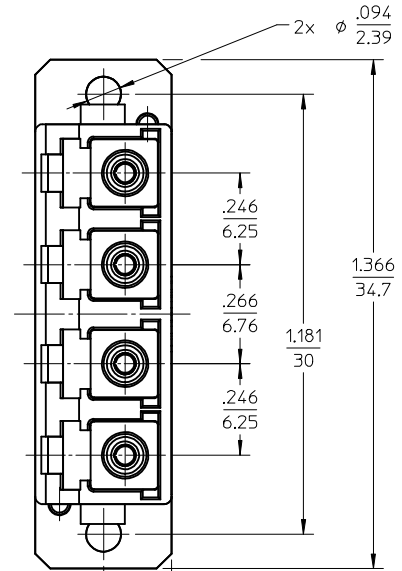
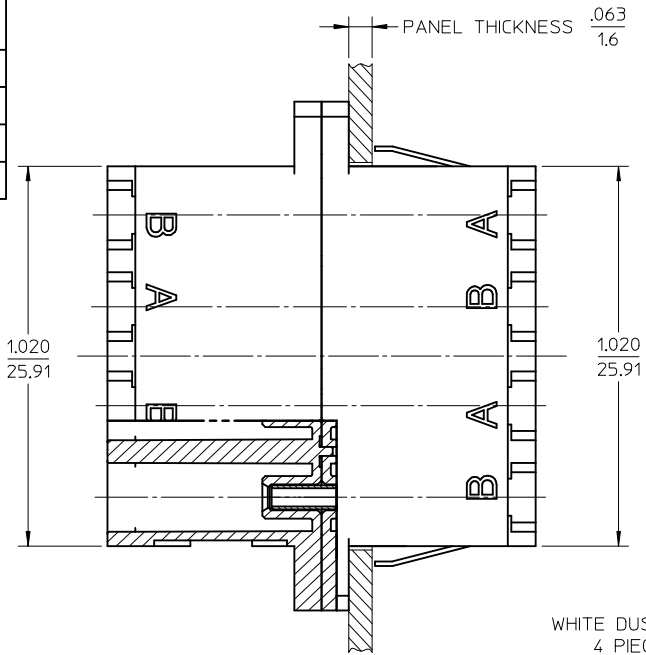
- NOTES:
1. ALL DIMENSIONS ARE FOR REFERENCE.
  2. DUST CAPS NOT SHOWN ON FRONT, BOTTOM AND RIGHT VIEW.
  3. LC QUAD ADAPTER HAS SC DUPLEX ADAPTER FOOTPRINT.

<b>ENTER DESCRIPTION</b> EC NO: MF2013-0549 DRAWN: KPEVZNER 2013/03/07 CHKD: APPR: IGUMIN 2013/03/07 <b>A1</b>	<b>QUALITY SYMBOLS</b> $\nabla = 0$ $\nabla = 0$ $\nabla = 0$	<b>GENERAL TOLERANCES (UNLESS SPECIFIED)</b>		<b>DIMENSION STYLE</b> IN/MM	<b>SCALE</b> 3:1	<b>DESIGN UNITS</b> INCH	THIRD ANGLE PROJECTION	
		4 PLACES ± --- ± --- 3 PLACES ± --- ± --- 2 PLACES ± --- ± --- 1 PLACE ± --- ± --- 0 PLACE ± ±	mm INCH	DRAWN BY DATE PGIBLIN 2005/11/21	<b>TITLE</b> LC QUAD ADAPTER (SCREW AND SNAP MOUNT)			
		ANGULAR ± --- ° DRAFT WHERE APPLICABLE MUST REMAIN WITHIN DIMENSIONS		APPROVED BY DATE	<b>molex</b>			
		<b>SIZE</b> B		MATERIAL NO. <b>SEE TABLE</b>	DOCUMENT NO. SD-106123-X100	SHEET NO. 1 OF 1		

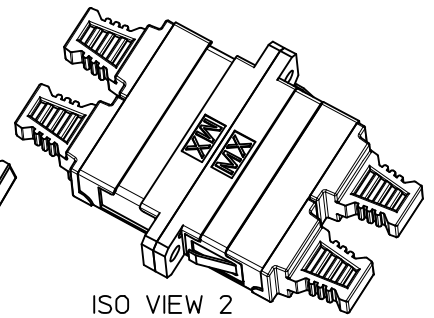
LC QUAD ADAPTER P/N	LC QUAD ADAPTER COLOR	SPLIT SLEEVE MATERIAL
106123-0100	BLUE	ZR
106123-1100	BEIGE	PHOSPHOR BRONZE
106123-2100	GREEN	ZR
106123-3100	AQUA	PHOSPHOR BRONZE



**RECOMMENDED  
MOUNTING PATTERN**  
SCALE 2:1



**ISO VIEW 1**  
SCALE 1.5:1



**ISO VIEW 2**  
SCALE 1.5:1

- NOTES:
1. ALL DIMENSIONS ARE FOR REFERENCE.
  2. DUST CAPS NOT SHOWN ON FRONT, BOTTOM AND RIGHT VIEW.
  3. LC QUAD ADAPTER HAS SC DUPLEX ADAPTER FOOTPRINT.

<b>ENTER DESCRIPTION</b> EC NO: MF2013-0549 DRAWN: KPEVZNER 2013/03/07 CHKD: APPR: IGUMIN 2013/03/07 <b>A1</b>	<b>QUALITY SYMBOLS</b> ▽=0 ▽=0 ▽=0	<b>GENERAL TOLERANCES (UNLESS SPECIFIED)</b>		<b>DIMENSION STYLE</b> IN/MM		<b>SCALE</b> 3:1	<b>DESIGN UNITS</b> INCH	THIRD ANGLE PROJECTION	
		4 PLACES ± --- ± --- 3 PLACES ± --- ± --- 2 PLACES ± --- ± --- 1 PLACE ± --- ± --- 0 PLACE ± ±	mm INCH	DRAWN BY PGIBLIN DATE 2005/11/21	<b>TITLE</b> LC QUAD ADAPTER (SCREW AND SNAP MOUNT)		<b>molex</b>	<b>DOCUMENT NO.</b> SD-106123-X100	<b>SHEET NO.</b> 1 OF 1
		ANGULAR ± --- ° DRAFT WHERE APPLICABLE MUST REMAIN WITHIN DIMENSIONS		CHECKED BY DATE	<b>MATERIAL NO.</b> SEE TABLE				
		APPROVED BY DATE		THIS DRAWING CONTAINS INFORMATION THAT IS PROPRIETARY TO MOLEX INCORPORATED AND SHOULD NOT BE USED WITHOUT WRITTEN PERMISSION					