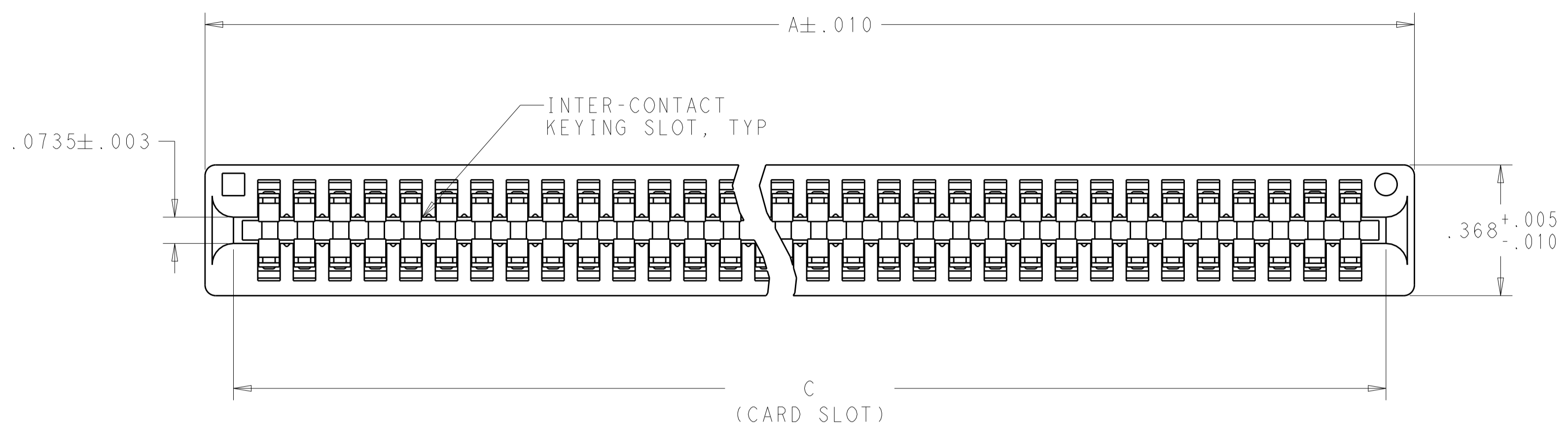
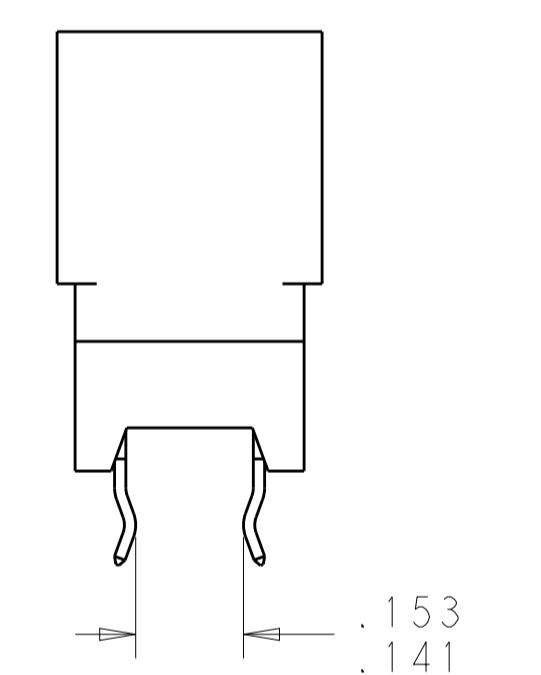
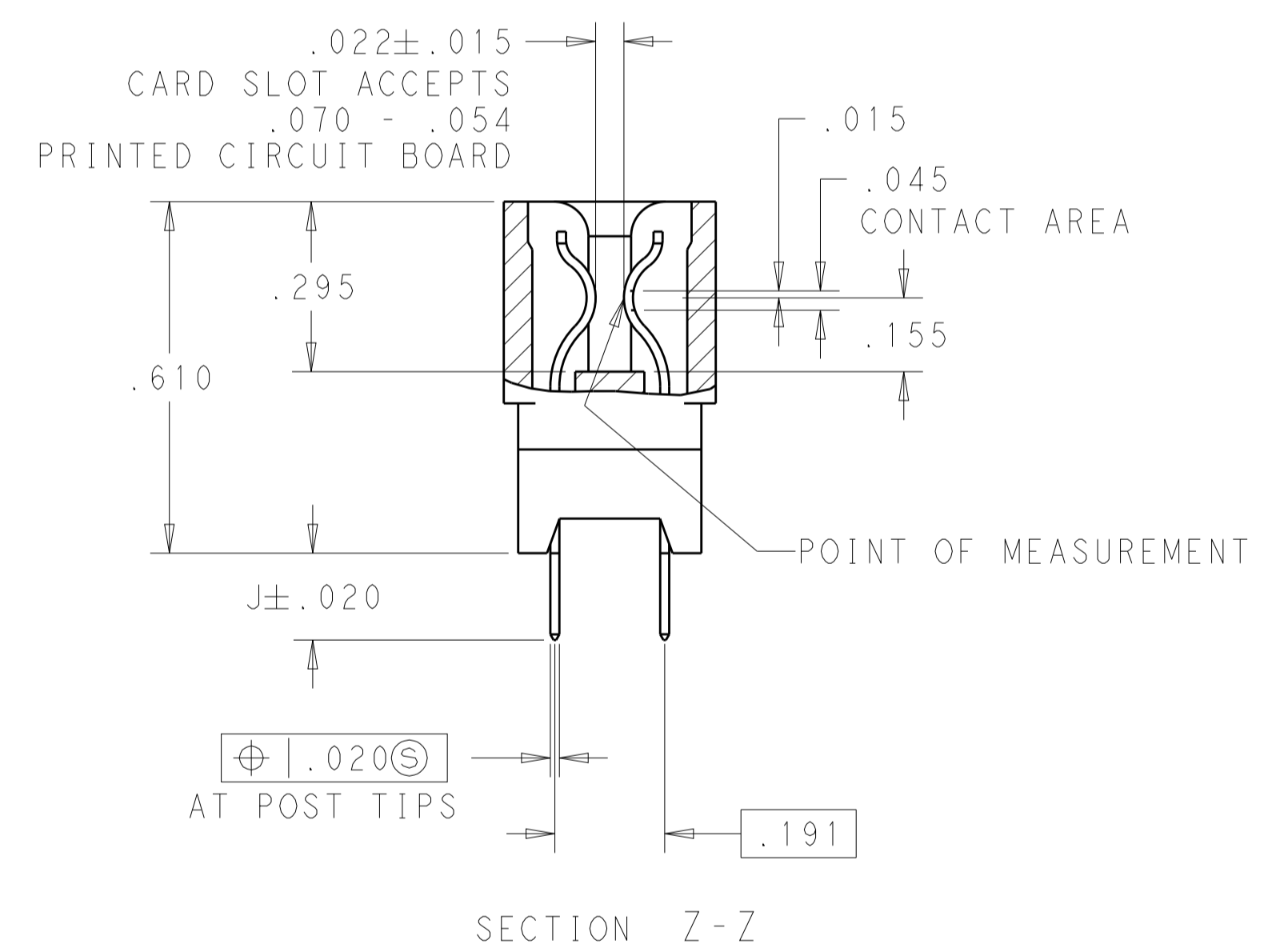
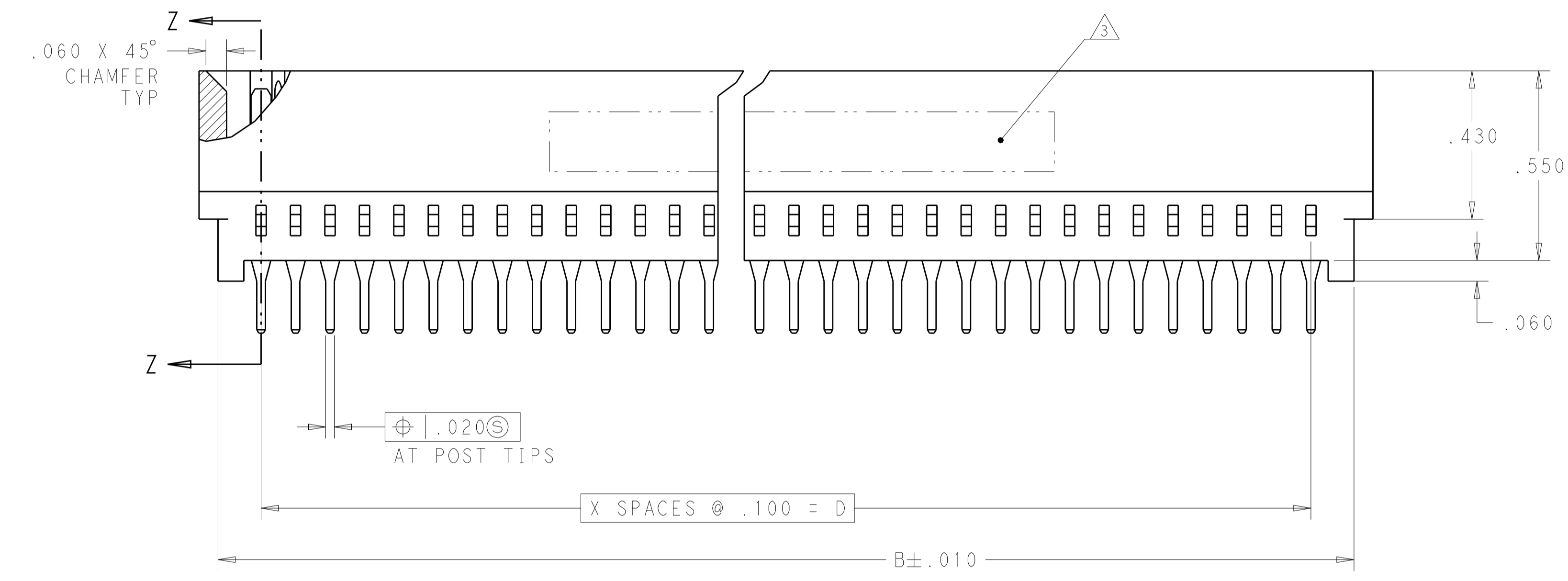


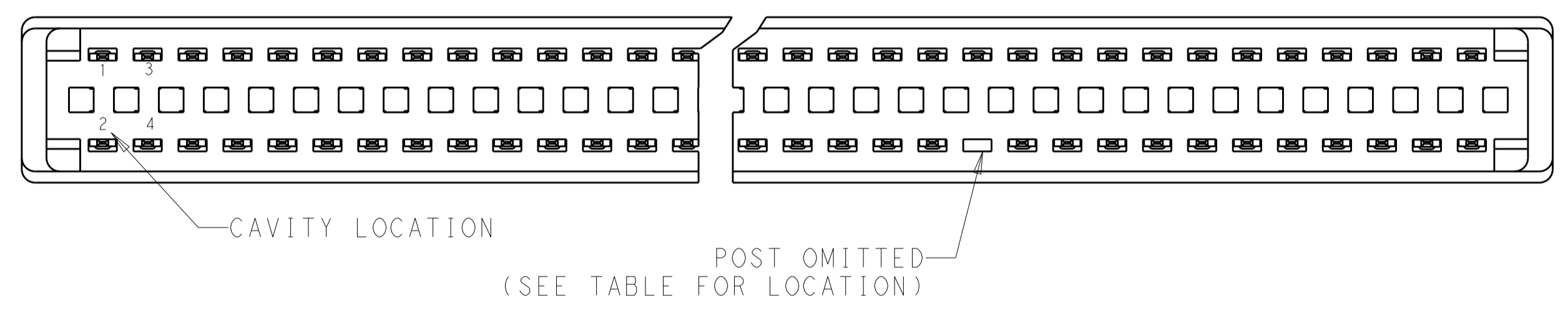
| REVISIONS | | | | |
|-----------|-----|-----------------------|-----------|-------|
| P. | LTM | DESCRIPTION | DATE | APVD |
| F6 | | REV PER ECR-15-006525 | 27APR2014 | SZ SZ |
| F7 | | REV PER ECO-15-007413 | 18MAY2015 | SZ SZ |
| F8 | | REV PER ECR-15-018146 | 15DEC2015 | SZ SZ |



- 1 MATERIAL:
HOUSING - GLASS FILLED POLYESTER, COLOR BLACK
CONTACT - PHOSPHOR BRONZE
- 2 FINISH:
(SEE TABLE FOR GOLD PLATING) IN CONTACT AREA.
.000100 MIN MATTE TIN ON SOLDER POSTS. ALL OVER
.000050 MIN THK. NICKEL
- 3 AMP LOGO, TE PART NUMBER, DATE CODE AND CSA LOGO INK STAMPED WHITE (HOT STAMPED OR LAZER PRINTED) IN THE APPROXIMATE AREA SHOWN, EITHER SIDE PERMISSABLE WHEN HOUSING SIZE PERMITS
- 4. RECOMMENDED PCB FINISHED HOLE $\varnothing .040 \pm .003$
- 5 .000015 MIN
- 6 .000030 MIN
- 7 OBSOLETE PARTS: OBSOLETE CIS STREAMLINING PER D.RENAUD/D.SINISI

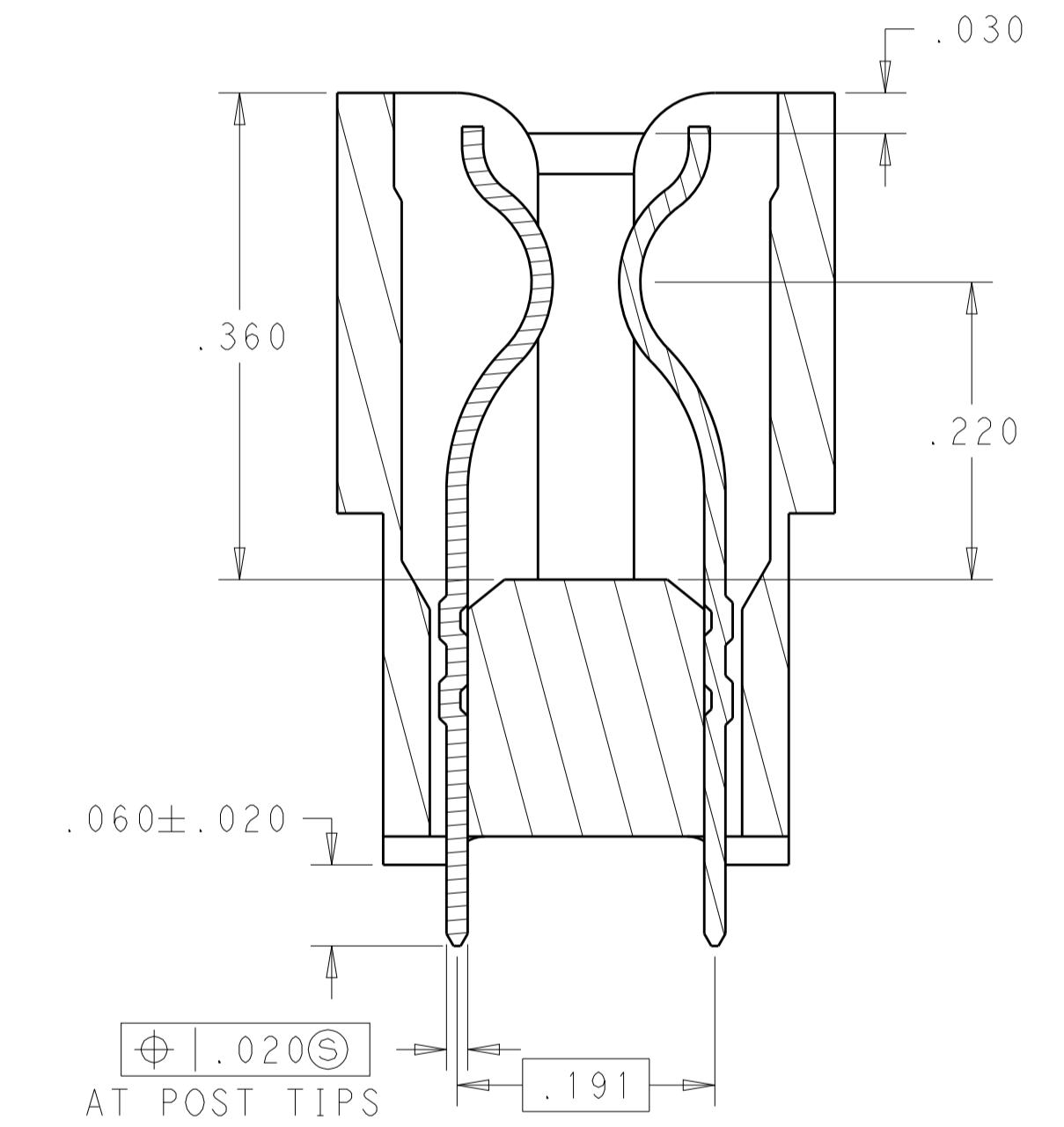
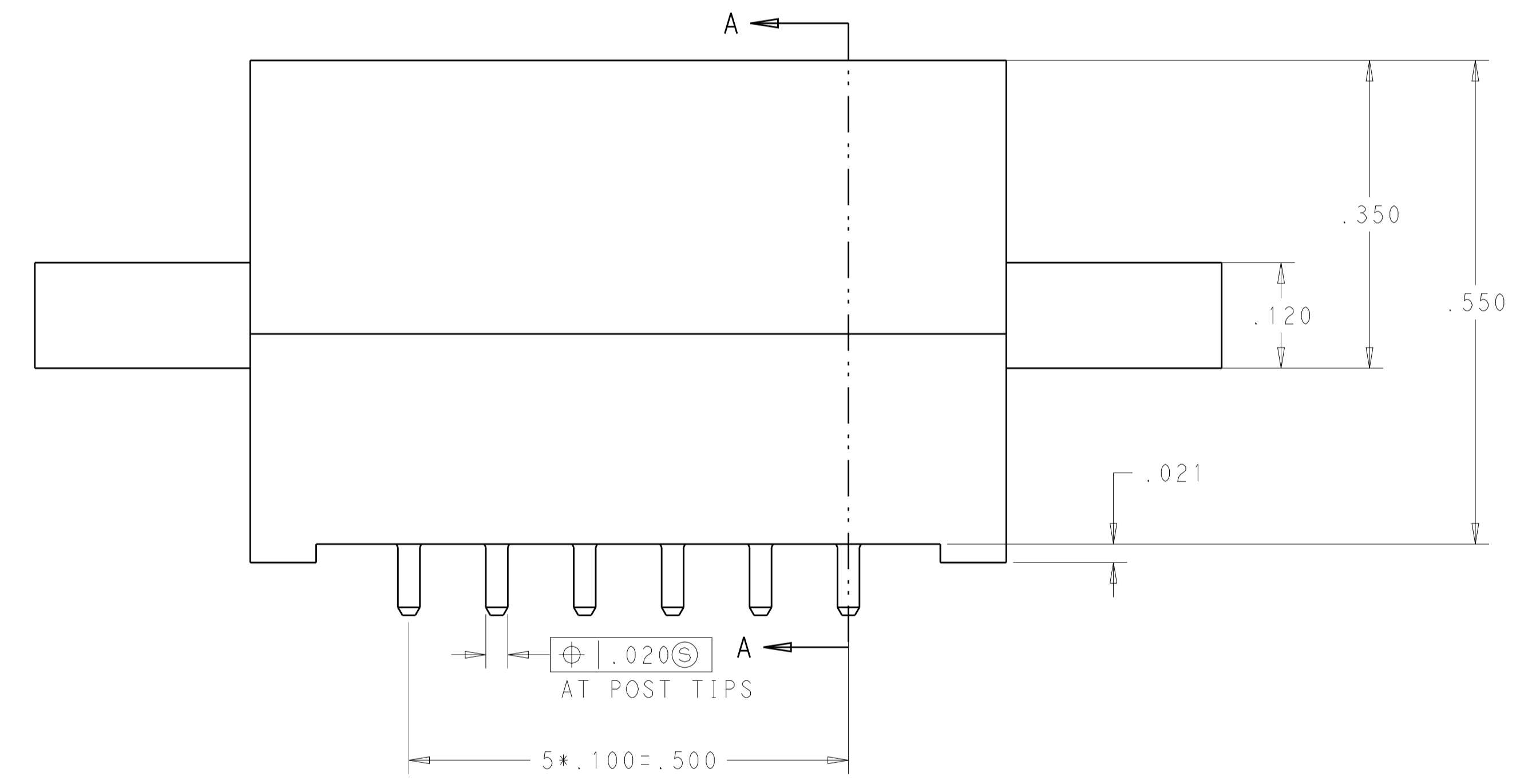
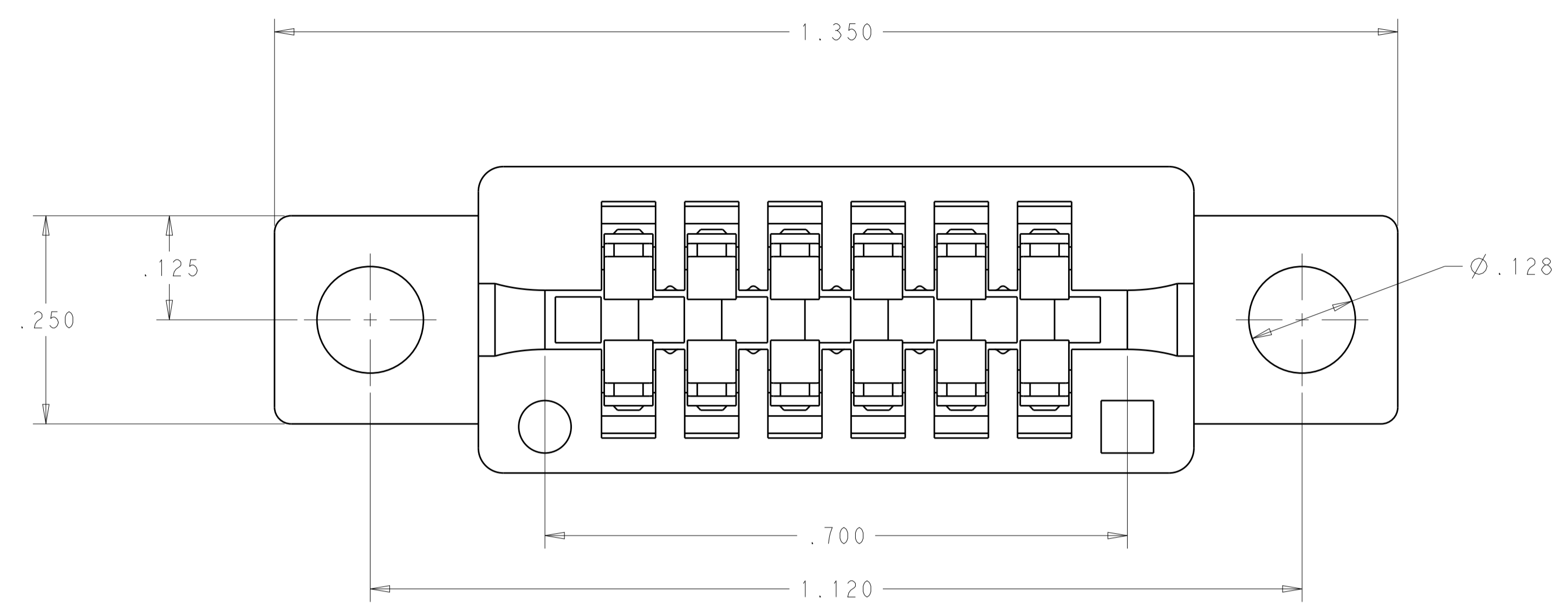


BOARD RETENTION FEATURE
8-530843-3 ONLY

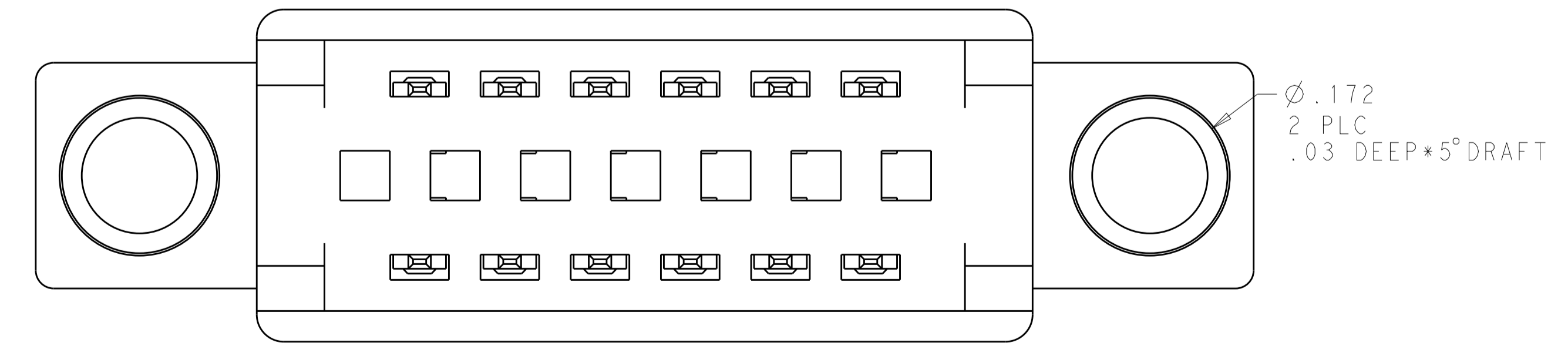


| | | | | |
|--|--------|-----------------------|-------------------|--|
| THIS DRAWING IS A CONTROLLED DOCUMENT. | | DWN AWF/GRZYBOWSKI | 30OCT2009 | TE Connectivity |
| DIMENSIONS: INCHES | | CHK E.HOWARD | APVD M.PERCHEK | |
| TOLERANCES UNLESS OTHERWISE SPECIFIED: | | PRODUCT SPEC | | NAME CONNECTOR ASSEMBLY STANDARD EDGE II, .100 CENTERLINE |
| 0 PLC \pm 1 PLC $\pm .005$ 2 PLC \pm 3 PLC \pm 4 PLC \pm ANGLES ± 2 | | APPLICATION SPEC | | |
| MATERIAL | FINISH | WEIGHT | SIZE A1 | CAGE CODE 5530843 |
| CUSTOMER DRAWING | | SCALE 4:1 | SHEET 1 | OF 4 |
| | | REV F8 | | |

| REVISIONS | | | | |
|-----------|-----|-------------|------|------|
| P. | LTN | DESCRIPTION | DATE | APVD |
| - | - | SEE SHEET 1 | - | - |
| | | | | |
| | | | | |



SECTION A-A



PART 8-5530843-6

| | | | |
|---|--|--|--|
| THIS DRAWING IS A CONTROLLED DOCUMENT. | | DWN: AWF/GRZYBOWSKI 30OCT2009 | TE Connectivity |
| DIMENSIONS: INCHES | | CHK: E. HOWARD | |
| TOLERANCES UNLESS OTHERWISE SPECIFIED: | | APVD: M. PERCHERK 30OCT2009 | NAME: CONNECTOR ASSEMBLY STANDARD EDGE II, .100 CENTERLINE |
| 0 PLC ±. 1 PLC ±. 2 PLC ±.005 3 PLC ±. 4 PLC ±. ANGLES ±. FINISH #2 | | PRODUCT SPEC: 108-9039 APPLICATION SPEC: 114-13018 WEIGHT: - CUSTOMER DRAWING | |
| MATERIAL: - | | SIZE: A1 | RESTRICTED TO: - |
| SCALE: 4:1 | | CAGE CODE: 5530843 | SHEET 2 OF 4 |
| REV: F8 | | DATE: - | |

| REVISIONS | | | | |
|-----------|-----|-------------|------|------|
| P. | LTN | DESCRIPTION | DATE | APPD |
| - | - | SEE SHEET 1 | - | - |
| | | | | |
| | | | | |

| | |
|-------------|-------------|
| OBSOLETE | 8-5530843-2 |
| OBSOLETE | 8-5530843-1 |
| OBSOLETE | 4-5530843-1 |
| OBSOLETE | 1-5530843-9 |
| OBSOLETE | 1-5530843-2 |
| PART NUMBER | |

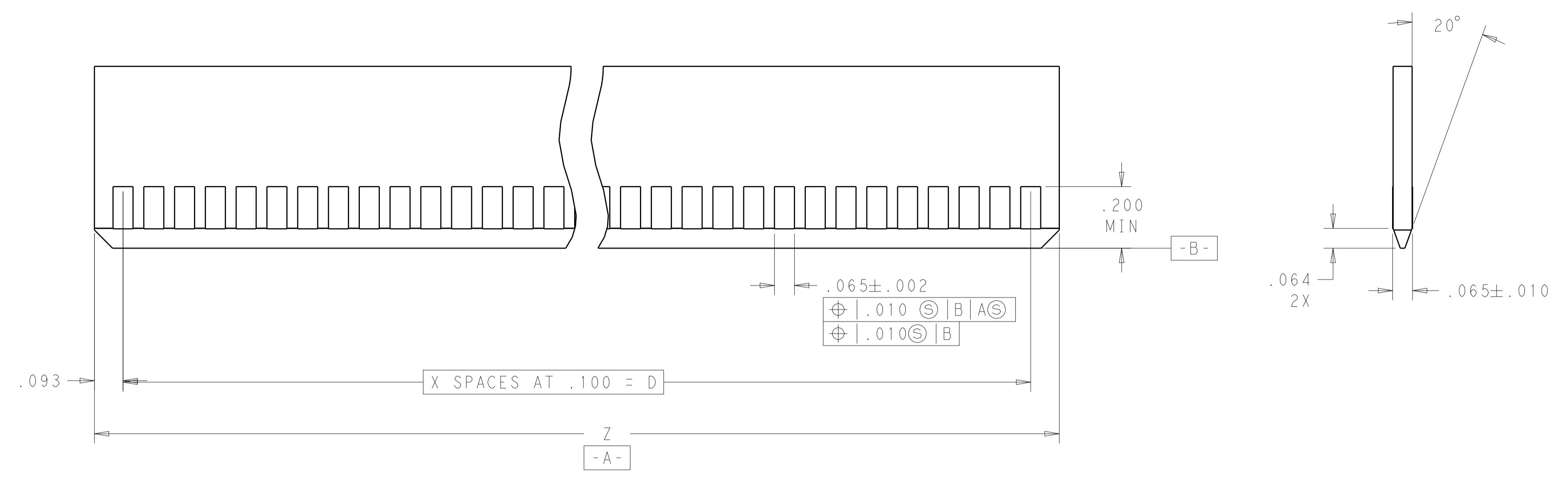
| FEATURE | LOCATIONS | FINISH | Z | J | D | C | B | A | X | NO. OF DUAL POSITIONS | PART NUMBER |
|-------------|--|--------|-------|------|-------|-------|-------|-------|----|-----------------------|-------------|
| F8 | 3, 4, 21, 22, 25, 26, 29, 30, 33, 34 | △6 | 1.886 | .125 | 1.700 | 1.900 | 1.950 | 2.060 | 17 | 18 | 9-5530843-2 |
| F6 | 9, 10, 11, 12, 19, 20, 21, 22, 29, 30, 31, 32 | △6 | 2.086 | .125 | 1.900 | 2.100 | 2.150 | 2.260 | 19 | 20 | 9-5530843-1 |
| F6 | 13, 14, 15, 16, 27, 28, 29, 30 | △6 | 2.086 | .125 | 1.900 | 2.100 | 2.150 | 2.260 | 19 | 20 | 9-5530843-0 |
| F4 | 3, 4, 5, 6, 9, 10, 13, 14, 17, 18, 19, 20, 21, 22 | △6 | 1.286 | .125 | 1.100 | 1.300 | 1.350 | 1.460 | 11 | 12 | 8-5530843-9 |
| | 11, 12, 23, 24, 29, 30, 35, 36, 37, 38 | △6 | 2.086 | .125 | 1.900 | 2.100 | 2.150 | 2.260 | 19 | 20 | 8-5530843-8 |
| | 17, 18, 19, 20 | △6 | 1.286 | .125 | 1.100 | 1.300 | 1.350 | 1.460 | 11 | 12 | 8-5530843-7 |
| | | △6 | 0.686 | - | .500 | .700 | - | - | 5 | 6 | 8-5530843-6 |
| | | △6 | 1.286 | .187 | 1.100 | 1.300 | 1.350 | 1.460 | 11 | 12 | 8-5530843-5 |
| | 19, 20, 21, 22, 23, 24, 27, 28, 31, 32, 35, 36, 39 40, 43, 44, 45, 46, 47, 48, 51, 52, 55, 56, 59, 60 | △6 | 3.186 | .125 | 3.000 | 3.200 | 3.250 | 3.360 | 30 | 31 | 8-5530843-4 |
| | 3, 4, 5, 6, 19, 20, 21, 22 | △6 | 1.286 | .125 | 1.100 | 1.300 | 1.350 | 1.460 | 11 | 12 | 8-5530843-3 |
| | - | △6 | .386 | .125 | .200 | .400 | .450 | .560 | 2 | 3 | 7-5530843-7 |
| | - | △6 | .686 | .187 | .500 | .700 | .750 | .860 | 5 | 6 | 7-5530843-6 |
| | - | △6 | .686 | .125 | .500 | .700 | .750 | .860 | 5 | 6 | 7-5530843-5 |
| | - | △5 | 3.186 | .125 | 3.000 | 3.200 | 3.250 | 3.360 | 30 | 31 | 7-5530843-0 |
| | - | △6 | 3.186 | .125 | 3.000 | 3.200 | 3.250 | 3.360 | 30 | 31 | 6-5530843-5 |
| △7 OBSOLETE | - | △6 | 6.086 | .125 | 5.900 | 6.100 | 6.150 | 6.260 | 59 | 60 | 5-5530843-5 |
| | - | △6 | 2.086 | .125 | 1.900 | 2.100 | 2.150 | 2.260 | 19 | 20 | 5-5530843-4 |
| | - | △6 | 1.786 | .125 | 1.600 | 1.800 | 1.850 | 1.960 | 16 | 17 | 5-5530843-3 |
| | - | △6 | 1.086 | .125 | .900 | 1.100 | 1.150 | 1.260 | 9 | 10 | 5-5530843-0 |
| | - | △5 | 1.886 | .125 | 1.700 | 1.900 | 1.950 | 2.060 | 17 | 18 | 2-5530843-7 |
| | - | △6 | 3.586 | .125 | 3.400 | 3.600 | 3.650 | 3.760 | 34 | 35 | 2-5530843-3 |
| | - | △6 | 5.086 | .187 | 4.900 | 5.100 | 5.150 | 5.260 | 49 | 50 | 2-5530843-2 |
| | - | △6 | 4.086 | .187 | 3.900 | 4.100 | 4.150 | 4.260 | 39 | 40 | 2-5530843-0 |
| | - | △6 | 3.086 | .187 | 2.900 | 3.100 | 3.150 | 3.260 | 29 | 30 | 1-5530843-8 |
| | - | △6 | 2.586 | .187 | 2.400 | 2.600 | 2.650 | 2.760 | 24 | 25 | 1-5530843-6 |
| | - | △6 | 4.386 | .125 | 4.200 | 4.400 | 4.450 | 4.560 | 42 | 43 | 1-5530843-0 |
| | - | △6 | 3.686 | .125 | 3.500 | 3.700 | 3.750 | 3.860 | 35 | 36 | 5530843-8 |
| | - | △6 | 3.086 | .125 | 2.900 | 3.100 | 3.150 | 3.260 | 29 | 30 | 5530843-7 |
| | - | △6 | 2.886 | .125 | 2.700 | 2.900 | 2.950 | 3.060 | 27 | 28 | 5530843-6 |
| | - | △6 | 2.586 | .125 | 2.400 | 2.600 | 2.650 | 2.760 | 24 | 25 | 5530843-5 |
| | - | △6 | 2.286 | .125 | 2.100 | 2.300 | 2.350 | 2.460 | 21 | 22 | 5530843-4 |
| | - | △6 | 1.886 | .125 | 1.700 | 1.900 | 1.950 | 2.060 | 17 | 18 | 5530843-3 |
| | - | △6 | 1.586 | .125 | 1.400 | 1.600 | 1.650 | 1.760 | 14 | 15 | 5530843-2 |
| | - | △6 | 1.286 | .125 | 1.100 | 1.300 | 1.350 | 1.460 | 11 | 12 | 5530843-1 |
| OMITTED PIN | BOARD RETENTION FEATURE LOCATION (SEE DETAIL Y) | FINISH | Z | J | D | C | B | A | X | NO. OF DUAL POSITIONS | PART NUMBER |

THIS DRAWING IS A CONTROLLED DOCUMENT. DIMENSIONS: INCHES. TOLERANCES UNLESS OTHERWISE SPECIFIED: 0 PLC ±.005, 1 PLC ±.005, 2 PLC ±.005, 3 PLC ±.005, 4 PLC ±.005, ANGLES ±.02. MATERIAL: -. FINISH: -. WEIGHT: -. CUSTOMER DRAWING.

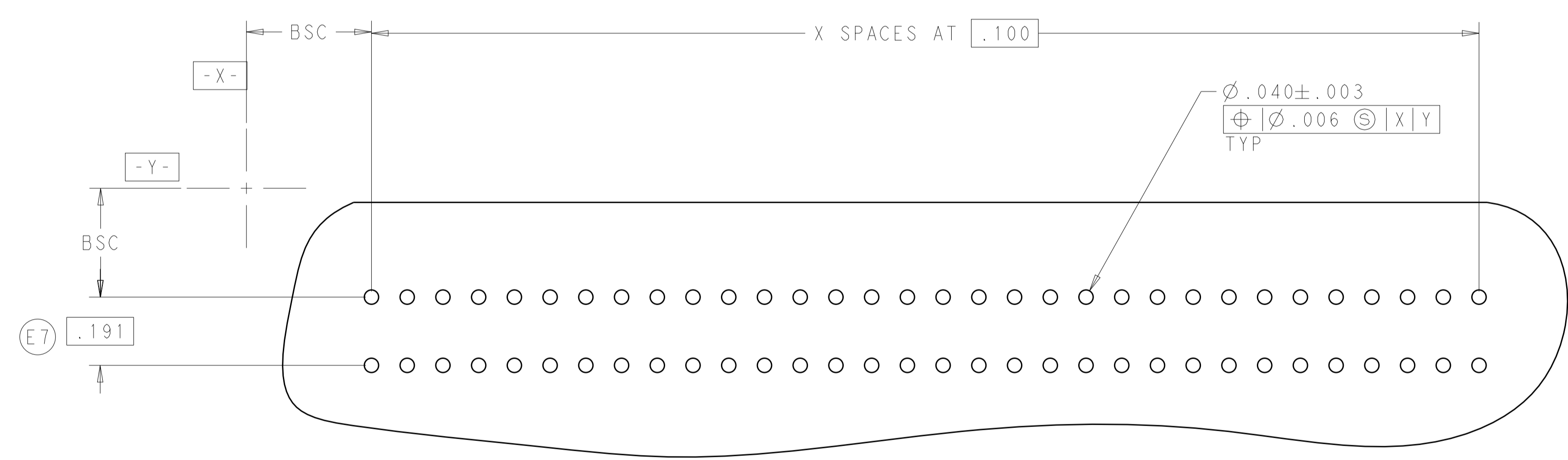
DWN: JAW/GRZYBOWSKI, CHS: E.HOWARD, APVD: M.PERCHEK. PRODUCT SPEC: 108-9039, APPLICATION SPEC: 114-13018. SIZE: A1, CAGE CODE: 00779, DRAWING NO: 5530843. SCALE: 4:1, SHEET 3 OF 4, REV: F8.

STE TE Connectivity
 CONNECTOR ASSEMBLY STANDARD EDGE II, .100 CENTERLINE

| REVISIONS | | | | |
|-----------|-----|-------------|------|------|
| P. | LTN | DESCRIPTION | DATE | APVD |
| - | - | SEE SHEET 1 | - | - |
| | | | | |
| | | | | |



RECOMMENDED MAIN BOARD EDGE CONFIGURATION



RECOMMENDED PC BOARD HOLE LAYOUT

| | | | | |
|--|--|--|------------------|---|
| THIS DRAWING IS A CONTROLLED DOCUMENT. | | DWN: AWF/GRZYBOWSKI | 30OCT2009 | TE Connectivity |
| DIMENSIONS: INCHES | | CHK: E. HOWARD | APVD: M. PERCHER | |
| TOLERANCES UNLESS OTHERWISE SPECIFIED: 0 PLC ±. 1 PLC ±.005 2 PLC ±. 3 PLC ±. 4 PLC ±. ANGLES ±. | | PRODUCT SPEC: 108-9039 APPLICATION SPEC: 114-13018 WEIGHT: | | NAME: CONNECTOR ASSEMBLY STANDARD EDGE II, .100 CENTERLINE SIZE: A100779 CAGE CODE: 5530843 CUSTOMER DRAWING |
| MATERIAL: FINISH: | | SCALE: 4:1 | | SHEET 4 OF 4 REV F8 |

Mouser Electronics

Authorized Distributor

Click to View Pricing, Inventory, Delivery & Lifecycle Information:

[TE Connectivity:](#)

[8-5530843-3](#)