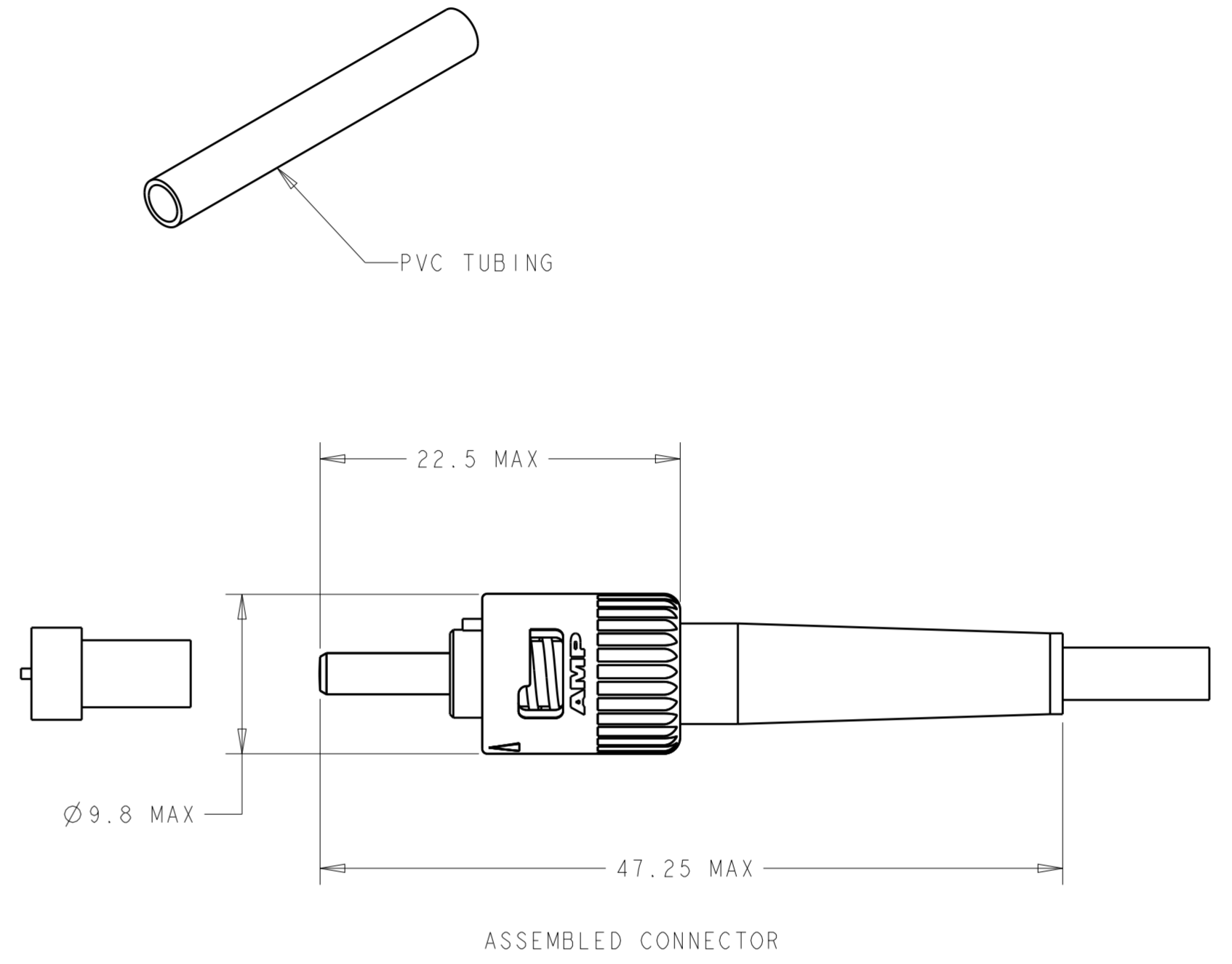
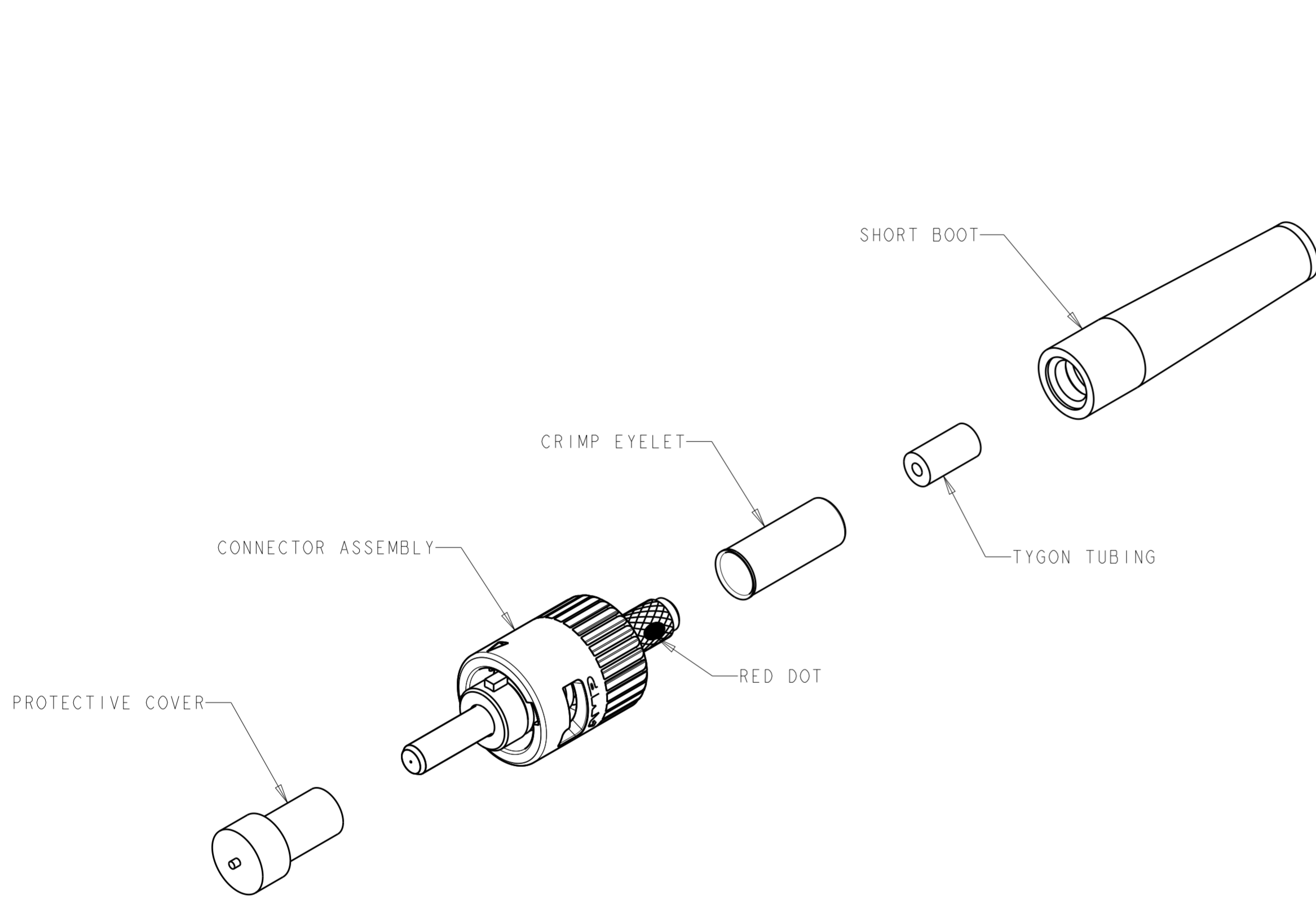


THIS DRAWING IS UNPUBLISHED. RELEASED FOR PUBLICATION 20
 © COPYRIGHT 20 BY - ALL RIGHTS RESERVED.

LOC	DIST	REVISIONS			
P	LTR	DESCRIPTION	DATE	DWN	APVD
CE	00	C	REV; ECO-13-008563	22MAY2013	GG TE



- 1 MATERIAL:
 PROTECTIVE COVER: LDPE, COLOR: BLACK, NON-FR.
 CONNECTOR ASSEMBLY:
 FERRULE ASSEMBLY: CERAMIC/NICKEL PLATED BRASS.
 SPRING: STAINLESS STEEL.
 COUPLING NUT: ZINC.
 RETENTION RING: STAINLESS STEEL.
 CRIMP EYELET: TIN PLATED COPPER.
 SHORT BOOT: TPE, SEE DASH NUMBERS FOR COLOR*
 TYGON TUBING: TYGON, COLOR: CLEAR.
 PVC TUBING: PVC, COLOR: BLACK, NON-FR.
 *UL94 V-0 RATED AT QUALIFYING THICKNESS.
 BUFFER BOOT: TPE, SEE DASH NUMBERS FOR COLOR.

2 BULK PACKAGE.

3. INSTRUCTION SHEET: 408-9971 AVAILABLE FOR DOWNLOAD AT:
www.tycoelectronics.com/documents OR www.ampnetconnect.com/foguide

2	YELLOW	PVC	YELLOW	126 µm	5502580-8
2	-	-	BLUE	126 µm	5502580-7
2	YELLOW	-	YELLOW	126 µm	5502580-4
	YELLOW	PVC AND TYGON	YELLOW	126 µm	5502580-2
	BUFFER BOOT	TUBING	SHORT BOOT	FIBER SIZE	PART NUMBER

THIS DRAWING IS A CONTROLLED DOCUMENT.

DIMENSIONS: mm [INCHES]	TOLERANCES UNLESS OTHERWISE SPECIFIED: 0 PLC ± 1 PLC ± 2 PLC ± 3 PLC ± 4 PLC ± ANGLES ± FINISH	DWN B. BRIGGS 05APR2005 CHK S. BUCHTER 05APR2005 APVD S. BUCHTER 05APR2005	TE Connectivity	
MATERIAL		PRODUCT SPEC	NAME CONNECTOR KIT, 2.5mm BAYONET, SINGLEMODE, OPTIMATE	
		APPLICATION SPEC	SIZE	RESTRICTED TO
		WEIGHT	A200779 C-5502580	
		Customer Drawing	SCALE 3:1	SHEET 1 OF 1 REV C