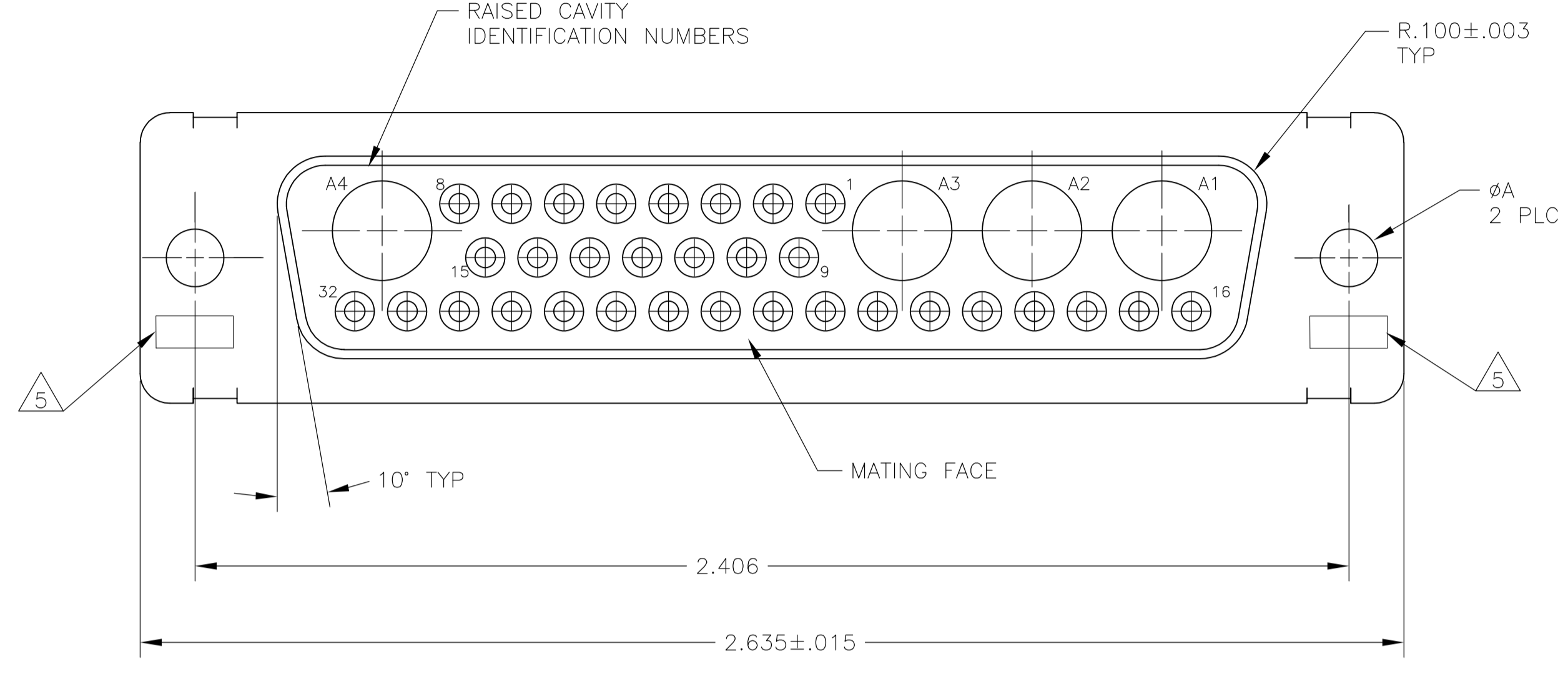
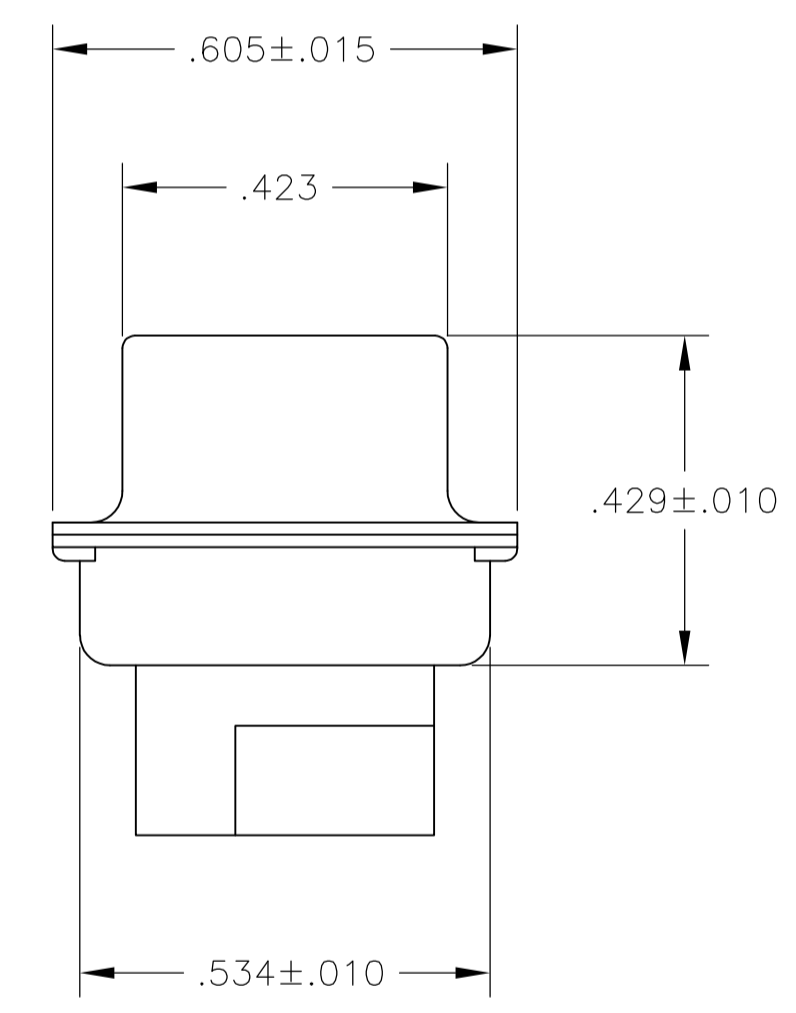
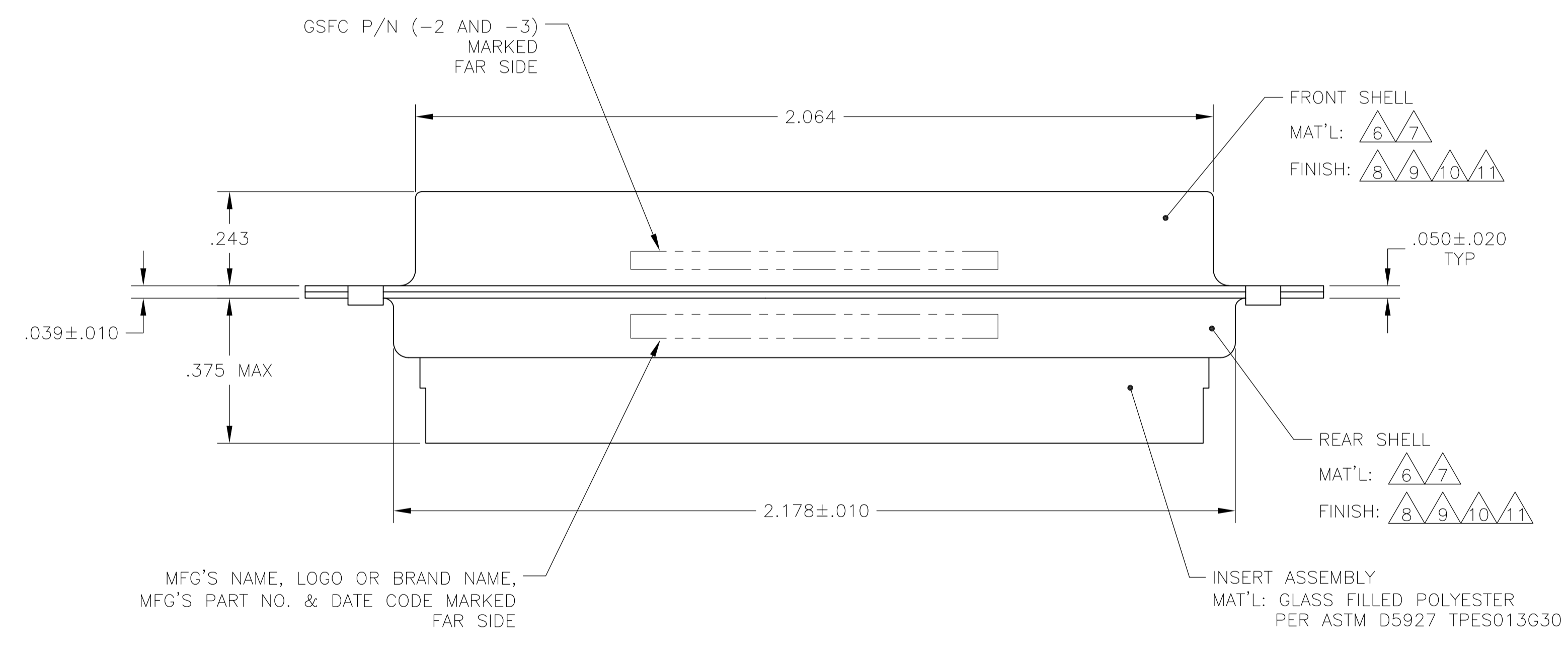


LOC		DIST		REVISIONS			
P	LTR	DESCRIPTION	DATE	DN	APVD		
T	REV PER ECO	15-016251	11-12-13	CT	CD		

1. THIS RECEPTACLE WILL MATE WITH ANY 36C4, SIZE 5 PLUG IN AMPLIMITE SERIES.
2. MAXIMUM WIRE INSULATION TO BE USED WITH THIS RECEPTACLE IS  $\phi.072$ .
3. THIS CONNECTOR ACCEPTS (4) POWER 8, OR COAX SOCKET CONTACTS IN POSITIONS A1 THRU A4, PURCHASED SEPARATELY.
4. THIS CONNECTOR ACCEPTS SIZE 20 SOCKET CONTACTS IN POSITIONS 1 THRU 32, PURCHASED SEPARATELY.



- 5 UL/CSA DESIGNATION STAMPED IN THIS AREA, OPTIONAL.
- 6 MATERIAL: STEEL PER ASTM-A-109.
- 7 MATERIAL: BRASS PER MIL-C-50 AND ASTM-B-36 UNS NO. C26000.
- 8 FINISH: CADMIUM PLATED PER QQ-P-416, TYPE II, CLASS 2.
- 9 FINISH: GOLD PER MIL-G-45204 TYPE II, GRADE C, CLASS 1 OVER COPPER PER MIL-C-14550, CLASS IV.
- 10 FINISH: TIN PER ASTM-B-545 .000200 MIN THK OVER COPPER PER AMS2418 .000100-.000200 THK.
- 11 FINISH: ZINC PLATE PER ASTM-B-633 .000200-.000400 THK WITH SUPPLEMENTARY CHROMATE (Cr3+).



REMARKS	$\phi A$	GSFC P/N	PART NO.
6 10	.120	-	5-208550-4
6 11	.120	-	5-208550-1
6 10	.120	-	208550-4
7 9	.154	311P405-23S-B-15	208550-3
7 9	.120	311P405-23S-B-12	208550-2
6 8	.120	-	208550-1

THIS DRAWING IS A CONTROLLED DOCUMENT.

APPROVED: T. SHUEY 07-JAN-88  
 CHK: A. EMADI 27-JAN-88  
 NAME: A. EMADI 27-JAN-88

STE TE Connectivity

RECEPTACLE ASSEMBLY  
 AMPLIMITE 36C4  
 SIZE 5, COAX MIX

DIMENSIONS:	TOLERANCES UNLESS OTHERWISE SPECIFIED:	SIZE	CAGE CODE	DRAWING NO	RESTRICTED TO
0 PLC	± .005	A1	00779	208550	-
1 PLC	± .005				
2 PLC	± .005				
3 PLC	± .005(0.13)				
4 PLC	± .005				
ANGLES	± 0° 30'				

CUSTOMER DRAWING SCALE 4:1 SHEET 1 OF 1 REV T

# Mouser Electronics

Authorized Distributor

Click to View Pricing, Inventory, Delivery & Lifecycle Information:

[TE Connectivity:](#)

[5-208550-1](#)