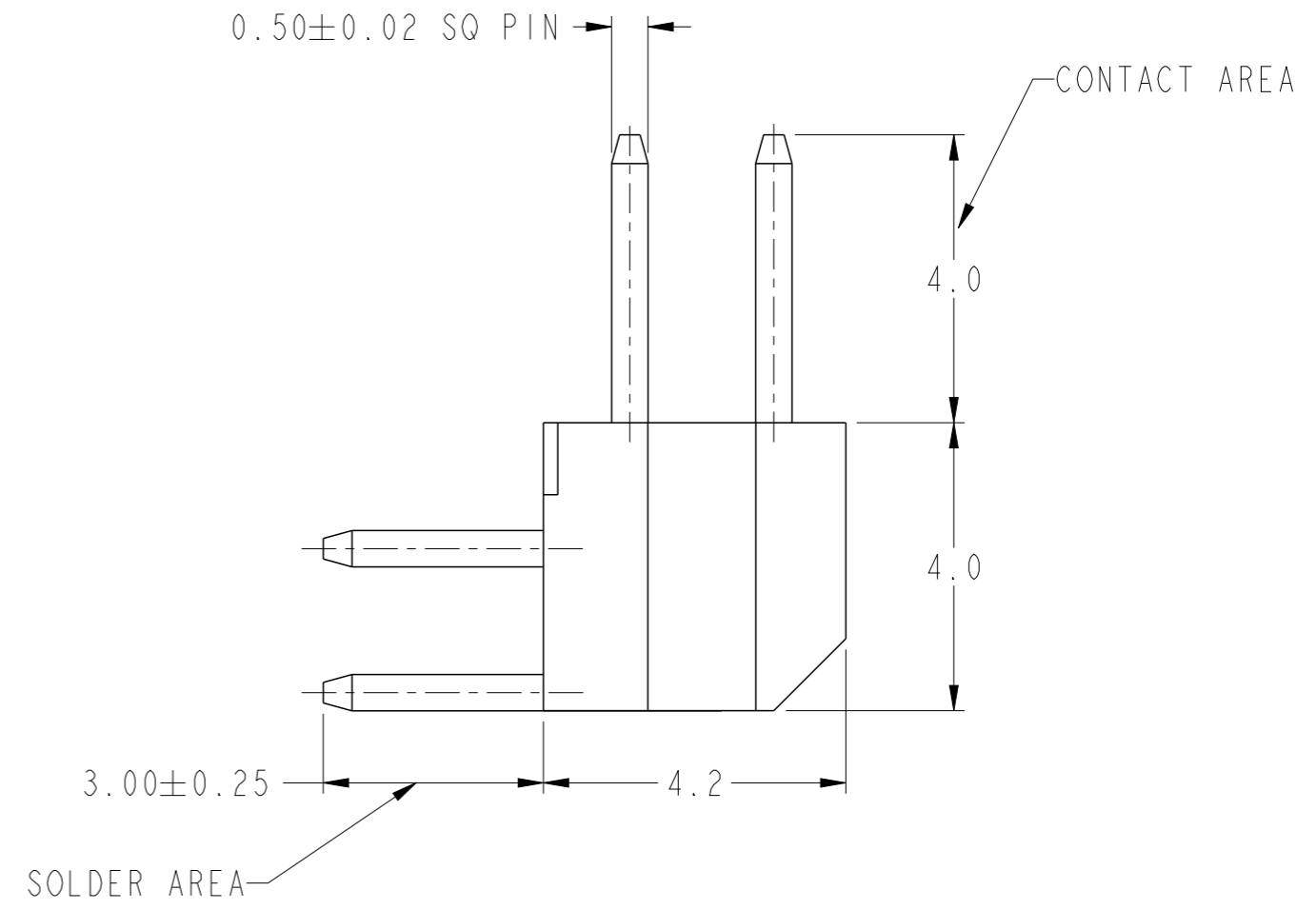
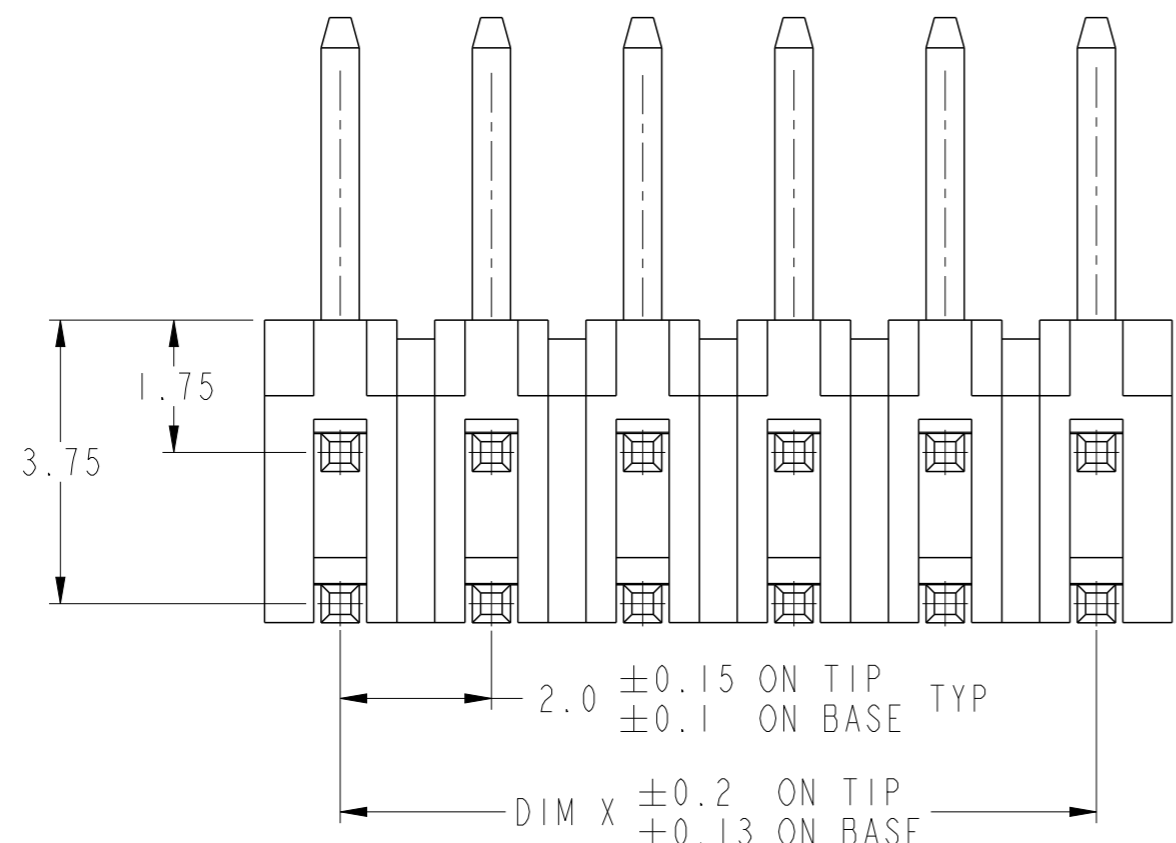


PCB THICKNESS: 1.6 ± 0.1

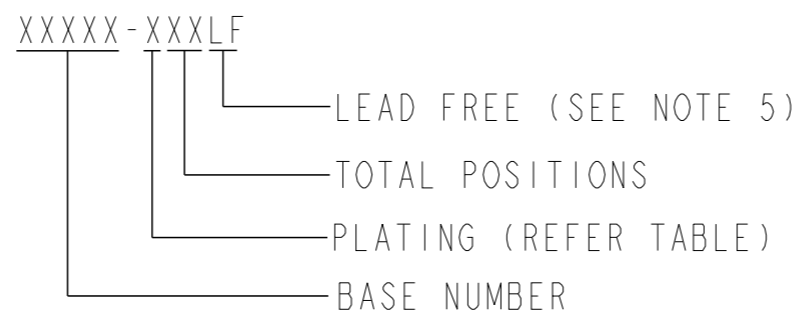
RECOMMENDED MOUNTING HOLE LAYOUT



spec ref	-	dr	Andrew Yong	2010/10/23	projection	MM	size	A3	scale	10:1
tolerance std	ISO 406 ISO 1101	eng	Yuan-Yuan Bao	2021/08/10			ecn no		ELX-N-41765-1	
TOLERANCES UNLESS OTHERWISE SPECIFIED		chr	-	-			rel level		Released	
surface	linear	appr	Tim Yao	2021/08/11	product family		MINITEK		dwg no	
ISO 1302	angular	Amphenol FCI		MINITEK II HEADER		86453		rev		J
		amphenol-icc.com	cat. no.	-	Product - Customer Drw		sheet 1 of 2			

PRODUCT NO	POS	DIM X	DIM Y
86453-X02	2 X 1	— OBSOLETE —	
X04	2 X 2	2	4
X06	2 X 3	4	6
X08	2 X 4	6	8
X10	2 X 5	8	10
X12	2 X 6	10	12
X14	2 X 7	12	14
X16	2 X 8	14	16
X18	2 X 9	16	18
X20	2 X 10	18	20
X22	2 X 11	20	22
X24	2 X 12	22	24
X26	2 X 13	24	26
X28	2 X 14	26	28
X30	2 X 15	28	30
X32	2 X 16	30	32
X34	2 X 17	32	34
X36	2 X 18	34	36
X38	2 X 19	36	38
X40	2 X 20	38	40
X42	2 X 21	40	42
X44	2 X 22	42	44
X46	2 X 23	44	46
X48	2 X 24	46	48
X50	2 X 25	48	50

PRODUCT DESCRIPTION CODE :



NOTES:

- MATERIAL:
 BODY : GLASS FILLED NYLON UL 94V-0 BLACK
 PIN : PHOSPHOR BRONZE
- TOLERANCE UNLESS OTHERWISE NOTED ±0.25
- DIM 1.0 APPLIES TO MOLDED SIDE(S) ONLY. IF SIDE(S) ARE SAW, DIM 0.5 MIN APPLIES.
- RECESS APPLIES TO MOLDED SIDE(S) ONLY.
- P/N:86453-XXXLF IS SAME AS P/N:86453-XXX. THE SUFFIX 'LF' IS ADDED JUST FOR EASY LEAD FREE IDENTIFICATION
- THE HOUSING WILL WITHSTAND EXPOSURE TO 260°C PEAK TEMPERATURE FOR 10 SECONDS IN A WAVE SOLDER APPLICATION WITH A 1.57MM MINIMUM THICK CIRCUIT BOARD.
- THIS PRODUCT MEETS EUROPEAN UNION DIRECTIVES AND OTHER COUNTRY REGULATIONS AS DESCRIBED IN GS-22-008.

PLATING	DESCRIPTION
0	0.2µm Au
1	0.76µm Au
2	UNASSIGNED
3	0.38µm Au
4	UNASSIGNED
5	0.38µm GXT
6	0.76µm GXT
7	0.76µm AU OVER NI ON CONTACT AREA 2.54µm MATTE TIN OVER NI ON SOLDER AREA
8	0.38µm AU OVER NI ON CONTACT AREA 2.54µm MATTE TIN OVER NI ON SOLDER AREA
9	0.20µm AU OVER NI ON CONTACT AREA 2.54µm MATTE TIN OVER NI ON SOLDER AREA
A	GOLD FLASH OVER NI ON CONTACT AREA 2.54µm MATTE TIN OVER NI ON SOLDER AREA
B	2.54µm MATTE TIN OVER NI OVERALL

spec ref	-	dr	Andrew Yong	2010/10/23	projection	MM	size	A3	scale	10:1	
tolerance std	ISO 406 ISO 1101	eng	Yuan-Yuan Bao	2021/08/10		← →	ecn no	ELX-N-41765-1			
TOLERANCES UNLESS OTHERWISE SPECIFIED		chr	-	-			product family	MINITEK	rel level	Released	
surface	linear	appr	Tim Yao	2021/08/11	MINITEK II HEADER		dwg no	86453		rev	J
ISO 1302	angular	amphenol-icc.com		cat. no.	-		Product - Customer Drw		sheet 2 of 2		