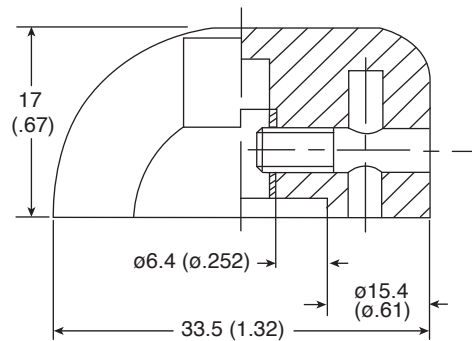
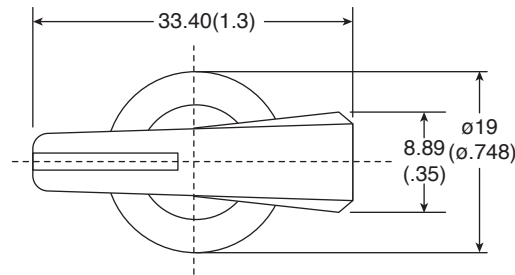
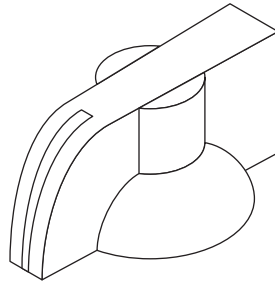


Date Last Revised: 03/20/15



Dimensions: mm (in.)

SPECIFICATIONS	
Standard screw size:	M4 x P0.7
Standard color:	black
Standard shaft size:	.25
RoHS Compliant by Exemption	

Available from Mouser Electronics
1-800-346-6873 / www.mouser.com

EPD-200534

Mouser Electronics

Authorized Distributor

Click to View Pricing, Inventory, Delivery & Lifecycle Information:

[Eagle Plastic Devices:](#)

[45KN012-GRX](#)