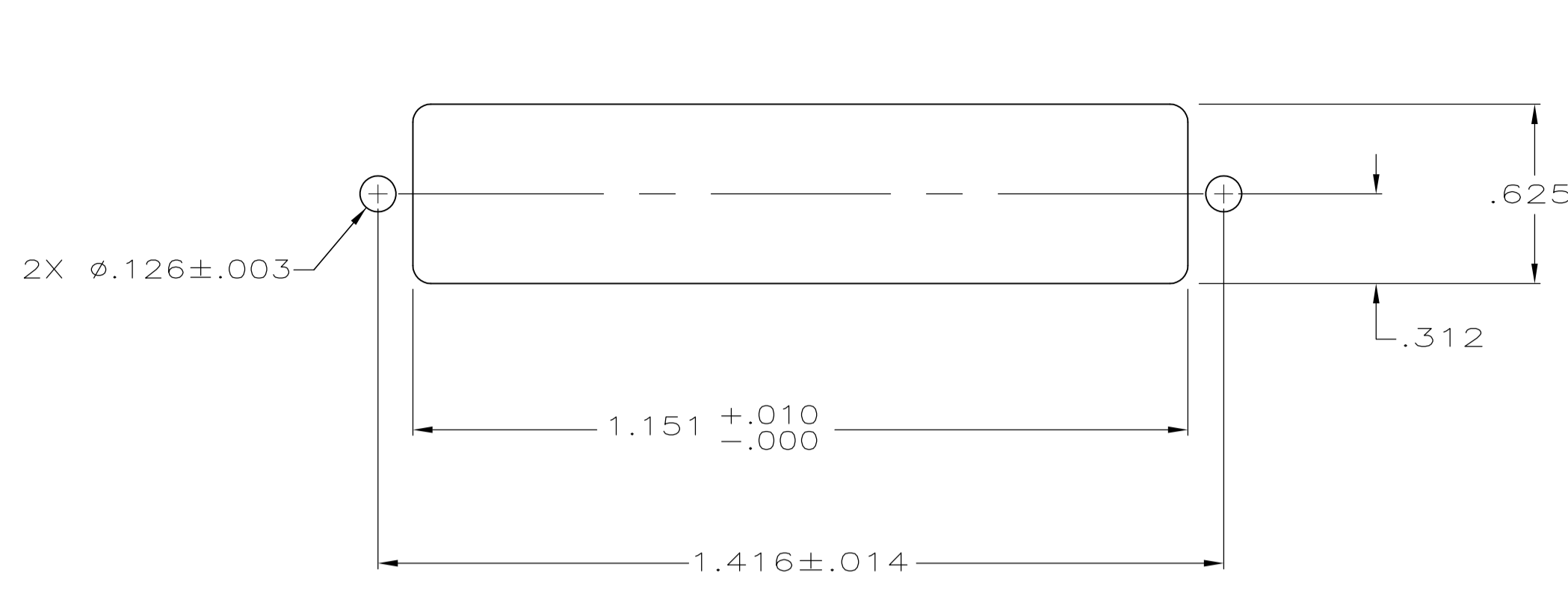
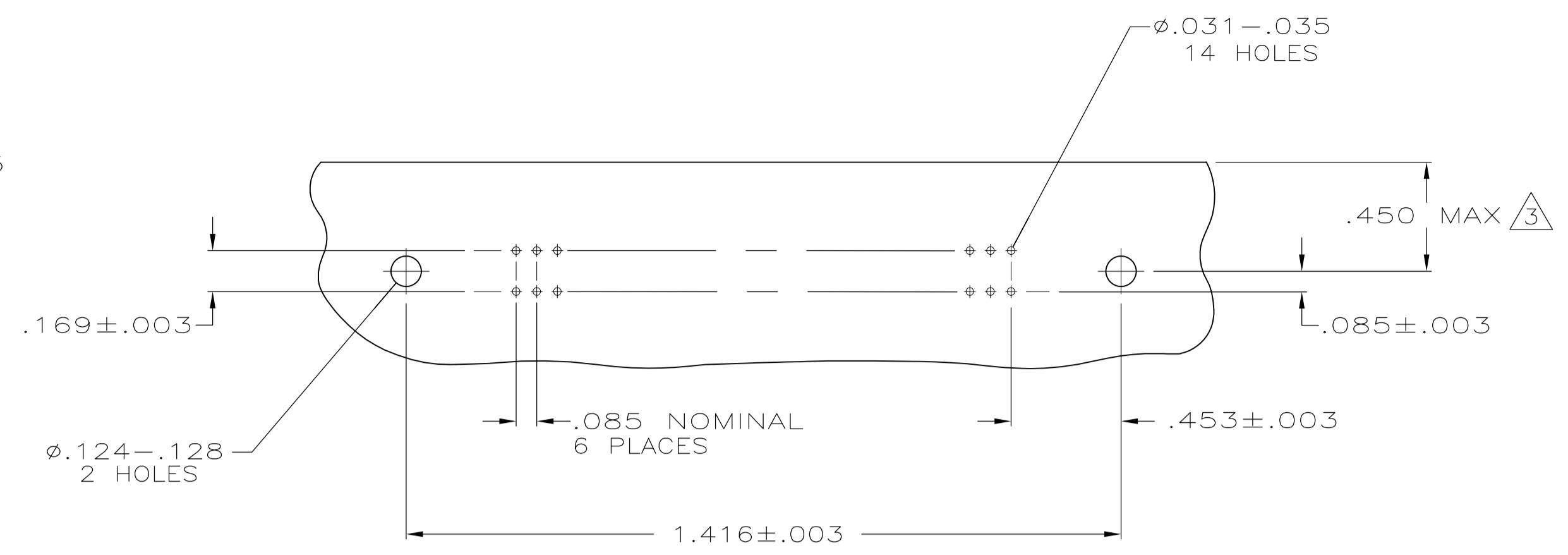


| LOC | DIST | REVISIONS |                           |         |        |
|-----|------|-----------|---------------------------|---------|--------|
| GP  | 00   | REV       | DESCRIPTION               | DATE    | BY     |
| B   |      | 1         | REVISED PER ECO-08-007327 | 08APR08 | BM WM  |
| B1  |      | 1         | REVISED PER ECO-09-024927 | 07NOV09 | KK AEG |

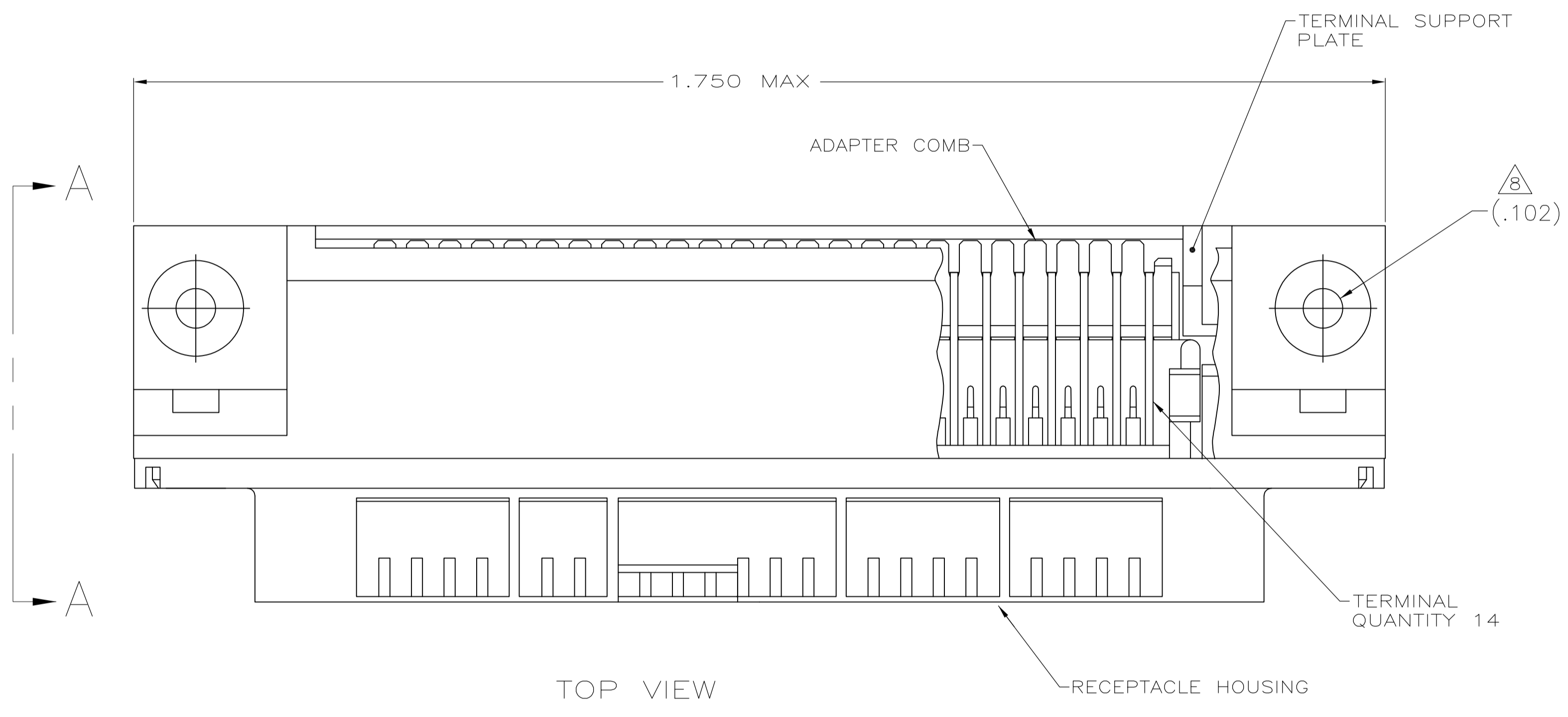


SUGGESTED REAR PANEL MOUNTING CUTOUT DIMENSIONS SCALE 2:1

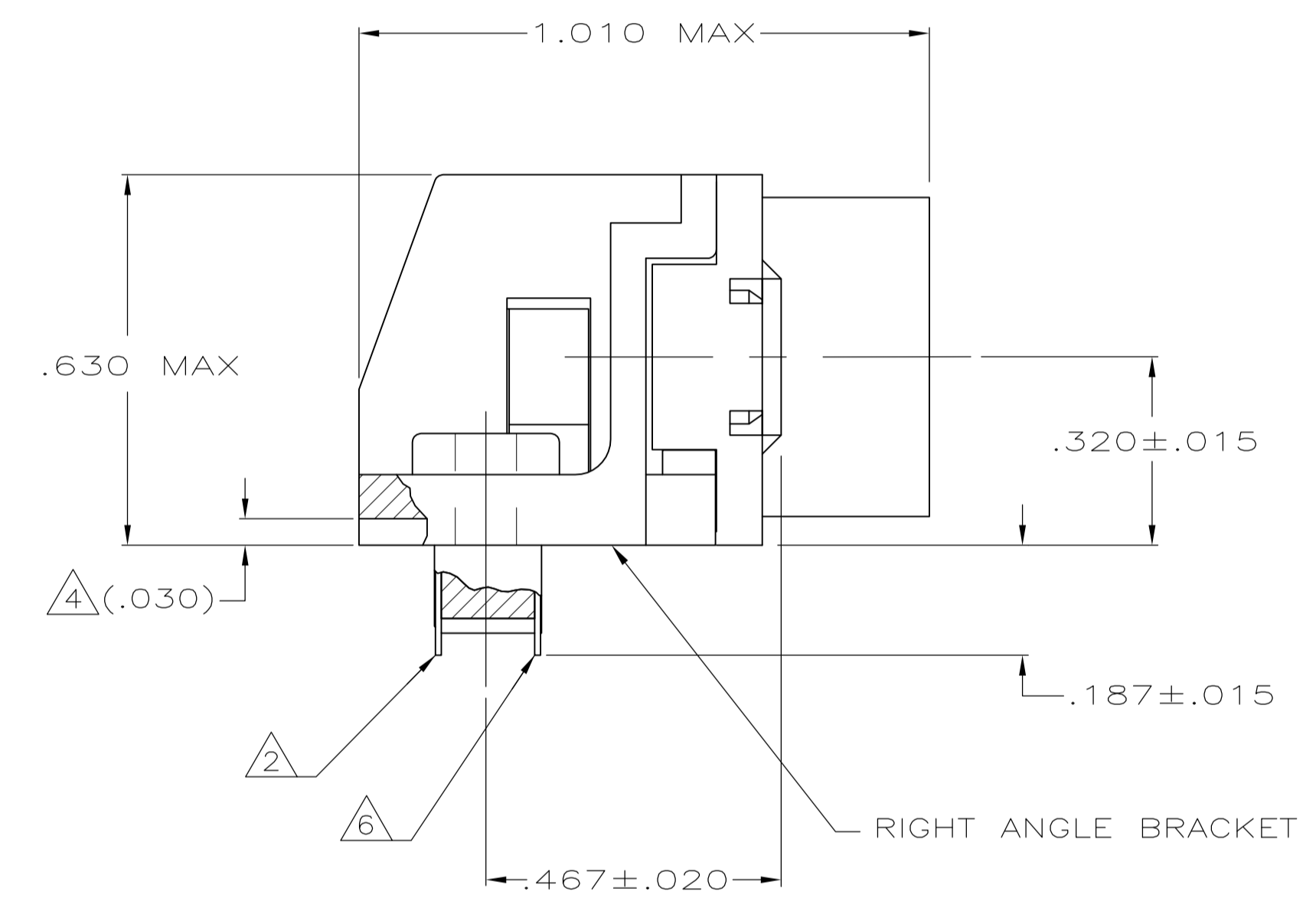


SUGGESTED PRINTED CIRCUIT BOARD MOUNTING DIMENSIONS SCALE 2:1

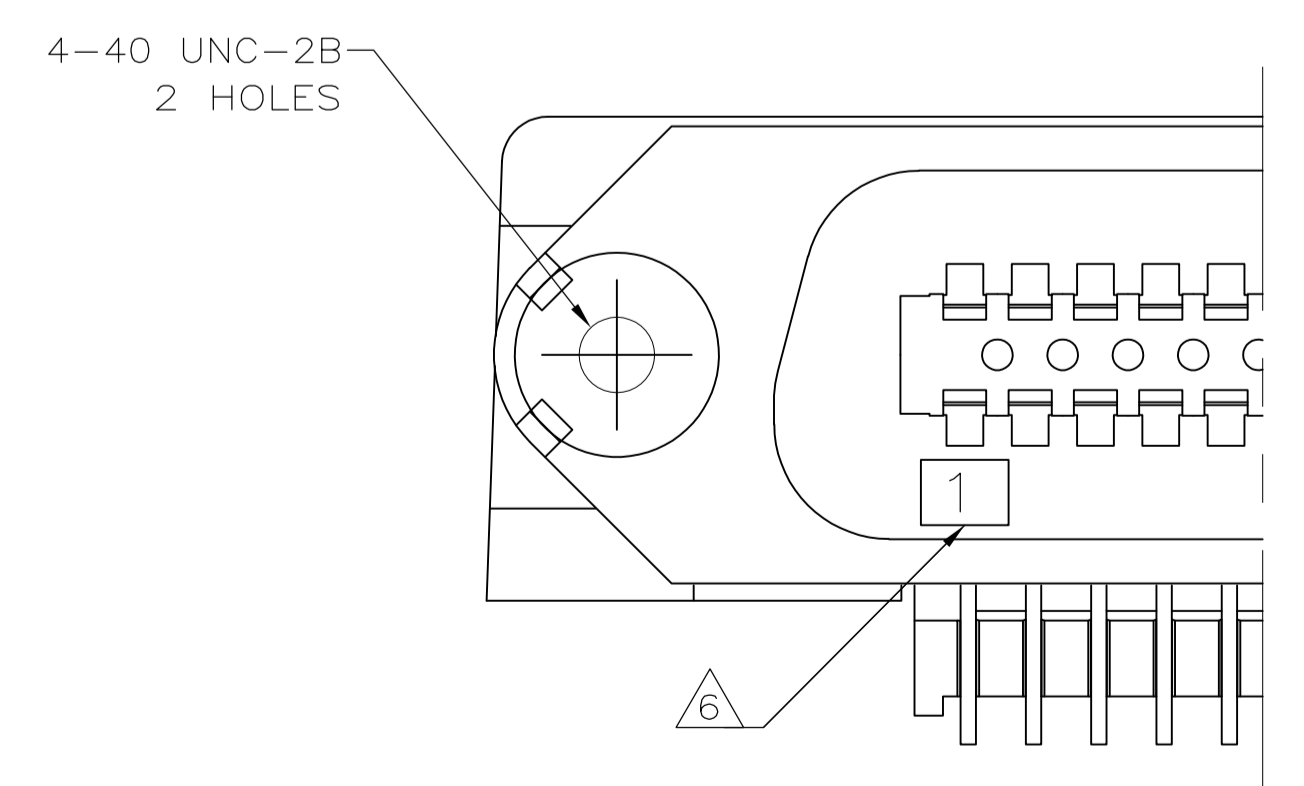
- 1 MATERIAL: HOUSING, BRACKET, PLATE & COMB - THERMOPLASTIC, BLACK, 94V-0 RATED. TERMINALS - HIGH STRENGTH COPPER ALLOY PLATED WITH EITHER .000030 MIN GOLD PLATE OR GOLD FLASH OVER PALLADIUM NICKEL PLATE, .000030 MIN TOTAL ON MATING SURFACE. .000120 MIN TIN PLATE ON TAILS. ALL OVER .000050 MIN NICKEL UNDERPLATE OVER ENTIRE TERMINAL.
- 2 TERMINAL 1 IS LOCATED IN THIS ROW FOR STANDARD ORIENTATION, 5552738-1 ONLY.
- 3 MAXIMUM DIMENSION FOR REAR PANEL MOUNTING.
- 4 TERMINAL SUPPORT PLATE CLEARANCE FOR TERMINAL STRAIN RELIEF AND FLUX REMOVAL.
- 5 MAXIMUM PANEL THICKNESS: .062.
- 6 TERMINAL 1 IS LOCATED IN THIS ROW FOR REVERSE ORIENTATION, 5552738-2 ONLY.
- 7 DETAILS "A" AND "B" ARE VIEWED FROM MATING SIDE OF RECEPTACLE ASSEMBLY.
- 8 FOR USE WITH A NO.4 BT TYPE SELF-TAPPING SCREW.
- 9 OBSOLETE PARTS: OBSOLETE CIS STREAMLINING PER D.RENAUD/D.SINISI



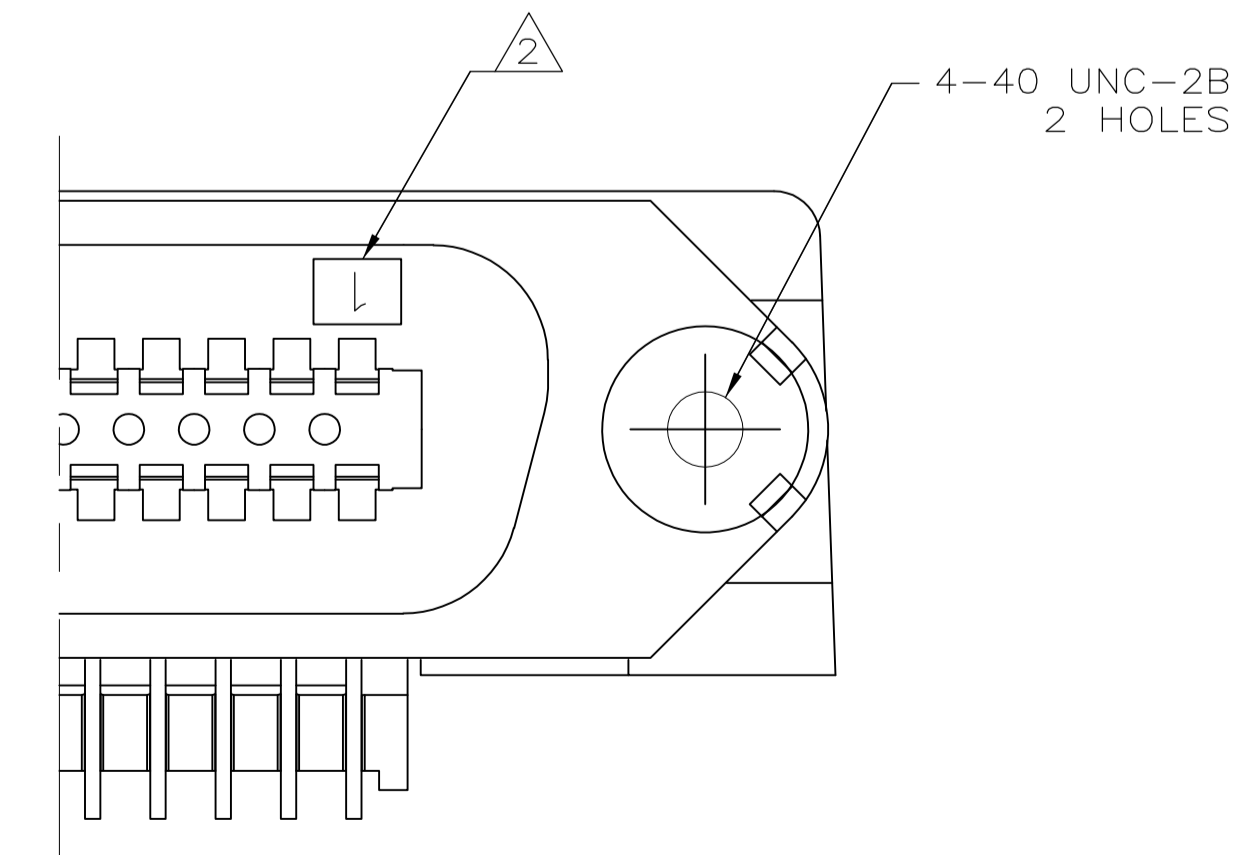
TOP VIEW



SIDE VIEW A-A



DETAIL B REVERSE ORIENTATION



DETAIL A STANDARD ORIENTATION

| TYPE OF MOUNTING | DESCRIPTION  | PART NUMBER |
|------------------|--------------|-------------|
| SELF TAPPING     | SEE DETAIL B | 5552738-2   |
| SELF TAPPING     | SEE DETAIL A | 5552738-1   |

|  |        |                          |   |  |
|--|--------|--------------------------|---|--|
| THIS DRAWING IS A CONTROLLED DOCUMENT. |        | DWG NO. MCMASTER 15AUG05 | Tyco Electronics Corporation<br>Harrisburg, PA 17105-3608 |  |
| DIMENSIONS: INCHES                     |        | CHK W. MILLHIMES 15AUG05 | NAME M. WALMSLEY 15AUG05                                  |  |
| TOLERANCES UNLESS OTHERWISE SPECIFIED: |        | PRODUCT SPEC             |   |  |
| 0. PLC                                 | ± .005 | APPLICATION SPEC         |   |  |
| 1. PLC                                 | ± .005 | SIZE                     |   |  |
| 2. PLC                                 | ± .005 | CAGE CODE                |   |  |
| 3. PLC                                 | ± .005 | DRAWING NO.              |   |  |
| 4. PLC                                 | ± .005 | RESTRICTED TO            |   |  |
| ANGLES                                 | ± .005 | WEIGHT                   |   |  |
| FINISH                                 |        | A1 00779C=5552738        |   |  |
| MATERIAL                               |        | CUSTOMER DRAWING         |   |  |
| SCALE 4:1                              |        | SHEET 1 OF 1             |   |  |
| REV B1                                 |        |                          |   |  |

# Mouser Electronics

Authorized Distributor

Click to View Pricing, Inventory, Delivery & Lifecycle Information:

[TE Connectivity:](#)

[5552738-1](#)