

UNSEALED / ungedichtet

SINGLE WIRE SEAL / Einzeldichtungssystem

TE ORDER NO. / STRIP FORM Bandwidth

REV. / DESIGN Ausführung

MATERIAL Werkstoff

SURFACE Oberfläche

WIRE RANGE Drahtgrößenbereich [mm²]

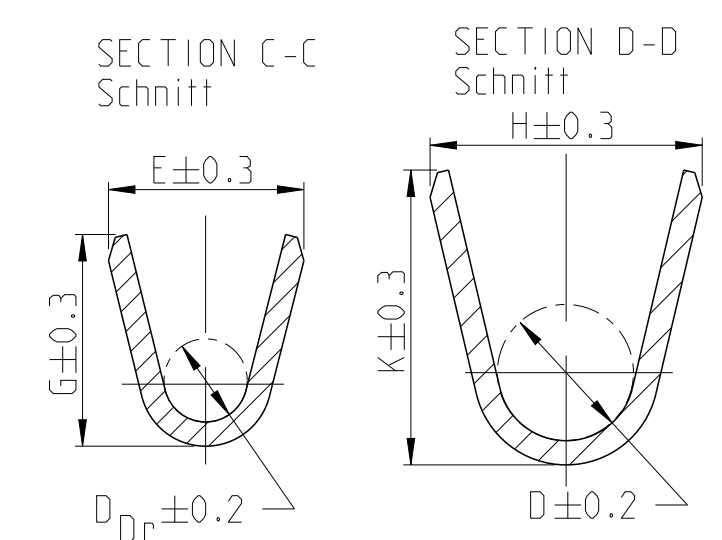
INSULATION Isolations Ø [mm]

STRIP FORM WIRE CRIMP DRUMMING BANDWARE / INSUL-CRIMP / ISO-CRIMP / BANDWARE

CRIMP DIMENSION (mm) / Crimpabmessungen (mm)

CRIMP DATA AND CRIMP TOOL / Crimpdaten u. Crimpwerkzeuge

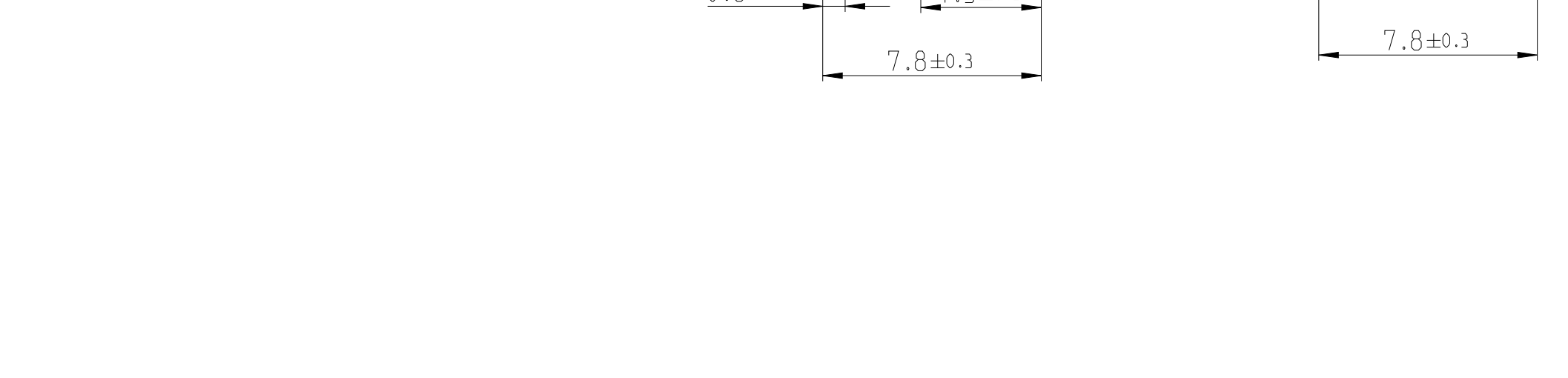
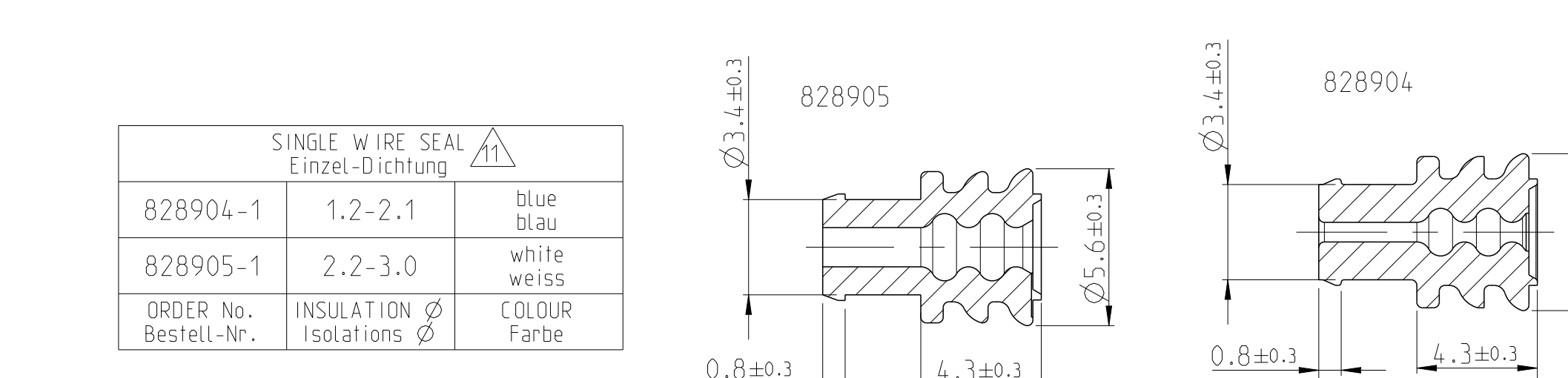
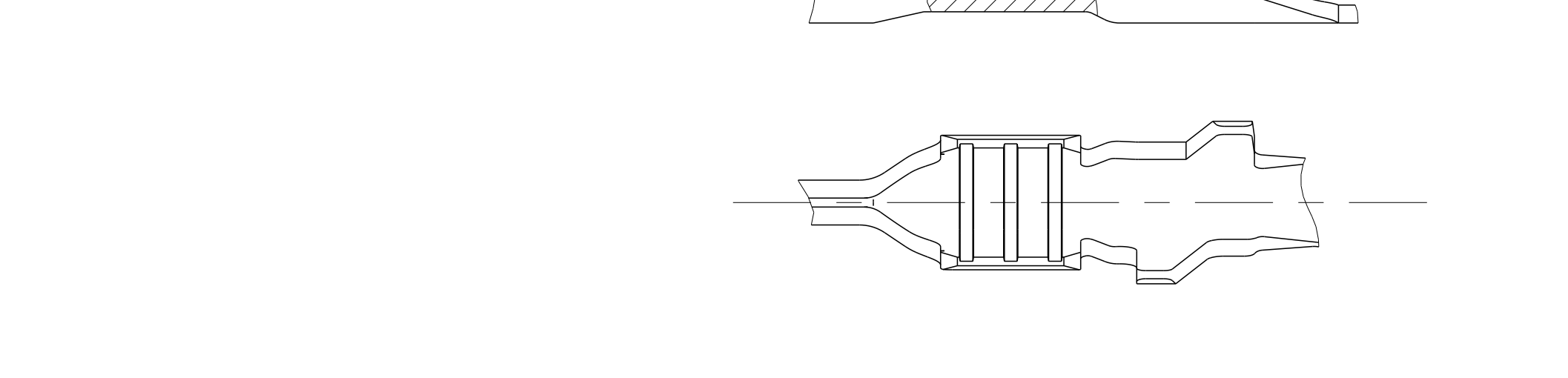
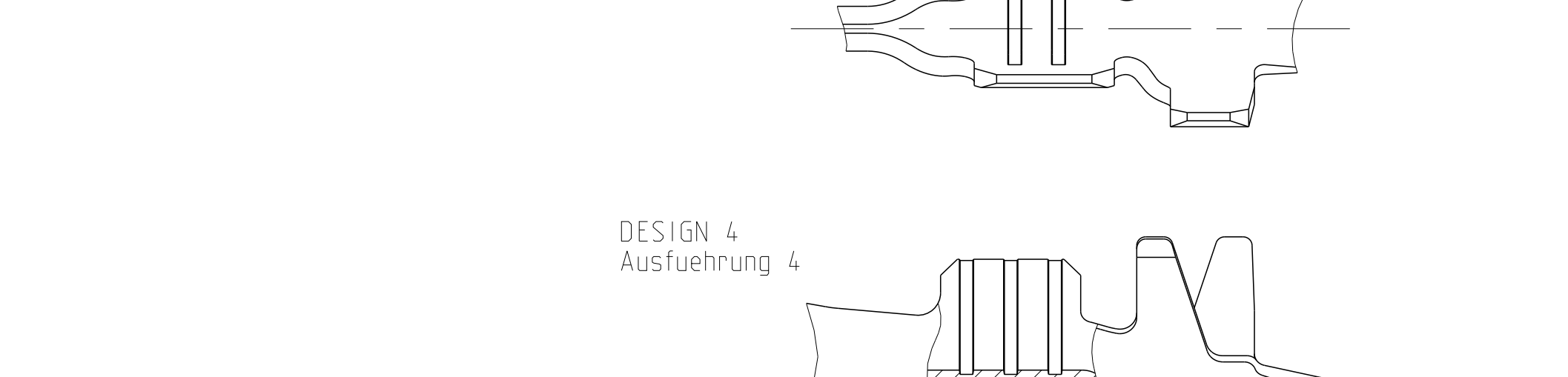
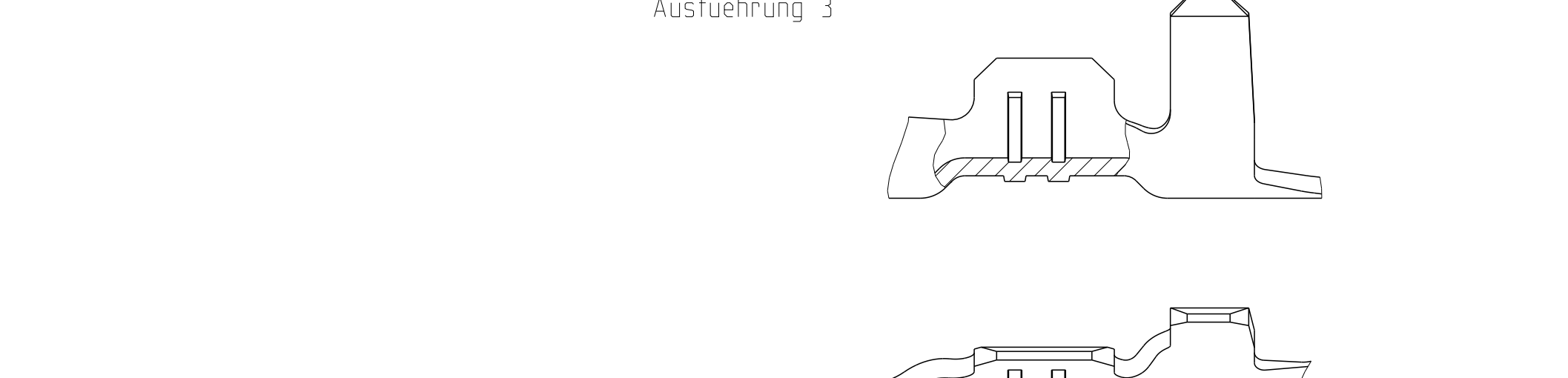
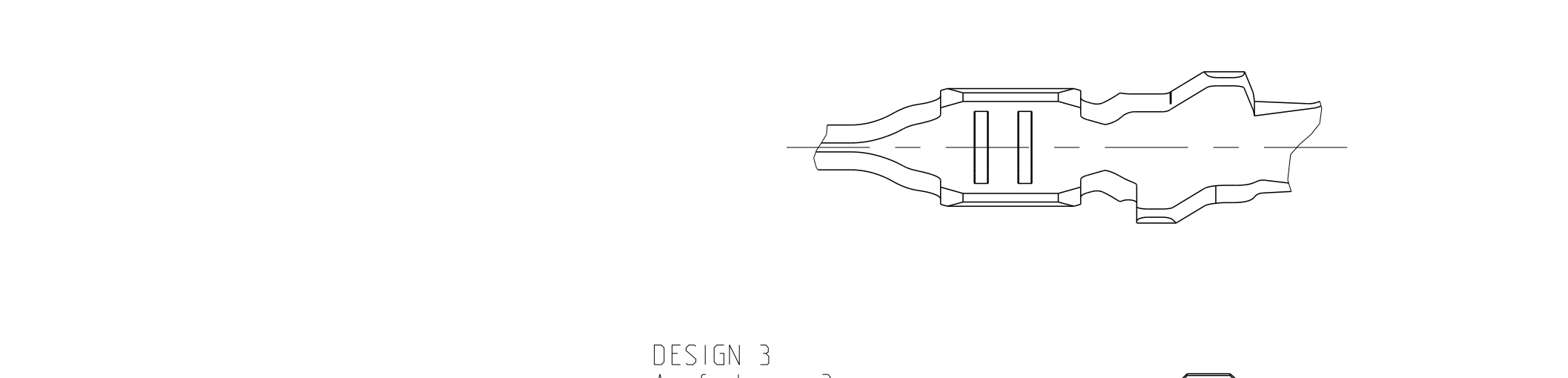
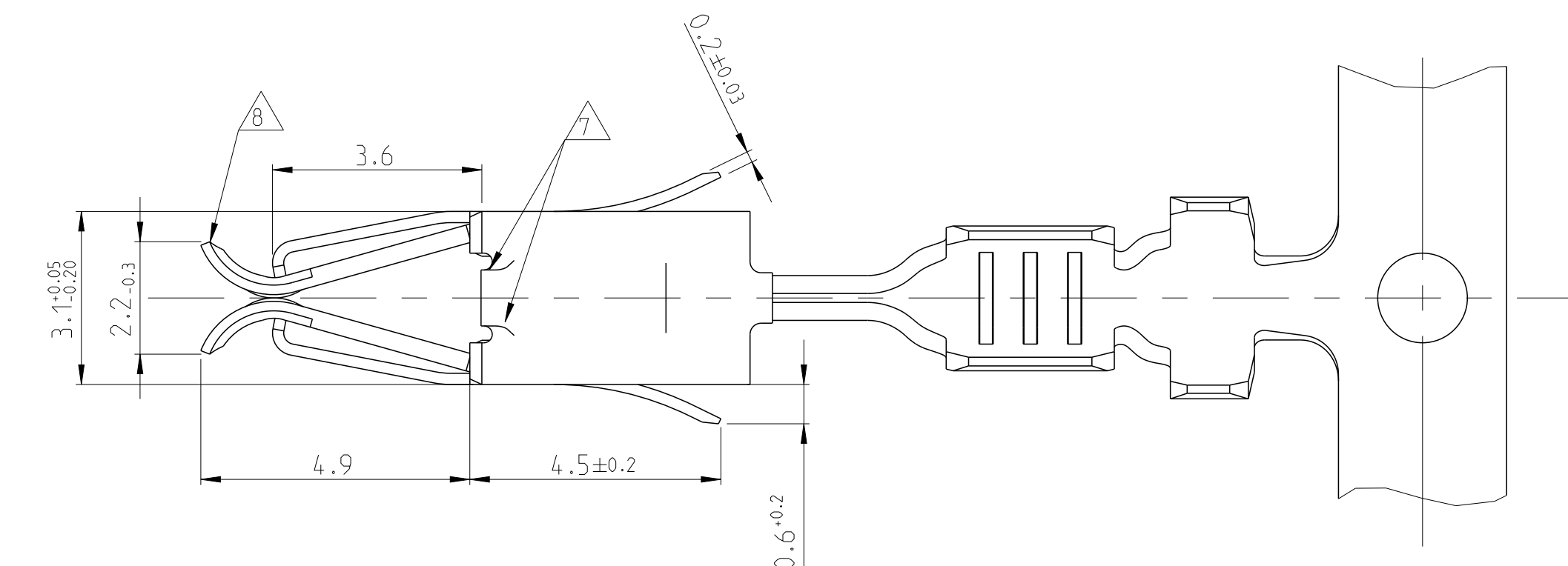
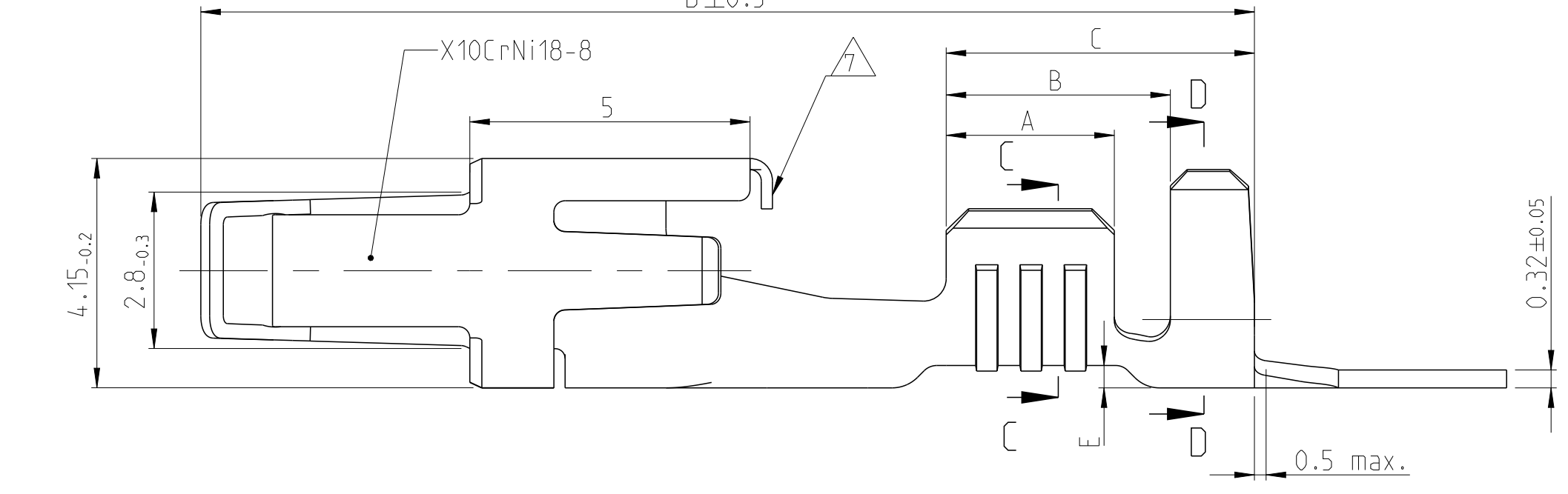
2024 13/13



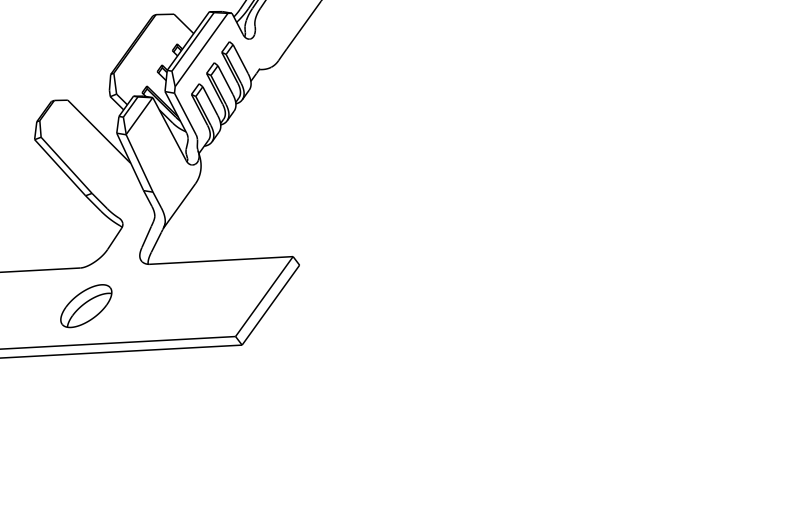
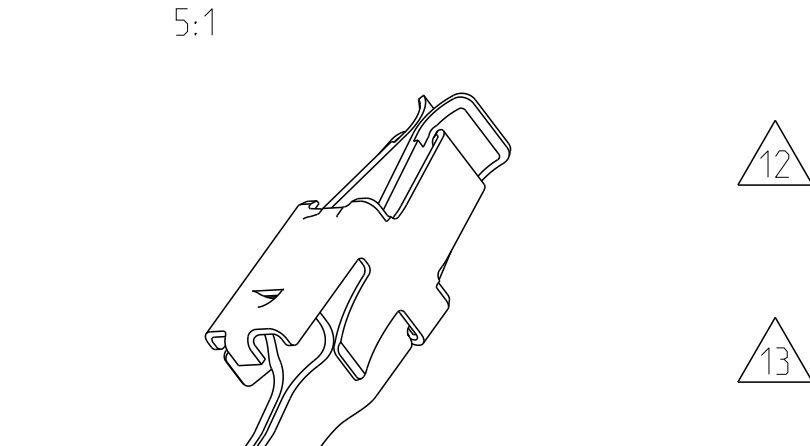
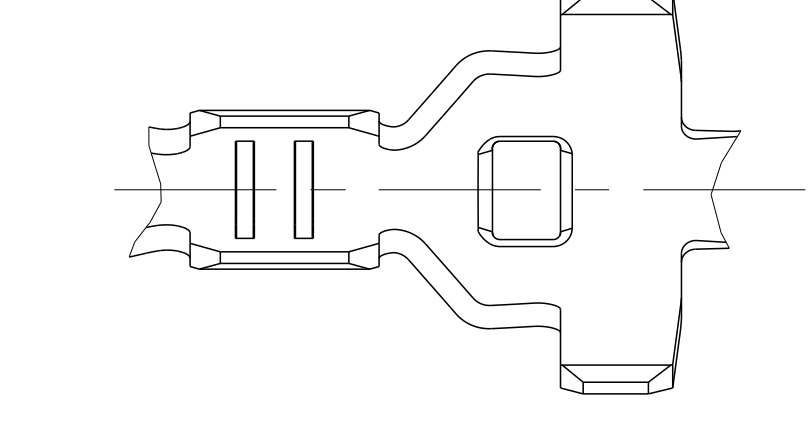
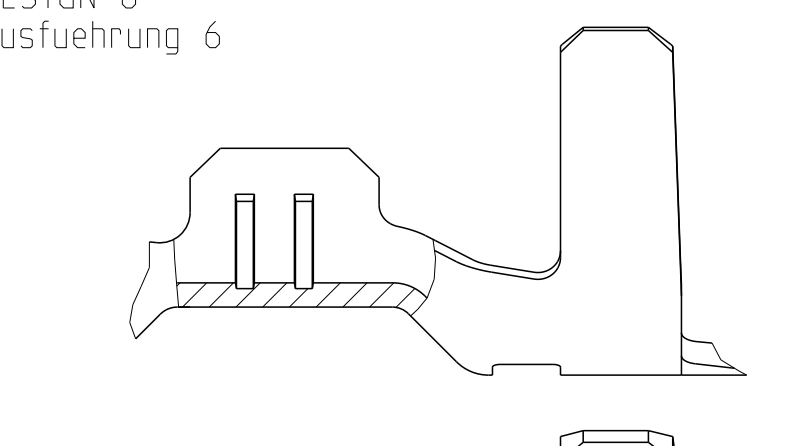
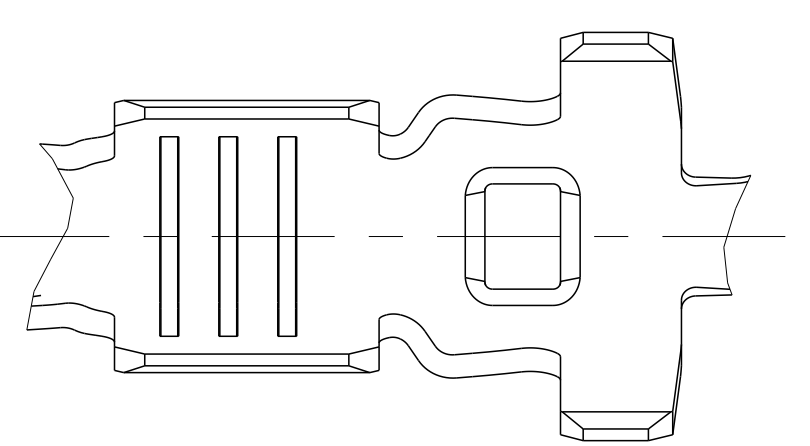
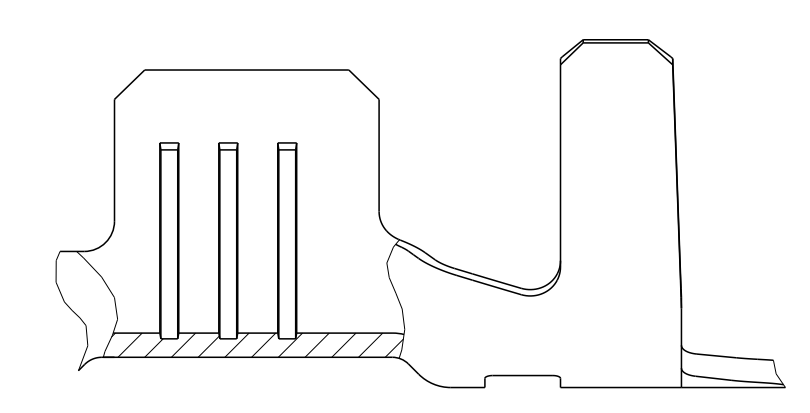
Main specification table with columns for Part Number, Material, Surface, Wire Range, Insulation, Crimp Form, Dimensions (A-E), and Crimp Data.

SEE APPLICATION - SPECIFICATION - SPECIFICATION - SPECIFICATION - SPECIFICATION 114-18050

DESIGN 1 Ausfuhrung 1



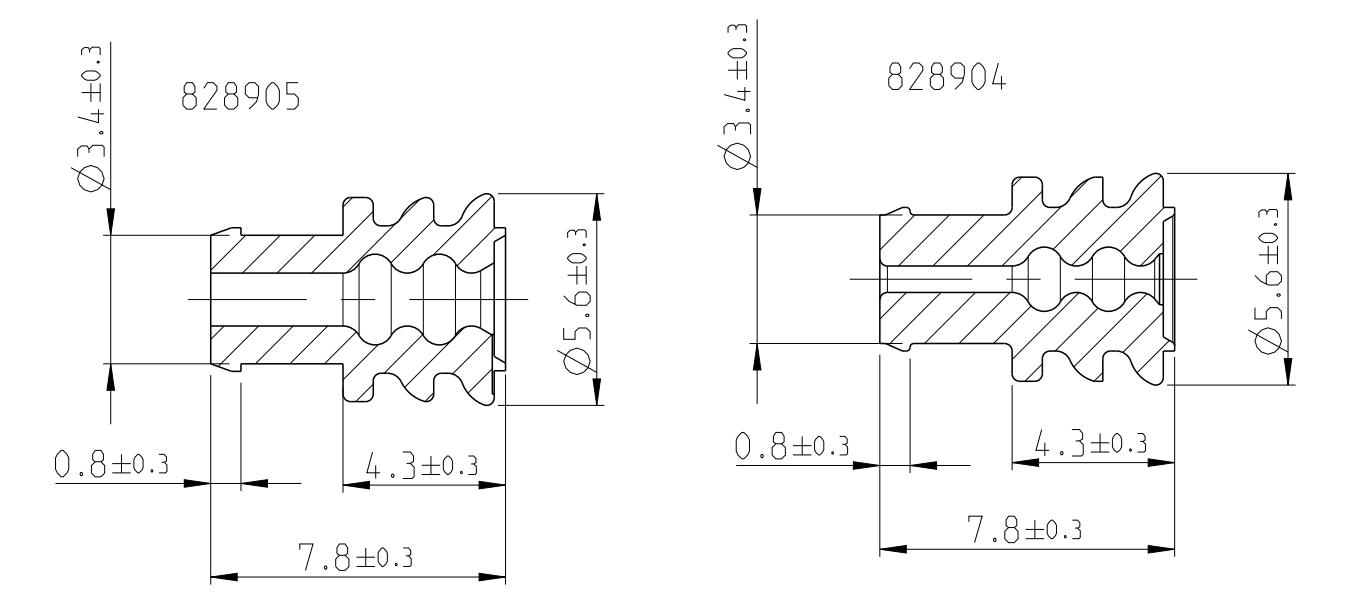
DESIGN 5 Ausfuhrung 5



NOTES

- Bemerkungen: CONTACT BODY PRE-SILVER PLATED MIN. 0.8µm, CONTACT ZONE SELECTIVE PRE-SILVER PLATED MIN. 3µm, CONTACT ZONE GOLD PLATED MIN. 0.8µm OVER MIN. 1.3µm NICKEL-LAYER, CANTILEVER SPRING INSIDE AND OUTSIDE 0.4-1.2µm GOLD PLATED, CONTACT BODY, CONTACT SPRING INSIDE AND CRIMP AREA MIN. 1µm TIN PLATED OVER NICKEL-LAYER, CONTACT ZONE AND TOUCHING AREA TO CANTILEVER SPRING MIN. 0.8µm SELECTIVE GOLD PLATED OVER 1.3µm NICKEL PLATED, CONTACT BODY AND CRIMP AREA MIN. 1µm TIN PLATED OVER NICKEL-LAYER, CONTACT OFF OPTIONAL, SAWAG ONLY FOR PN 929937, 929939, 929941, VARIANTS WITH GAP-SIZE 0.3mm (±0.1), CONTACTS DIPPED IN OR SPRAYED WITH LUBRICANT BARRIERTA, ACCORDING INSULATION DIA IS TO CHOOSE THE SINGLE WIRE SEAL, VARIANTS WITH GAP-SIZE 0.65mm (-0.1), VARIANTS WITH GAP-SIZE 0.15mm (-0.05).

Table for SINGLE WIRE SEAL Einzel-Dichtung with columns for Part No., Insulation Ø, and Colour.



Bottom right corner containing drawing controls, revision table, and drawing title 'PRODUCT GROUP DRAWING FOR JUNIOR POWER TIMER CONTACT'.

Mouser Electronics

Authorized Distributor

Click to View Pricing, Inventory, Delivery & Lifecycle Information:

[TE Connectivity:](#)

[928876-1](#)